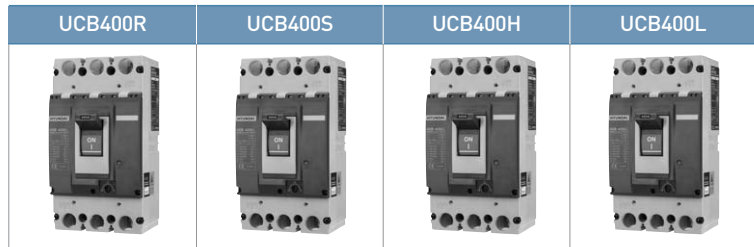


Specifications and Standard Order Codes

| UCB type / 400AF |

UCB400R 30kA
 UCB400S 42kA
 UCB400H 65kA
 UCB400L 100kA



| | | | | | | |
|---|---|---|-----------------------|-----------------|----------------------------|------------|
| Number of poles (P) | | *2, 3, 4 | | | | |
| Degree of protection (with terminal cover) | | IP20 | | | | |
| Utilization category | | A | | | | |
| Suitability of isolation | | O | | | | |
| Protection | | overload, inst., short-circuit | | | | |
| Rating | Rated current (A) | | 250,300,320,350,400 | | | |
| | Rated insulation voltage [Ui] (V) | | AC690 | | | |
| | Rated operational voltage [Ue] (V) | | AC660 DC250 | | | |
| | Rated impulse withstand voltage [Uimp] (kV) | | 6 | | | |
| Rated short-circuit breaking capacity IEC 60947-2 K 60947-2 | Ultimate [Icu] (kA r.m.s.) | AC600/660V, 50-60Hz | 18 | 22 | 25 | 30 |
| | | AC480/500V, 50-60Hz | 18 | 25 | 35 | 65 |
| | | AC440/460V, 50-60Hz | 25 | 35 | 50 | 85 |
| | | AC380/415V, 50-60Hz | 30 | 42 | 65 | 100 |
| | | AC220/240V, 50-60Hz | 35 | 50 | 85 | 125 |
| | DC250V | 14 | 25 | 40 | 40 | |
| | DC125V | 20 | 30 | 50 | 60 | |
| Service [Ics] % of [Icu] | | 50 | | | | |
| Trip mechanism & Protection characteristics | Thermal magnetic | Fixed thermal, Fixed instantaneous | INST | O | | |
| | | | LTD | 10×In | | |
| | | Adjustable thermal, Fixed instantaneous | INST | (0.8×0.9×1)×In | | |
| Mounting | Direct mounting by screw | | O | | | |
| | Plug-in | for Switchboard | Both line & load side | O ¹⁾ | | |
| | | Line side only | O ¹⁾ | | | |
| Terminal connection | | Screw | O | | | |
| | | Bus bar | O | | | |
| Durability (times) | Mechanical operation | | 20,000 | | | |
| | Electrical operation | | 6,000 | | | |
| Dimensions (mm) | | 2/3/4P | a | Width | 140 ²⁾ /140/185 | |
| | | | b | Height | 257 | |
| | | | c | Depth | 110 | |
| | | | d | | 145 | |
| Weight (kg, breaker only) | | 2/3/4P | 4/4.5/5.4 | | | |

* - The breaking capacity highlighted with blue and thick type is standard nominal value for each model in this catalogue.

1) Available for 3P breaker

2) *2P breaker has same dimension with 3P breaker, but the middle pole is removed.

Accessories

• Signal

| | | | | | | |
|----------------------------------|---------------------|------------|------------|------------|------------|------------|
| Auxiliary switch | 1ab, Left-hand-side | | | | | |
| | AUX 46D L1 | | | | | |
| Trip alarm switch | 1ab, Left-hand-side | | | | | |
| | ALT 46D L1 | | | | | |
| Shunt trip ¹⁾ | DC24V | DC100-110V | AC100-120V | AC200-230V | AC380-415V | AC440-480V |
| | SHT 46D A | SHT 46D C | SHT 46D F | SHT 46D H | SHT 46D B | SHT 46D D |
| Under voltage trip ²⁾ | DC24V | DC100-110V | AC100-120V | AC200-230V | AC380-415V | AC440-480V |
| | *UVT 46D J | *UVT 46D L | *UVT 46D N | *UVT 46D P | *UVT 46D Q | *UVT 46D R |

- ※ 1) The permissible operating voltage: 85-110% of rated voltage for AC , 75-125% for DC
- 2) The permissible operating voltage: 85-110% of rated voltage(AC), 85-125% of rated voltage(DC)
The tripping voltage: 20-70% of rated voltage(AC/DC)
*Reset is possible without power.

• Operating

| | | | | | |
|--------------------------------|------------------------|---------|----------------|----------------|-------------|
| Operating handle ¹⁾ | Power supply direction | | Upper | Right | Left |
| | Surface | S type | TFG 46DS U2 | TFG 46DS R2 | TFG 46DS L2 |
| | Extended | S type | TFH 46DS | | |
| Motor operator ²⁾ | DC24V | | AC/DC110V | AC/DC220V | |
| | MOT 40D DC24 | | MOT 40D ADC110 | MOT 40D ADC220 | |
| Extension handle ³⁾ | | THA 46D | | | |

- ※ 1) For detail type information, please refer to page no. 191-199.
- 2) Motor operator is not recommended for marine application.
- 3) Supplied as standard component

• Mounting

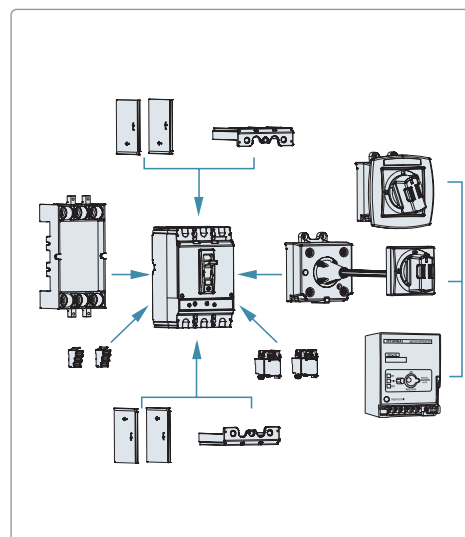
| | | | | |
|---------|---------------|------------|---------------------------|--------------------|
| Plug-in | Structure | | For both line & load side | For line side only |
| | Mounting base | | TDM 4BA ¹⁾ | TDM 4BA |
| | Connection | 2C contact | TYA 5/2 ²⁾ | — |
| | block | 5C contact | TYA 5/5 ²⁾ | — |

- ※ Available for 3P breaker
Connection blocks are required for internal accessory installation in both line & load side plug-in type 3P breaker.
- 1) 2EA are required for both line & load side plug-in type 3 pole MCCB.
- 2) TYA type connection blocks are to be installed with separate mounting angle. Separate mounting angle is not supplied.

• Terminal

| | | | |
|---------------------------------|------------------|------------------|------------------|
| Terminal bus bar | 2 pole (4EA/SET) | 3 pole (6EA/SET) | 4 pole (8EA/SET) |
| | | TBB 4S 2 | TBB 4S 3 |
| Interpole barrier ¹⁾ | 2EA/SET | TQQ 4BA | |

- ※ 1) Supplied as standard component
Required quantity for both line and load side of MCCB: 2 pole 4EA, 3 pole 4EA, 4 pole 6EA



Specifications and Standard Order Codes

| Standard order code and unit |

- Fixed thermal & fixed instantaneous / Thermal magnetic trip

40/45°C

| Model / Breaking capacity at AC380 / 415V | Rated current | 2 pole | | 3 pole | | 4 pole | | Specification | Category |
|---|------------------|--------------------------|--------------|--------------------------|--------------|--------------------------|--------------|--|-------------|
| | | Code | Unit (EA) | Code | Unit (EA) | Code | Unit (EA) | | |
| UCB400R 30kA | 250A | UCB400R 2PT4S0000C 00250 | | UCB400R 3PT4S0000C 00250 | | UCB400R 4PT4S0000C 00250 | | 40/45°C, Screw type terminal connection, No option, 50/60Hz | MCCB /M2 |
| | 300A | UCB400R 2PT4S0000C 00300 | | UCB400R 3PT4S0000C 00300 | | UCB400R 4PT4S0000C 00300 | | | |
| | 320A | UCB400R 2PT4S0000C 00320 | | UCB400R 3PT4S0000C 00320 | | UCB400R 4PT4S0000C 00320 | | | |
| | 350A | UCB400R 2PT4S0000C 00350 | | UCB400R 3PT4S0000C 00350 | | UCB400R 4PT4S0000C 00350 | | | |
| | 400A | UCB400R 2PT4S0000C 00400 | | UCB400R 3PT4S0000C 00400 | | UCB400R 4PT4S0000C 00400 | | | |
| UCB400S 42kA | 250A | UCB400S 2PT4S0000C 00250 | | UCB400S 3PT4S0000C 00250 | | UCB400S 4PT4S0000C 00250 | | | |
| | 300A | UCB400S 2PT4S0000C 00300 | | UCB400S 3PT4S0000C 00300 | | UCB400S 4PT4S0000C 00300 | | | |
| | 320A | UCB400S 2PT4S0000C 00320 | | UCB400S 3PT4S0000C 00320 | | UCB400S 4PT4S0000C 00320 | | | |
| | 350A | UCB400S 2PT4S0000C 00350 | | UCB400S 3PT4S0000C 00350 | | UCB400S 4PT4S0000C 00350 | | | |
| | 400A | UCB400S 2PT4S0000C 00400 | | UCB400S 3PT4S0000C 00400 | | UCB400S 4PT4S0000C 00400 | | | |
| UCB400H 65kA | 250A | UCB400H 2PT4S0000C 00250 | | UCB400H 3PT4S0000C 00250 | | UCB400H 4PT4S0000C 00250 | | | |
| | 300A | UCB400H 2PT4S0000C 00300 | | UCB400H 3PT4S0000C 00300 | | UCB400H 4PT4S0000C 00300 | | | |
| | 320A | UCB400H 2PT4S0000C 00320 | | UCB400H 3PT4S0000C 00320 | | UCB400H 4PT4S0000C 00320 | | | |
| | 350A | UCB400H 2PT4S0000C 00350 | | UCB400H 3PT4S0000C 00350 | | UCB400H 4PT4S0000C 00350 | | | |
| | 400A | UCB400H 2PT4S0000C 00400 | | UCB400H 3PT4S0000C 00400 | | UCB400H 4PT4S0000C 00400 | | | |
| UCB400L 100kA | 250A | UCB400L 2PT4S0000C 00250 | | UCB400L 3PT4S0000C 00250 | | UCB400L 4PT4S0000C 00250 | | | |
| | 300A | UCB400L 2PT4S0000C 00300 | | UCB400L 3PT4S0000C 00300 | | UCB400L 4PT4S0000C 00300 | | | |
| | 320A | UCB400L 2PT4S0000C 00320 | | UCB400L 3PT4S0000C 00320 | | UCB400L 4PT4S0000C 00320 | | | |
| | 350A | UCB400L 2PT4S0000C 00350 | | UCB400L 3PT4S0000C 00350 | | UCB400L 4PT4S0000C 00350 | | | |
| | 400A | UCB400L 2PT4S0000C 00400 | | UCB400L 3PT4S0000C 00400 | | UCB400L 4PT4S0000C 00400 | | | |

50°C

| Model / Breaking capacity at AC380 / 415V | Rated current | 2 pole | | 3 pole | | 4 pole | | Specification | Category |
|---|------------------|--------------------------|--------------|--------------------------|--------------|--------------------------|--------------|---|-------------|
| | | Code | Unit (EA) | Code | Unit (EA) | Code | Unit (EA) | | |
| UCB400R 30kA | 250A | UCB400R 2PT5S0000C 00250 | | UCB400R 3PT5S0000C 00250 | | UCB400R 4PT5S0000C 00250 | | 50°C, Screw type terminal connection, No option, 50/60Hz | MCCB /M2 |
| | 300A | UCB400R 2PT5S0000C 00300 | | UCB400R 3PT5S0000C 00300 | | UCB400R 4PT5S0000C 00300 | | | |
| | 320A | UCB400R 2PT5S0000C 00320 | | UCB400R 3PT5S0000C 00320 | | UCB400R 4PT5S0000C 00320 | | | |
| | 350A | UCB400R 2PT5S0000C 00350 | | UCB400R 3PT5S0000C 00350 | | UCB400R 4PT5S0000C 00350 | | | |
| | 400A | UCB400R 2PT5S0000C 00400 | | UCB400R 3PT5S0000C 00400 | | UCB400R 4PT5S0000C 00400 | | | |
| UCB400S 42kA | 250A | UCB400S 2PT5S0000C 00250 | | UCB400S 3PT5S0000C 00250 | | UCB400S 4PT5S0000C 00250 | | | |
| | 300A | UCB400S 2PT5S0000C 00300 | | UCB400S 3PT5S0000C 00300 | | UCB400S 4PT5S0000C 00300 | | | |
| | 320A | UCB400S 2PT5S0000C 00320 | | UCB400S 3PT5S0000C 00320 | | UCB400S 4PT5S0000C 00320 | | | |
| | 350A | UCB400S 2PT5S0000C 00350 | | UCB400S 3PT5S0000C 00350 | | UCB400S 4PT5S0000C 00350 | | | |
| | 400A | UCB400S 2PT5S0000C 00400 | | UCB400S 3PT5S0000C 00400 | | UCB400S 4PT5S0000C 00400 | | | |
| UCB400H 65kA | 250A | UCB400H 2PT5S0000C 00250 | | UCB400H 3PT5S0000C 00250 | | UCB400H 4PT5S0000C 00250 | | | |
| | 300A | UCB400H 2PT5S0000C 00300 | | UCB400H 3PT5S0000C 00300 | | UCB400H 4PT5S0000C 00300 | | | |
| | 320A | UCB400H 2PT5S0000C 00320 | | UCB400H 3PT5S0000C 00320 | | UCB400H 4PT5S0000C 00320 | | | |
| | 350A | UCB400H 2PT5S0000C 00350 | | UCB400H 3PT5S0000C 00350 | | UCB400H 4PT5S0000C 00350 | | | |
| | 400A | UCB400H 2PT5S0000C 00400 | | UCB400H 3PT5S0000C 00400 | | UCB400H 4PT5S0000C 00400 | | | |
| UCB400L 100kA | 250A | UCB400L 2PT5S0000C 00250 | | UCB400L 3PT5S0000C 00250 | | UCB400L 4PT5S0000C 00250 | | | |
| | 300A | UCB400L 2PT5S0000C 00300 | | UCB400L 3PT5S0000C 00300 | | UCB400L 4PT5S0000C 00300 | | | |
| | 320A | UCB400L 2PT5S0000C 00320 | | UCB400L 3PT5S0000C 00320 | | UCB400L 4PT5S0000C 00320 | | | |
| | 350A | UCB400L 2PT5S0000C 00350 | | UCB400L 3PT5S0000C 00350 | | UCB400L 4PT5S0000C 00350 | | | |
| | 400A | UCB400L 2PT5S0000C 00400 | | UCB400L 3PT5S0000C 00400 | | UCB400L 4PT5S0000C 00400 | | | |

- Adjustable thermal & fixed instantaneous / Thermal magnetic trip

40/45°C

| Model / Breaking capacity at AC380 / 415V | Rated current | 2 pole | | 3 pole | | 4 pole | | Specification | Category |
|---|------------------|---------------------------|--------------|---------------------------|--------------|---------------------------|--------------|--|-------------|
| | | Code | Unit (EA) | Code | Unit (EA) | Code | Unit (EA) | | |
| UCB400R 30kA | 250A | UCB400R 2PT4S0000C 00250F | | UCB400R 3PT4S0000C 00250F | | UCB400R 4PT4S0000C 00250F | | 40/45°C, Screw type terminal connection, No option, 50/60Hz | MCCB /M2 |
| | 300A | UCB400R 2PT4S0000C 00300F | | UCB400R 3PT4S0000C 00300F | | UCB400R 4PT4S0000C 00300F | | | |
| | 320A | UCB400R 2PT4S0000C 00320F | | UCB400R 3PT4S0000C 00320F | | UCB400R 4PT4S0000C 00320F | | | |
| | 350A | UCB400R 2PT4S0000C 00350F | | UCB400R 3PT4S0000C 00350F | | UCB400R 4PT4S0000C 00350F | | | |
| | 400A | UCB400R 2PT4S0000C 00400F | | UCB400R 3PT4S0000C 00400F | | UCB400R 4PT4S0000C 00400F | | | |
| UCB400S 42kA | 250A | UCB400S 2PT4S0000C 00250F | | UCB400S 3PT4S0000C 00250F | | UCB400S 4PT4S0000C 00250F | | | |
| | 300A | UCB400S 2PT4S0000C 00300F | | UCB400S 3PT4S0000C 00300F | | UCB400S 4PT4S0000C 00300F | | | |
| | 320A | UCB400S 2PT4S0000C 00320F | | UCB400S 3PT4S0000C 00320F | | UCB400S 4PT4S0000C 00320F | | | |
| | 350A | UCB400S 2PT4S0000C 00350F | | UCB400S 3PT4S0000C 00350F | | UCB400S 4PT4S0000C 00350F | | | |
| | 400A | UCB400S 2PT4S0000C 00400F | | UCB400S 3PT4S0000C 00400F | | UCB400S 4PT4S0000C 00400F | | | |
| UCB400H 65kA | 250A | UCB400H 2PT4S0000C 00250F | | UCB400H 3PT4S0000C 00250F | | UCB400H 4PT4S0000C 00250F | | | |
| | 300A | UCB400H 2PT4S0000C 00300F | | UCB400H 3PT4S0000C 00300F | | UCB400H 4PT4S0000C 00300F | | | |
| | 320A | UCB400H 2PT4S0000C 00320F | | UCB400H 3PT4S0000C 00320F | | UCB400H 4PT4S0000C 00320F | | | |
| | 350A | UCB400H 2PT4S0000C 00350F | | UCB400H 3PT4S0000C 00350F | | UCB400H 4PT4S0000C 00350F | | | |
| | 400A | UCB400H 2PT4S0000C 00400F | | UCB400H 3PT4S0000C 00400F | | UCB400H 4PT4S0000C 00400F | | | |
| UCB400L 100kA | 250A | UCB400L 2PT4S0000C 00250F | | UCB400L 3PT4S0000C 00250F | | UCB400L 4PT4S0000C 00250F | | | |
| | 300A | UCB400L 2PT4S0000C 00300F | | UCB400L 3PT4S0000C 00300F | | UCB400L 4PT4S0000C 00300F | | | |
| | 320A | UCB400L 2PT4S0000C 00320F | | UCB400L 3PT4S0000C 00320F | | UCB400L 4PT4S0000C 00320F | | | |
| | 350A | UCB400L 2PT4S0000C 00350F | | UCB400L 3PT4S0000C 00350F | | UCB400L 4PT4S0000C 00350F | | | |
| | 400A | UCB400L 2PT4S0000C 00400F | | UCB400L 3PT4S0000C 00400F | | UCB400L 4PT4S0000C 00400F | | | |

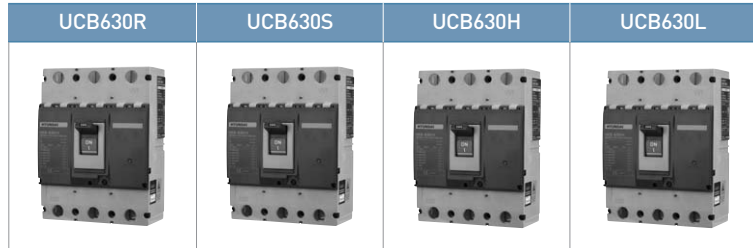
50°C

| Model / Breaking capacity at AC380 / 415V | Rated current | 2 pole | | 3 pole | | 4 pole | | Specification | Category |
|---|------------------|---------------------------|--------------|---------------------------|--------------|---------------------------|--------------|---|-------------|
| | | Code | Unit (EA) | Code | Unit (EA) | Code | Unit (EA) | | |
| UCB400R 30kA | 250A | UCB400R 2PT5S0000C 00250F | | UCB400R 3PT5S0000C 00250F | | UCB400R 4PT5S0000C 00250F | | 50°C, Screw type terminal connection, No option, 50/60Hz | MCCB /M2 |
| | 300A | UCB400R 2PT5S0000C 00300F | | UCB400R 3PT5S0000C 00300F | | UCB400R 4PT5S0000C 00300F | | | |
| | 320A | UCB400R 2PT5S0000C 00320F | | UCB400R 3PT5S0000C 00320F | | UCB400R 4PT5S0000C 00320F | | | |
| | 350A | UCB400R 2PT5S0000C 00350F | | UCB400R 3PT5S0000C 00350F | | UCB400R 4PT5S0000C 00350F | | | |
| | 400A | UCB400R 2PT5S0000C 00400F | | UCB400R 3PT5S0000C 00400F | | UCB400R 4PT5S0000C 00400F | | | |
| UCB400S 42kA | 250A | UCB400S 2PT5S0000C 00250F | | UCB400S 3PT5S0000C 00250F | | UCB400S 4PT5S0000C 00250F | | | |
| | 300A | UCB400S 2PT5S0000C 00300F | | UCB400S 3PT5S0000C 00300F | | UCB400S 4PT5S0000C 00300F | | | |
| | 320A | UCB400S 2PT5S0000C 00320F | | UCB400S 3PT5S0000C 00320F | | UCB400S 4PT5S0000C 00320F | | | |
| | 350A | UCB400S 2PT5S0000C 00350F | | UCB400S 3PT5S0000C 00350F | | UCB400S 4PT5S0000C 00350F | | | |
| | 400A | UCB400S 2PT5S0000C 00400F | | UCB400S 3PT5S0000C 00400F | | UCB400S 4PT5S0000C 00400F | | | |
| UCB400H 65kA | 250A | UCB400H 2PT5S0000C 00250F | | UCB400H 3PT5S0000C 00250F | | UCB400H 4PT5S0000C 00250F | | | |
| | 300A | UCB400H 2PT5S0000C 00300F | | UCB400H 3PT5S0000C 00300F | | UCB400H 4PT5S0000C 00300F | | | |
| | 320A | UCB400H 2PT5S0000C 00320F | | UCB400H 3PT5S0000C 00320F | | UCB400H 4PT5S0000C 00320F | | | |
| | 350A | UCB400H 2PT5S0000C 00350F | | UCB400H 3PT5S0000C 00350F | | UCB400H 4PT5S0000C 00350F | | | |
| | 400A | UCB400H 2PT5S0000C 00400F | | UCB400H 3PT5S0000C 00400F | | UCB400H 4PT5S0000C 00400F | | | |
| UCB400L 100kA | 250A | UCB400L 2PT5S0000C 00250F | | UCB400L 3PT5S0000C 00250F | | UCB400L 4PT5S0000C 00250F | | | |
| | 300A | UCB400L 2PT5S0000C 00300F | | UCB400L 3PT5S0000C 00300F | | UCB400L 4PT5S0000C 00300F | | | |
| | 320A | UCB400L 2PT5S0000C 00320F | | UCB400L 3PT5S0000C 00320F | | UCB400L 4PT5S0000C 00320F | | | |
| | 350A | UCB400L 2PT5S0000C 00350F | | UCB400L 3PT5S0000C 00350F | | UCB400L 4PT5S0000C 00350F | | | |
| | 400A | UCB400L 2PT5S0000C 00400F | | UCB400L 3PT5S0000C 00400F | | UCB400L 4PT5S0000C 00400F | | | |

Specifications and Standard Order Codes

| UCB type / 630AF |

UCB630R 45kA
 UCB630S 65kA
 UCB630H 85kA
 UCB630L 100kA



| | | | | | | |
|---|---|---|-----------------------|-----------------|----------------------------|------------|
| Number of poles (P) | | *2, 3, 4 | | | | |
| Degree of protection (with terminal cover) | | IP20 | | | | |
| Utilization category | | A | | | | |
| Suitability of isolation | | O | | | | |
| Protection | | overload, inst., short-circuit | | | | |
| Rating | Rated current (A) | 500, 630 | | | | |
| | Rated insulation voltage [Ui] (V) | AC690 | | | | |
| | Rated operational voltage [Ue] (V) | AC660 | | | | |
| | Rated impulse withstand voltage [Uimp] (kV) | DC250 | | | | |
| Rated short-circuit breaking capacity IEC 60947-2 K 60947-2 | Ultimate [Icu] (kA r.m.s.) | AC600/660V, 50-60Hz | 22 | 25 | 35 | 35 |
| | | AC480/500V, 50-60Hz | 25 | 45 | 50 | 65 |
| | | AC440/460V, 50-60Hz | 35 | 50 | 65 | 85 |
| | | AC380/415V, 50-60Hz | 45 | 65 | 85 | 100 |
| | | AC220/240V, 50-60Hz | 50 | 100 | 100 | 125 |
| | DC250V | 20 | 40 | 40 | 40 | |
| | DC125V | 30 | 50 | 50 | 60 | |
| Service [Ics] | % of [Icu] | 50 | | | | |
| Trip mechanism & Protection characteristics | Thermal magnetic | Fixed thermal, Fixed instantaneous | INST | O | | |
| | | | LTD | 10×In | | |
| | | Adjustable thermal, Fixed instantaneous | INST | (0.8×0.9×1)×In | | |
| Mounting | Direct mounting by screw | | O | | | |
| | Plug-in | for | Both line & load side | O ¹⁾ | | |
| | | Switchboard | Line side only | O ¹⁾ | | |
| Terminal connection | Screw | | O | | | |
| | Bus bar | | O | | | |
| Durability (times) | Mechanical operation | | 20,000 | | | |
| | Electrical operation | | 6,000 | | | |
| Dimensions (mm) | | 2/3/4P | a | Width | 210 ²⁾ /210/280 | |
| | | | b | Height | 280 | |
| | | | c | Depth | 110 | |
| | | | d | | 145 | |
| Weight (kg, breaker only) | | 2/3/4P | 8.7/9.5/12.5 | | | |

* - The breaking capacity highlighted with blue and thick type is standard nominal value for each model in this catalogue.

1) Available for 3P breaker

2) *2P breaker has same dimension with 3P breaker, but the middle pole is removed.

Accessories

• Signal

| | | | | | | |
|----------------------------------|---------------------|------------|------------|------------|------------|------------|
| Auxiliary switch | 1ab, Left-hand-side | | | | | |
| | AUX 46D L1 | | | | | |
| Trip alarm switch | 1ab, Left-hand-side | | | | | |
| | ALT 46D L1 | | | | | |
| Shunt trip ¹⁾ | DC24V | DC100-110V | AC100-120V | AC200-230V | AC380-415V | AC440-480V |
| | SHT 46D A | SHT 46D C | SHT 46D F | SHT 46D H | SHT 46D B | SHT 46D D |
| Under voltage trip ²⁾ | DC24V | DC100-110V | AC100-120V | AC200-230V | AC380-415V | AC440-480V |
| | *UVT 46D J | *UVT 46D L | *UVT 46D N | *UVT 46D P | *UVT 46D Q | *UVT 46D R |

※ 1) The permissible operating voltage: 85-110% of rated voltage for AC, 75-125% for DC

2) The permissible operating voltage: 85-110% of rated voltage(AC), 85-125% of rated voltage(DC)

The tripping voltage: 20-70% of rated voltage(AC/DC)

*Reset is possible without power.

• Operating

| | | | | | |
|--------------------------------|------------------------|--------|----------------|----------------|-------------|
| Operating handle ¹⁾ | Power supply direction | | Upper | Right | Left |
| | Surface | S type | TFG 46DS U2 | TFG 46DS R2 | TFG 46DS L2 |
| | Extended | S type | TFH 46DS | | |
| Motor operator ²⁾ | DC24V | | AC/DC110V | AC/DC220V | |
| | MOT 68E DC24 | | MOT 68E ADC110 | MOT 68E ADC220 | |
| Extension handle ³⁾ | THA 46D | | | | |

※ 1) For detail type information, please refer to page no. 191-199.

2) Motor operator is not recommended for marine application.

3) Supplied as standard component

• Mounting

| | | | | |
|---------|---------------|------------|---------------------------|--------------------|
| Plug-in | Structure | | For both line & load side | For line side only |
| | Mounting base | | TDM 5BA ¹⁾ | TDM 5BA |
| | Connection | 2C contact | TYA 5/2 ²⁾ | — |
| | block | 5C contact | TYA 5/5 ²⁾ | — |

※ Available for 3P breaker

Connection blocks are required for internal accessory installation in both line & load side plug-in type 3P breaker.

1) 2EA are required for both line & load side plug-in type 3 pole MCCB.

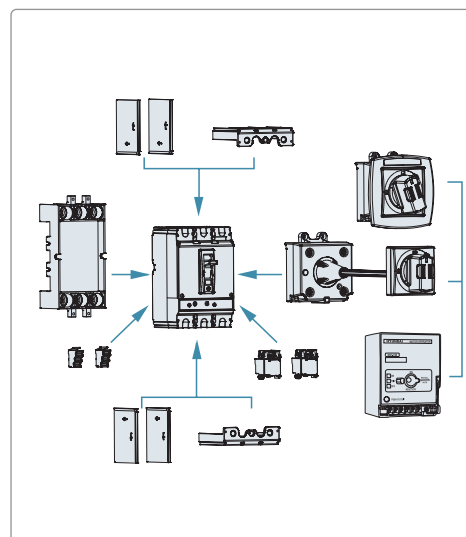
2) TYA type connection blocks are to be installed with separate mounting angle. Separate mounting angle is not supplied.

• Terminal

| | | | |
|---------------------------------|------------------|------------------|------------------|
| Terminal bus bar | 2 pole (4EA/SET) | 3 pole (6EA/SET) | 4 pole (8EA/SET) |
| | TBB 6S 2 | TBB 6S 3 | TBB 6S 4 |
| Interpole barrier ¹⁾ | 2EA/SET TQQ 5BA | | |

※ 1) Supplied as standard component

Required quantity for both line and load side of MCCB: 2 pole 4EA, 3 pole 4EA, 4 pole 6EA



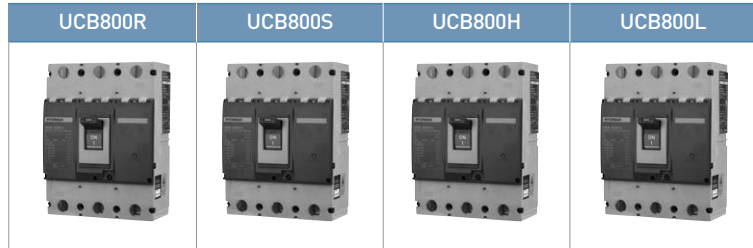
Standard order code and unit

※ Please refer to page no. 76.

Specifications and Standard Order Codes

| UCB type / 800AF |

UCB800R 45kA
 UCB800S 65kA
 UCB800H 85kA
 UCB800L 100kA



| | | | | | | |
|---|---|---|-----------------------|-----------------|----------------------------|-----|
| Number of poles (P) | | *2, 3, 4 | | | | |
| Degree of protection (with terminal cover) | | IP20 | | | | |
| Utilization category | | A | | | | |
| Suitability of isolation | | O | | | | |
| Protection | | overload, inst., short-circuit | | | | |
| Rating | Rated current (A) | 700, 800 | | | | |
| | Rated insulation voltage [Ui] (V) | AC690 | | | | |
| | Rated operational voltage [Ue] (V) | AC660 | | | | |
| | Rated impulse withstand voltage [Uimp] (kV) | DC250 | | | | |
| Rated short-circuit breaking capacity IEC 60947-2 K 60947-2 | Ultimate [Icu] (kA r.m.s.) | AC600/660V, 50-60Hz | 25 | 25 | 35 | 35 |
| | | AC480/500V, 50-60Hz | 35 | 45 | 50 | 65 |
| | | AC440/460V, 50-60Hz | 35 | 50 | 65 | 85 |
| | | AC380/415V, 50-60Hz | 45 | 65 | 85 | 100 |
| | | AC220/240V, 50-60Hz | 50 | 100 | 100 | 125 |
| | DC250V | 20 | 40 | 40 | 40 | |
| | DC125V | 30 | 50 | 50 | 60 | |
| Service [Ics] | % of [Icu] | 50 | | | | |
| Trip mechanism & Protection characteristics | Thermal magnetic | Fixed thermal, Fixed instantaneous | INST | O | | |
| | | | LTD | 10×In | | |
| | | Adjustable thermal, Fixed instantaneous | INST | (0.8×0.9×1)×In | | |
| Mounting | Direct mounting by screw | | O | | | |
| | Plug-in | for Switchboard | Both line & load side | O ¹⁾ | | |
| | | Line side only | O ¹⁾ | | | |
| Terminal connection | Screw | | O | | | |
| | Bus bar | | O | | | |
| Durability (times) | Mechanical operation | | 10,000 | | | |
| | Electrical operation | | 3,000 | | | |
| Dimensions (mm) | | 2/3/4P | a | Width | 210 ²⁾ /210/280 | |
| | | | b | Height | 280 | |
| | | | c | Depth | 110 | |
| | | | d | | 145 | |
| Weight (kg, breaker only) | | 2/3/4P | 8.7/9.5/12.5 | | | |

* - The breaking capacity highlighted with blue and thick type is standard nominal value for each model in this catalogue.

1) Available for 3P breaker

2) *2P breaker has same dimension with 3P breaker, but the middle pole is removed.

Accessories

• Signal

| | | | | | | |
|----------------------------------|---------------------|------------|------------|------------|------------|------------|
| Auxiliary switch | 1ab, Left-hand-side | | | | | |
| | AUX 46D L1 | | | | | |
| Trip alarm switch | 1ab, Left-hand-side | | | | | |
| | ALT 46D L1 | | | | | |
| Shunt trip ¹⁾ | DC24V | DC100-110V | AC100-120V | AC200-230V | AC380-415V | AC440-480V |
| | SHT 46D A | SHT 46D C | SHT 46D F | SHT 46D H | SHT 46D B | SHT 46D D |
| Under voltage trip ²⁾ | DC24V | DC100-110V | AC100-120V | AC200-230V | AC380-415V | AC440-480V |
| | *UVT 46D J | *UVT 46D L | *UVT 46D N | *UVT 46D P | *UVT 46D Q | *UVT 46D R |

- ※ 1) The permissible operating voltage: 85-110% of rated voltage for AC , 75-125% for DC
- 2) The permissible operating voltage: 85-110% of rated voltage(AC), 85-125% of rated voltage(DC)
The tripping voltage: 20-70% of rated voltage(AC/DC)
*Reset is possible without power.

• Operating

| | | | | | |
|--------------------------------|------------------------|---------|----------------|----------------|-------------|
| Operating handle ¹⁾ | Power supply direction | | Upper | Right | Left |
| | Surface | S type | TFG 46DS U2 | TFG 46DS R2 | TFG 46DS L2 |
| | Extended | S type | TFH 46DS | | |
| Motor operator ²⁾ | DC24V | | AC/DC110V | AC/DC220V | |
| | MOT 68E DC24 | | MOT 68E ADC110 | MOT 68E ADC220 | |
| Extension handle ³⁾ | | THA 46D | | | |

- ※ 1) For detail type information, please refer to page no. 191-199.
- 2) Motor operator is not recommended for marine application.
- 3) Supplied as standard component

• Mounting

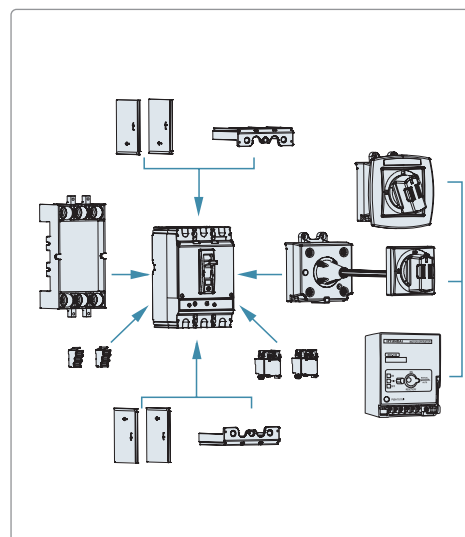
| | | | | |
|---------|---------------|------------|---------------------------|--------------------|
| Plug-in | Structure | | For both line & load side | For line side only |
| | Mounting base | | TDM 5BA ¹⁾ | TDM 5BA |
| | Connection | 2C contact | TYA 5/2 ²⁾ | — |
| | block | 5C contact | TYA 5/5 ²⁾ | — |

- ※ Available for 3P breaker
Connection blocks are required for internal accessory installation in both line & load side plug-in type 3P breaker.
- 1) 2EA are required for both line & load side plug-in type 3p breaker.
- 2) TYA type connection blocks are to be installed with separate mounting angle. Separate mounting angle is not supplied.

• Terminal

| | | | |
|---------------------------------|------------------|------------------|------------------|
| Terminal bus bar | 2 pole (4EA/SET) | 3 pole (6EA/SET) | 4 pole (8EA/SET) |
| | | TBB 8S 2 | TBB 8S 3 |
| Interpole barrier ¹⁾ | 2EA/SET | TQQ 5BA | |

- ※ 1) Supplied as standard component
Required quantity for both line and load side of MCCB: 2 pole 4EA, 3 pole 4EA, 4 pole 6EA



Standard order code and unit

※ Please refer to page no. 77.

Specifications and Standard Order Codes

| Standard order code and unit / UCB type 630AF |

- Fixed thermal & fixed instantaneous / Thermal magnetic trip

40/45°C

| Model / Breaking capacity at AC380 / 415V | Rated current | 2 pole | | 3 pole | | 4 pole | | Specification | Category |
|---|---------------|--------------------------|-----------|--------------------------|-----------|--------------------------|-----------|--|----------|
| | | Code | Unit (EA) | Code | Unit (EA) | Code | Unit (EA) | | |
| UCB630R 45kA | 500A | UCB630R 2PT4S0000C 00500 | | UCB630R 3PT4S0000C 00500 | | UCB630R 4PT4S0000C 00500 | | 40/45°C, Screw type terminal connection, No option, 50/60Hz | MCCB /M2 |
| | 630A | UCB630R 2PT4S0000C 00630 | | UCB630R 3PT4S0000C 00630 | | UCB630R 4PT4S0000C 00630 | | | |
| UCB630S 65kA | 500A | UCB630S 2PT4S0000C 00500 | | UCB630S 3PT4S0000C 00500 | | UCB630S 4PT4S0000C 00500 | | | |
| | 630A | UCB630S 2PT4S0000C 00630 | | UCB630S 3PT4S0000C 00630 | | UCB630S 4PT4S0000C 00630 | | | |
| UCB630H 85kA | 500A | UCB630H 2PT4S0000C 00500 | | UCB630H 3PT4S0000C 00500 | | UCB630H 4PT4S0000C 00500 | | | |
| | 630A | UCB630H 2PT4S0000C 00630 | | UCB630H 3PT4S0000C 00630 | | UCB630H 4PT4S0000C 00630 | | | |
| UCB630L 100kA | 500A | UCB630L 2PT4S0000C 00500 | | UCB630L 3PT4S0000C 00500 | | UCB630L 4PT4S0000C 00500 | | | |
| | 630A | UCB630L 2PT4S0000C 00630 | | UCB630L 3PT4S0000C 00630 | | UCB630L 4PT4S0000C 00630 | | | |

50°C

| Model / Breaking capacity at AC380 / 415V | Rated current | 2 pole | | 3 pole | | 4 pole | | Specification | Category |
|---|---------------|--------------------------|-----------|--------------------------|-----------|--------------------------|-----------|---|----------|
| | | Code | Unit (EA) | Code | Unit (EA) | Code | Unit (EA) | | |
| UCB630R 45kA | 500A | UCB630R 2PT5S0000C 00500 | | UCB630R 3PT5S0000C 00500 | | UCB630R 4PT5S0000C 00500 | | 50°C, Screw type terminal connection, No option, 50/60Hz | MCCB /M2 |
| | 630A | UCB630R 2PT5S0000C 00630 | | UCB630R 3PT5S0000C 00630 | | UCB630R 4PT5S0000C 00630 | | | |
| UCB630S 65kA | 500A | UCB630S 2PT5S0000C 00500 | | UCB630S 3PT5S0000C 00500 | | UCB630S 4PT5S0000C 00500 | | | |
| | 630A | UCB630S 2PT5S0000C 00630 | | UCB630S 3PT5S0000C 00630 | | UCB630S 4PT5S0000C 00630 | | | |
| UCB630H 85kA | 500A | UCB630H 2PT5S0000C 00500 | | UCB630H 3PT5S0000C 00500 | | UCB630H 4PT5S0000C 00500 | | | |
| | 630A | UCB630H 2PT5S0000C 00630 | | UCB630H 3PT5S0000C 00630 | | UCB630H 4PT5S0000C 00630 | | | |
| UCB630L 100kA | 500A | UCB630L 2PT5S0000C 00500 | | UCB630L 3PT5S0000C 00500 | | UCB630L 4PT5S0000C 00500 | | | |
| | 630A | UCB630L 2PT5S0000C 00630 | | UCB630L 3PT5S0000C 00630 | | UCB630L 4PT5S0000C 00630 | | | |

- Adjustable thermal & fixed instantaneous / Thermal magnetic trip

40/45°C

| Model / Breaking capacity at AC380 / 415V | Rated current | 2 pole | | 3 pole | | 4 pole | | Specification | Category |
|---|---------------|---------------------------|-----------|---------------------------|-----------|---------------------------|-----------|--|----------|
| | | Code | Unit (EA) | Code | Unit (EA) | Code | Unit (EA) | | |
| UCB630R 45kA | 500A | UCB630R 2PT4S0000C 00500F | | UCB630R 3PT4S0000C 00500F | | UCB630R 4PT4S0000C 00500F | | 40/45°C, Screw type terminal connection, No option, 50/60Hz | MCCB /M2 |
| | 630A | UCB630R 2PT4S0000C 00630F | | UCB630R 3PT4S0000C 00630F | | UCB630R 4PT4S0000C 00630F | | | |
| UCB630S 65kA | 500A | UCB630S 2PT4S0000C 00500F | | UCB630S 3PT4S0000C 00500F | | UCB630S 4PT4S0000C 00500F | | | |
| | 630A | UCB630S 2PT4S0000C 00630F | | UCB630S 3PT4S0000C 00630F | | UCB630S 4PT4S0000C 00630F | | | |
| UCB630H 85kA | 500A | UCB630H 2PT4S0000C 00500F | | UCB630H 3PT4S0000C 00500F | | UCB630H 4PT4S0000C 00500F | | | |
| | 630A | UCB630H 2PT4S0000C 00630F | | UCB630H 3PT4S0000C 00630F | | UCB630H 4PT4S0000C 00630F | | | |
| UCB630L 100kA | 500A | UCB630L 2PT4S0000C 00500F | | UCB630L 3PT4S0000C 00500F | | UCB630L 4PT4S0000C 00500F | | | |
| | 630A | UCB630L 2PT4S0000C 00630F | | UCB630L 3PT4S0000C 00630F | | UCB630L 4PT4S0000C 00630F | | | |

50°C

| Model / Breaking capacity at AC380 / 415V | Rated current | 2 pole | | 3 pole | | 4 pole | | Specification | Category |
|---|---------------|---------------------------|-----------|---------------------------|-----------|---------------------------|-----------|---|----------|
| | | Code | Unit (EA) | Code | Unit (EA) | Code | Unit (EA) | | |
| UCB630R 45kA | 500A | UCB630R 2PT5S0000C 00500F | | UCB630R 3PT5S0000C 00500F | | UCB630R 4PT5S0000C 00500F | | 50°C, Screw type terminal connection, No option, 50/60Hz | MCCB /M2 |
| | 630A | UCB630R 2PT5S0000C 00630F | | UCB630R 3PT5S0000C 00630F | | UCB630R 4PT5S0000C 00630F | | | |
| UCB630S 65kA | 500A | UCB630S 2PT5S0000C 00500F | | UCB630S 3PT5S0000C 00500F | | UCB630S 4PT5S0000C 00500F | | | |
| | 630A | UCB630S 2PT5S0000C 00630F | | UCB630S 3PT5S0000C 00630F | | UCB630S 4PT5S0000C 00630F | | | |
| UCB630H 85kA | 500A | UCB630H 2PT5S0000C 00500F | | UCB630H 3PT5S0000C 00500F | | UCB630H 4PT5S0000C 00500F | | | |
| | 630A | UCB630H 2PT5S0000C 00630F | | UCB630H 3PT5S0000C 00630F | | UCB630H 4PT5S0000C 00630F | | | |
| UCB630L 100kA | 500A | UCB630L 2PT5S0000C 00500F | | UCB630L 3PT5S0000C 00500F | | UCB630L 4PT5S0000C 00500F | | | |
| | 630A | UCB630L 2PT5S0000C 00630F | | UCB630L 3PT5S0000C 00630F | | UCB630L 4PT5S0000C 00630F | | | |

| Standard order code and unit / UCB type 800AF |

- Fixed thermal & fixed instantaneous / Thermal magnetic trip

40/45°C

| Model / Breaking capacity at AC380 / 415V | Rated current | 2 pole | | 3 pole | | 4 pole | | Specification | Category |
|---|---------------|--------------------------|-----------|--------------------------|-----------|--------------------------|-----------|--|----------|
| | | Code | Unit (EA) | Code | Unit (EA) | Code | Unit (EA) | | |
| UCB800R 45kA | 700A | UCB800R 2PT4S0000C 00700 | | UCB800R 3PT4S0000C 00700 | | UCB800R 4PT4S0000C 00700 | | 40/45°C, Screw type terminal connection, No option, 50/60Hz | MCCB /M2 |
| | 800A | UCB800R 2PT4S0000C 00800 | | UCB800R 3PT4S0000C 00800 | | UCB800R 4PT4S0000C 00800 | | | |
| UCB800S 65kA | 700A | UCB800S 2PT4S0000C 00700 | | UCB800S 3PT4S0000C 00700 | | UCB800S 4PT4S0000C 00700 | | | |
| | 800A | UCB800S 2PT4S0000C 00800 | | UCB800S 3PT4S0000C 00800 | | UCB800S 4PT4S0000C 00800 | | | |
| UCB800H 85kA | 700A | UCB800H 2PT4S0000C 00700 | | UCB800H 3PT4S0000C 00700 | | UCB800H 4PT4S0000C 00700 | | | |
| | 800A | UCB800H 2PT4S0000C 00800 | | UCB800H 3PT4S0000C 00800 | | UCB800H 4PT4S0000C 00800 | | | |
| UCB800L 100kA | 700A | UCB800L 2PT4S0000C 00700 | | UCB800L 3PT4S0000C 00700 | | UCB800L 4PT4S0000C 00700 | | | |
| | 800A | UCB800L 2PT4S0000C 00800 | | UCB800L 3PT4S0000C 00800 | | UCB800L 4PT4S0000C 00800 | | | |

50°C

| Model / Breaking capacity at AC380 / 415V | Rated current | 2 pole | | 3 pole | | 4 pole | | Specification | Category |
|---|---------------|--------------------------|-----------|--------------------------|-----------|--------------------------|-----------|---|----------|
| | | Code | Unit (EA) | Code | Unit (EA) | Code | Unit (EA) | | |
| UCB800R 45kA | 700A | UCB800R 2PT5S0000C 00700 | | UCB800R 3PT5S0000C 00700 | | UCB800R 4PT5S0000C 00700 | | 50°C, Screw type terminal connection, No option, 50/60Hz | MCCB /M2 |
| | 800A | UCB800R 2PT5S0000C 00800 | | UCB800R 3PT5S0000C 00800 | | UCB800R 4PT5S0000C 00800 | | | |
| UCB800S 65kA | 700A | UCB800S 2PT5S0000C 00700 | | UCB800S 3PT5S0000C 00700 | | UCB800S 4PT5S0000C 00700 | | | |
| | 800A | UCB800S 2PT5S0000C 00800 | | UCB800S 3PT5S0000C 00800 | | UCB800S 4PT5S0000C 00800 | | | |
| UCB800H 85kA | 700A | UCB800H 2PT5S0000C 00700 | | UCB800H 3PT5S0000C 00700 | | UCB800H 4PT5S0000C 00700 | | | |
| | 800A | UCB800H 2PT5S0000C 00800 | | UCB800H 3PT5S0000C 00800 | | UCB800H 4PT5S0000C 00800 | | | |
| UCB800L 100kA | 700A | UCB800L 2PT5S0000C 00700 | | UCB800L 3PT5S0000C 00700 | | UCB800L 4PT5S0000C 00700 | | | |
| | 800A | UCB800L 2PT5S0000C 00800 | | UCB800L 3PT5S0000C 00800 | | UCB800L 4PT5S0000C 00800 | | | |

- Adjustable thermal & fixed instantaneous / Thermal magnetic trip

40/45°C

| Model / Breaking capacity at AC380 / 415V | Rated current | 2 pole | | 3 pole | | 4 pole | | Specification | Category |
|---|---------------|---------------------------|-----------|---------------------------|-----------|---------------------------|-----------|--|----------|
| | | Code | Unit (EA) | Code | Unit (EA) | Code | Unit (EA) | | |
| UCB800R 45kA | 700A | UCB800R 2PT4S0000C 00700F | | UCB800R 3PT4S0000C 00700F | | UCB800R 4PT4S0000C 00700F | | 40/45°C, Screw type terminal connection, No option, 50/60Hz | MCCB /M2 |
| | 800A | UCB800R 2PT4S0000C 00800F | | UCB800R 3PT4S0000C 00800F | | UCB800R 4PT4S0000C 00800F | | | |
| UCB800S 65kA | 700A | UCB800S 2PT4S0000C 00700F | | UCB800S 3PT4S0000C 00700F | | UCB800S 4PT4S0000C 00700F | | | |
| | 800A | UCB800S 2PT4S0000C 00800F | | UCB800S 3PT4S0000C 00800F | | UCB800S 4PT4S0000C 00800F | | | |
| UCB800H 85kA | 700A | UCB800H 2PT4S0000C 00700F | | UCB800H 3PT4S0000C 00700F | | UCB800H 4PT4S0000C 00700F | | | |
| | 800A | UCB800H 2PT4S0000C 00800F | | UCB800H 3PT4S0000C 00800F | | UCB800H 4PT4S0000C 00800F | | | |
| UCB800L 100kA | 700A | UCB800L 2PT4S0000C 00700F | | UCB800L 3PT4S0000C 00700F | | UCB800L 4PT4S0000C 00700F | | | |
| | 800A | UCB800L 2PT4S0000C 00800F | | UCB800L 3PT4S0000C 00800F | | UCB800L 4PT4S0000C 00800F | | | |

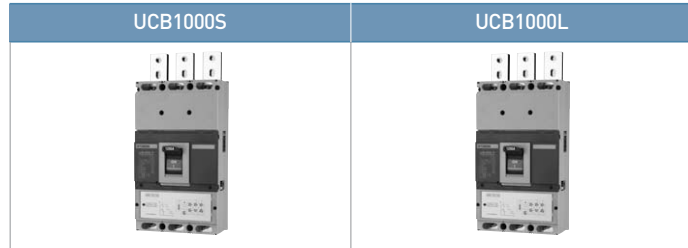
50°C

| Model / Breaking capacity at AC380 / 415V | Rated current | 2 pole | | 3 pole | | 4 pole | | Specification | Category |
|---|---------------|---------------------------|-----------|---------------------------|-----------|---------------------------|-----------|---|----------|
| | | Code | Unit (EA) | Code | Unit (EA) | Code | Unit (EA) | | |
| UCB800R 45kA | 700A | UCB800R 2PT5S0000C 00700F | | UCB800R 3PT5S0000C 00700F | | UCB800R 4PT5S0000C 00700F | | 50°C, Screw type terminal connection, No option, 50/60Hz | MCCB /M2 |
| | 800A | UCB800R 2PT5S0000C 00800F | | UCB800R 3PT5S0000C 00800F | | UCB800R 4PT5S0000C 00800F | | | |
| UCB800S 65kA | 700A | UCB800S 2PT5S0000C 00700F | | UCB800S 3PT5S0000C 00700F | | UCB800S 4PT5S0000C 00700F | | | |
| | 800A | UCB800S 2PT5S0000C 00800F | | UCB800S 3PT5S0000C 00800F | | UCB800S 4PT5S0000C 00800F | | | |
| UCB800H 85kA | 700A | UCB800H 2PT5S0000C 00700F | | UCB800H 3PT5S0000C 00700F | | UCB800H 4PT5S0000C 00700F | | | |
| | 800A | UCB800H 2PT5S0000C 00800F | | UCB800H 3PT5S0000C 00800F | | UCB800H 4PT5S0000C 00800F | | | |
| UCB800L 100kA | 700A | UCB800L 2PT5S0000C 00700F | | UCB800L 3PT5S0000C 00700F | | UCB800L 4PT5S0000C 00700F | | | |
| | 800A | UCB800L 2PT5S0000C 00800F | | UCB800L 3PT5S0000C 00800F | | UCB800L 4PT5S0000C 00800F | | | |

Specifications and Standard Order Codes

| UCB type / 1000AF |

UCB1000S 100kA
UCB1000L 130kA



| | | UCB1000S | UCB1000L | |
|---|---|--------------------------------|--|------------|
| Number of poles (P) | | 3, 4 | | |
| Degree of protection (without terminal bus bar) | | IP20 | | |
| Utilization category | | A | | |
| Suitability of isolation | | O | | |
| Protection | | overload, inst., short-circuit | | |
| Rating | Rated current (A) | 505-1,000 | | |
| | Rated insulation voltage [Ui] (V) | AC750 | | |
| | Rated operational voltage [Ue] (V) | AC690 | | |
| | Rated impulse withstand voltage [Uimp] (kV) | 8 | | |
| Rated short-circuit breaking capacity IEC 60947-2 K 60947-2 | Ultimate [Icu] (kA r.m.s.) | AC600/660V, 50-60Hz | 40 | 60 |
| | | AC480/500V, 50-60Hz | 75 | 100 |
| | | AC440/460V, 50-60Hz | 75 | 100 |
| | | AC380/415V, 50-60Hz | 100 | 130 |
| | Service [Ics] % of [Icu] | AC220/240V, 50-60Hz | 100 | 150 |
| Service [Ics] % of [Icu] | | 50 | | |
| Trip mechanism & Protection characteristics | Electronic | Long time delay LTD | $(0.5-1)^{1)} \times I_n$ (15 setting) | |
| | | Short time delay STD | $(2-4-6-8-10) \times I_r$ | |
| | | Instantaneous INST | $(3-6-8-10-11) \times I_n$ | |
| | | Ground fault trip GFT | $(0.2-0.3-0.4) \times I_n$ | |
| | | Pre-trip alarm PTA | $0.9 \times I_n$ | |
| | | I ² T lamp | O | |
| | Pick-up LED | O | | |
| Mounting | Direct mounting by screw | O | | |
| Terminal connection | Bus bar | O | | |
| Durability (times) | Mechanical operation | 10,000 | | |
| | Electrical operation | 3,000 | | |
| Dimensions (mm) | | 3/4P | a Width | 210/280 |
| | | | b Height | 370 |
| | | | c Depth | 110/200 |
| | | | d | 159/249 |
| Weight (kg, breaker only) | 3/4P | 13/17 | 25/33 | |

※ - The breaking capacity highlighted with blue and thick type is standard nominal value for each model in this catalogue.
1) [0.5-1]: [0.63-0.8-1]x[0.8-0.85-0.9-0.95-1]

Accessories

Signal

| | | | | | | |
|----------------------------------|----------------------|----------------------|-------------|-------------|-------------|-------------|
| Auxiliary switch | 1ab, Right-hand-side | 2ab, Right-hand-side | | | | |
| | AUX 80NE R1 | AUX 80NE R2 | | | | |
| Trip alarm switch | 1ab, Right-hand-side | | | | | |
| | ALT 80NE R1 | | | | | |
| Shunt trip ¹⁾ | DC24V | DC100-110V | AC100-120V | AC200-230V | AC380-415V | AC440-480V |
| | SHT 120NE A | SHT 120NE C | SHT 120NE F | SHT 120NE H | SHT 120NE B | SHT 120NE D |
| Under voltage trip ²⁾ | DC24V | DC100-110V | AC100-120V | AC200-230V | AC380-415V | AC440-480V |
| | UVT 120NE J | UVT 120NE L | UVT 120NE N | UVT 120NE P | UVT 120NE Q | UVT 120NE R |

- ※ 1) The permissible operating voltage: 85-110% of rated voltage for AC , 75-125% for DC
- 2) The permissible operating voltage: 85-110% of rated voltage(AC), 85-125% of rated voltage(DC)
The tripping voltage: 20-70% of rated voltage(AC/DC)

Operating

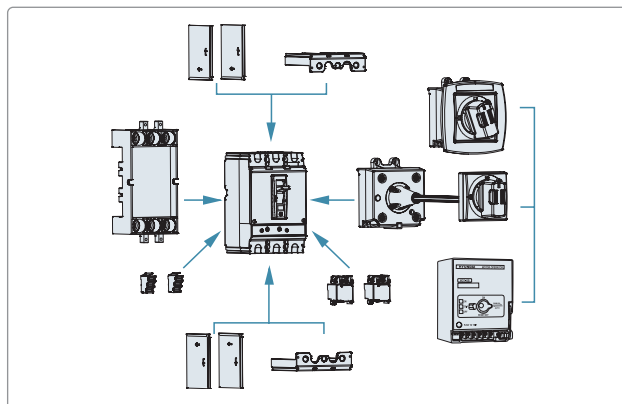
| | | | |
|--------------------------------|---------------|-----------------|-----------------|
| Motor operator ¹⁾ | DC24V | AC/DC110V | AC/DC220V |
| | MOT 80NE DC24 | MOT 80NE ADC110 | MOT 80NE ADC220 |
| Extension handle ²⁾ | THA 80NE | | |

- ※ 1) Motor operator is not recommended for marine application.
- 2) Supplied as standard component

Terminal

| | | |
|---------------------------------|---------|----------|
| Interpole barrier ¹⁾ | 4EA/SET | TQQ 80NE |
|---------------------------------|---------|----------|

- ※ 1) Supplied as standard component
Required quantity for both line and load side of MCCB: 3 pole 4EA, 4 pole 6EA



Standard order code and unit

Electronic - LTD, STD, INST trip

| Model / Breaking capacity at AC380/415V | Rated current | 3 pole | | 4 pole | | Specification | Category |
|---|---------------|---------------------------|-----------|---------------------------|-----------|---|----------|
| | | Code | Unit (EA) | Code | Unit (EA) | | |
| UCB1000S 100kA | 1000A | UCB1000S 3PESB0000X 01000 | | UCB1000S 4PESB0000X 01000 | | Bus bar type terminal connection, No option, 50Hz | MCCB /M3 |
| UCB1000L 130kA | 1000A | UCB1000L 3PESB0000X 01000 | | UCB1000L 4PESB0000X 01000 | | | |
| UCB1000S 100kA | 1000A | UCB1000S 3PESB0000Y 01000 | | UCB1000S 4PESB0000Y 01000 | | Bus bar type terminal connection, No option, 60Hz | |
| UCB1000L 130kA | 1000A | UCB1000L 3PESB0000Y 01000 | | UCB1000S 4PESB0000Y 01000 | | | |

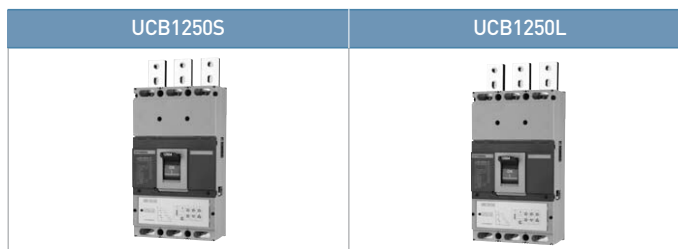
Electronic - LTD, STD, INST, GFT trip & PTA

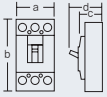
| Model / Breaking capacity at AC380/415V | Rated current | 3 pole | | 4 pole | | Specification | Category |
|---|---------------|---------------------------|-----------|---------------------------|-----------|---|----------|
| | | Code | Unit (EA) | Code | Unit (EA) | | |
| UCB1000S 100kA | 1000A | UCB1000S 3PGSB0000X 01000 | | UCB1000S 4PGSB0000X 01000 | | Bus bar type terminal connection, No option, 50Hz | MCCB /M3 |
| UCB1000L 130kA | 1000A | UCB1000L 3PGSB0000X 01000 | | UCB1000L 4PGSB0000X 01000 | | | |
| UCB1000S 100kA | 1000A | UCB1000S 3PGSB0000Y 01000 | | UCB1000S 4PGSB0000Y 01000 | | Bus bar type terminal connection, No option, 60Hz | |
| UCB1000L 130kA | 1000A | UCB1000L 3PGSB0000Y 01000 | | UCB1000L 4PGSB0000Y 01000 | | | |

Specifications and Standard Order Codes

| UCB type / 1250AF |

UCB1250S 100kA
UCB1250L 130kA



| | | | | |
|---|---|--------------------------------|------------|--|
| Number of poles (P) | | 3, 4 | | |
| Degree of protection (without terminal bus bar) | | IP20 | | |
| Utilization category | | A | | |
| Suitability of isolation | | O | | |
| Protection | | overload, inst., short-circuit | | |
| Rating | Rated current (A) | | 630-1,250 | |
| | Rated insulation voltage [Ui] (V) | | AC750 | |
| | Rated operational voltage [Ue] (V) | | AC690 | |
| | Rated impulse withstand voltage [Uimp] (kV) | | 8 | |
| Rated short-circuit breaking capacity IEC 60947-2 K 60947-2 | Ultimate [Icu] (kA r.m.s.) | AC600/660V, 50-60Hz | 40 | 60 |
| | | AC480/500V, 50-60Hz | 75 | 100 |
| | | AC440/460V, 50-60Hz | 75 | 100 |
| | | AC380/415V, 50-60Hz | 100 | 130 |
| | AC220/240V, 50-60Hz | 100 | 150 | |
| Service [Ics] | % of [Icu] | | 50 | |
| Trip mechanism & Protection characteristics | Electronic | Long time delay | LTD | $(0.5-1)^{1)} \times I_n$ (15 setting) |
| | | Short time delay | STD | $(2-4-6-8-10) \times I_r$ |
| | | Instantaneous | INST | $(3-6-8-10-11) \times I_n$ |
| | | Ground fault trip | GFT | $(0.2-0.3-0.4) \times I_n$ |
| | | Pre-trip alarm | PTA | $0.9 \times I_n$ |
| | | I ² T lamp | | O |
| | Pick-up LED | | O | |
| Mounting | Direct mounting by screw | | O | |
| Terminal connection | Bus bar | | O | |
| Durability (times) | Mechanical operation | | 10,000 | |
| | Electrical operation (times) | | 3,000 | |
| Dimensions (mm) |  | 3/4P | a Width | 210/280 |
| | | | b Height | 370 |
| | | | c Depth | 110/200 |
| | | | d | 159/249 |
| Weight (kg, breaker only) | 3/4P | | 13.5/17.5 | 25.5/33.5 |

※ - The breaking capacity highlighted with blue and thick type is standard nominal value for each model in this catalogue.

1) [0.5-1]: [0.63-0.8-1]x[0.8-0.85-0.9-0.95-1]

Accessories |

• Signal

| | | | | | | |
|----------------------------------|----------------------|----------------------|-------------|-------------|-------------|-------------|
| Auxiliary switch | 1ab, Right-hand-side | 2ab, Right-hand-side | | | | |
| | AUX 80NE R1 | AUX 80NE R2 | | | | |
| Trip alarm switch | 1ab, Right-hand-side | | | | | |
| | ALT 80NE R1 | | | | | |
| Shunt trip ¹⁾ | DC24V | DC100-110V | AC100-120V | AC200-230V | AC380-415V | AC440-480V |
| | SHT 120NE A | SHT 120NE C | SHT 120NE F | SHT 120NE H | SHT 120NE B | SHT 120NE D |
| Under voltage trip ²⁾ | DC24V | DC100-110V | AC100-120V | AC200-230V | AC380-415V | AC440-480V |
| | UVT 120NE J | UVT 120NE L | UVT 120NE N | UVT 120NE P | UVT 120NE Q | UVT 120NE R |

- ※ 1) The permissible operating voltage: 85-110% of rated voltage for AC , 75-125% for DC
- 2) The permissible operating voltage: 85-110% of rated voltage(AC), 85-125% of rated voltage(DC)
The tripping voltage: 20-70% of rated voltage(AC/DC)

• Operating

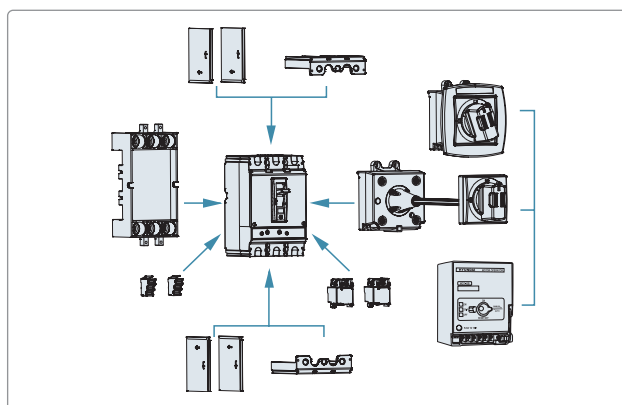
| | | | |
|--------------------------------|---------------|-----------------|-----------------|
| Motor operator ¹⁾ | DC24V | AC/DC110V | AC/DC220V |
| | MOT 80NE DC24 | MOT 80NE ADC110 | MOT 80NE ADC220 |
| Extension handle ²⁾ | THA 80NE | | |

- ※ 1) Motor operator is not recommended for marine application.
- 2) Supplied as standard component

• Terminal

| | | |
|---------------------------------|---------|----------|
| Interpole barrier ¹⁾ | 4EA/SET | TQQ 80NE |
|---------------------------------|---------|----------|

- ※ 1) Supplied as standard component
Required quantity for both line and load side of MCCB: 3 pole 4EA, 4 pole 6EA



Standard order code and unit |

• Electronic - LTD, STD, INST trip

| Model / Breaking capacity at AC380/415V | Rated current | 3 pole | | 4 pole | | Specification | Category |
|---|------------------|---------------------------|--------------|---------------------------|--------------|---|-------------|
| | | Code | Unit (EA) | Code | Unit (EA) | | |
| UCB1250S 100kA | 1250A | UCB1250S 3PESB0000X 01250 | | UCB1250S 4PESB0000X 01250 | | Bus bar type terminal connection, No option, 50Hz | MCCB /M3 |
| UCB1250L 130kA | 1250A | UCB1250L 3PESB0000X 01250 | | UCB1250L 4PESB0000X 01250 | | | |
| UCB1250S 100kA | 1250A | UCB1250S 3PESB0000Y 01250 | | UCB1250S 4PESB0000Y 01250 | | Bus bar type terminal connection, No option, 60Hz | |
| UCB1250L 130kA | 1250A | UCB1250L 3PESB0000Y 01250 | | UCB1250L 4PESB0000Y 01250 | | | |

• Electronic - LTD, STD, INST, GFT trip & PTA

| Model / Breaking capacity at AC380/415V | Rated current | 3 pole | | 4 pole | | Specification | Category |
|---|------------------|---------------------------|--------------|---------------------------|--------------|---|-------------|
| | | Code | Unit (EA) | Code | Unit (EA) | | |
| UCB1250S 100kA | 1250A | UCB1250S 3PGSB0000X 01250 | | UCB1250S 4PGSB0000X 01250 | | Bus bar type terminal connection, No option, 50Hz | MCCB /M3 |
| UCB1250L 130kA | 1250A | UCB1250L 3PGSB0000X 01250 | | UCB1250L 4PGSB0000X 01250 | | | |
| UCB1250S 100kA | 1250A | UCB1250S 3PGSB0000Y 01250 | | UCB1250S 4PGSB0000Y 01250 | | Bus bar type terminal connection, No option, 60Hz | |
| UCB1250L 130kA | 1250A | UCB1250L 3PGSB0000Y 01250 | | UCB1250L 4PGSB0000Y 01250 | | | |

Specifications and Standard Order Codes

| UCB type / 1600AF |

UCB1600S 65kA

UCB1600S



| | | | | | |
|---|---|---------------------|-----------|---------------------------------------|-----|
| Number of poles (P) | | | | 3 | |
| Degree of protection (without terminal bus bar) | | | | IP20 | |
| Utilization category | | | | A | |
| Suitability of isolation | | | | O | |
| Protection | | | | overload, inst., short-circuit | |
| Rating | Rated current (A) | | 640-1,600 | | |
| | Rated insulation voltage [Ui] (V) | | AC750 | | |
| | Rated operational voltage [Ue] (V) | | AC690 | | |
| | Rated impulse withstand voltage [Uimp] (kV) | | 8 | | |
| Rated short-circuit breaking capacity IEC 60947-2 K 60947-2 | Ultimate [Icu] (kA r.m.s.) | AC600/660V, 50-60Hz | | 25 | |
| | | AC480/500V, 50-60Hz | | 35 | |
| | | AC440/460V, 50-60Hz | | 45 | |
| | | AC380/415V, 50-60Hz | | 65 | |
| | Service [Ics] | % of [Icu] | | 50 | |
| Trip mechanism & Protection characteristics | Electronic | Long time delay | LTD | $(0.4-1)^{11} \times I_n$ (8 setting) | |
| | | Instantaneous | INST | $(2-3-4-5-6-7-8-10) \times I_n$ | |
| | | Pick-up LED | | O | |
| Mounting | Direct mounting by screw | | O | | |
| Terminal connection | Bus bar | | O | | |
| Durability (times) | Mechanical operation | | 10,000 | | |
| | Electrical operation | | 3,000 | | |
| Dimensions (mm) | | 3/4P | a | Width | 210 |
| | | | b | Height | 371 |
| | | | c | Depth | 151 |
| | | | d | | 215 |
| Weight (kg, breaker only) | 3/4P | | | 27 | |

※ - The breaking capacity highlighted with blue and thick type is standard nominal value for each model in this catalogue.

1) (0.4-1): (0.4-0.5-0.6-0.7-0.8-0.9-0.95-1)

Accessories

Signal

| Auxiliary switch | 1ab, Right-hand-side | 2ab, Right-hand-side | | | |
|----------------------------------|----------------------|----------------------|-------------|-------------|---------------------------|
| | AUX 160NE R1 | AUX 160NE R2 | | | |
| Shunt trip ¹⁾ | SHT 160NE H | DC100-110V | AC100-120V | AC200-230V | AC380V |
| | SHT 160NE A | SHT 160NE C | SHT 160NE F | SHT 160NE H | SHT 160NE B |
| Under voltage trip ²⁾ | DC24V | DC100-110V | AC100-120V | AC200-230V | AC380-415V |
| | — | — | — | UVT 160NE P | UVT 160NE Q ¹⁾ |

※ 1) The permissible operating voltage: 85-110% of rated voltage for AC , 75-125% for DC

2) The permissible operating voltage: 85-110% of rated voltage(AC), 85-125% of rated voltage(DC)
The tripping voltage: 20-70% of rated voltage(AC/DC)

Operating

| | | |
|--------------------------------|---------------|-----------------|
| Operating handle | Extended type | TFH 160NE |
| Motor operator ¹⁾ | AC220V | MOT 160NE AC220 |
| Extension handle ²⁾ | | THA 160NE |

※ 1) Motor operator is not recommended for marine application.

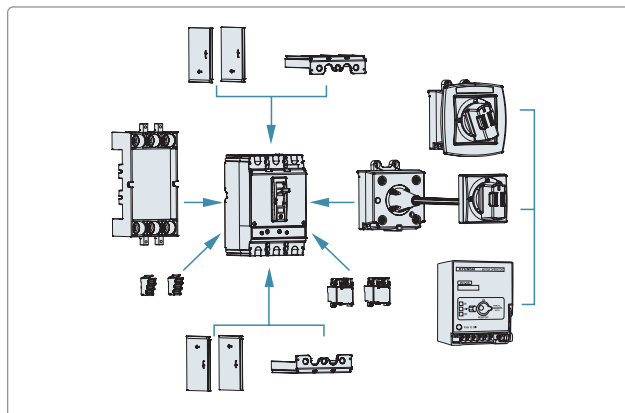
2) Supplied as standard component

Terminal

| | | |
|---------------------------------|---------|-------------|
| Terminal cover ¹⁾ | | TCF 160NE 3 |
| Interpole barrier ²⁾ | 4EA/SET | TQQ 160NE |

※ 1) For both line and load side of MCCB, 2EA shall be ordered.

2) Supplied as standard component



Standard order code and unit

Electronic - LTD, INST trip

| Model / Breaking capacity at AC380 / 415V | Rated current | 3 pole | | Specification | Category |
|--|------------------|---------------------------|--------------|---|----------|
| | | Code | Unit (EA) | | |
| UCB1600S 65kA | 1600A | UCB1600S 3PESB0000C 01600 | | Bus bar type terminal connection, No option, 50/60Hz | MCCB/M3 |

Specifications and Standard Order Codes

UPB type / 125AF

UPB100S 85kA
 UPB100H 100kA
 UPB100L 130kA
 UPB100X 150kA



| | | | | | | | |
|---|---|--------------------------------|--|---------------------------------------|-------------------|-------------------|-------------------|
| Number of poles (P) | | 3, 4 | | | | | |
| Degree of protection (with terminal cover) | | IP20 | | | | | |
| Utilization category | | A | | | | | |
| Suitability of isolation | | O | | | | | |
| Protection | | overload, inst., short-circuit | | | | | |
| Rating | Rated current (A) | Thermal magnetic type | 15, 16, 20, 25, 30, 32, 40, 50, 63, 80, 100, 125 | | | | |
| | | Electronic type | 50-125 | | | | |
| | Rated insulation voltage [Ui] (V) | | AC750 | | | | |
| | Rated operational voltage [Ue] (V) | | AC690 | | | | |
| | Rated impulse withstand voltage [Uimp] (kV) | | DC500 ¹⁾ 8 | | | | |
| Rated short-circuit breaking capacity | Ultimate [Icu] (kA r.m.s.) | AC660/690V, 50-60Hz | 10 | 10 | 20 | 25 | |
| | | AC480/500V, 50-60Hz | 50 | 65 | 85 | 85 | |
| | | AC440/460V, 50-60Hz | 65 | 85 | 100 | 150 | |
| | | AC380/415V, 50-60Hz | 85 | 100 | 130 | 150 | |
| | | AC220/240V, 50-60Hz | 100 | 130 | 150 | 200 | |
| | IEC 60947-2 K 60947-2 | | DC250V | 50 ¹⁾ | 65 ¹⁾ | 85 ¹⁾ | 100 ¹⁾ |
| | | | DC125V | 65 ¹⁾ | 100 ¹⁾ | 100 ¹⁾ | 100 ¹⁾ |
| | Service [Ics] % of [Icu] | | 100 | | | | |
| Trip mechanism & Protection characteristics | Thermal magnetic | Fixed thermal, | | O | | | |
| | | Fixed instantaneous | INST | 10×In | | | |
| | | Adjustable thermal, | LTD | (0.8×0.9×1)×In | | | |
| | | Fixed instantaneous | INST | 10×In | | | |
| | Electronic | Long time delay | LTD | 50, 55, 63, 70, 80, 90, 100, 115, 125 | | | |
| | | Short time delay | STD | (2-3-4-5-6-7-8-9-10)×Ir | | | |
| | | Instantaneous | INST | 11×In | | | |
| | | Pre-trip alarm | PTA | ? | | | |
| | | Pick-up LED | | O | | | |
| Mounting | Direct mounting by screw | | O | | | | |
| | Plug-in | for | Both line & load side | O ²⁾ | | | |
| Switchboard | | Line side only | O ²⁾ | | | | |
| Terminal connection | Screw | | O | | | | |
| | Bus bar | | O | | | | |
| Durability (times) | Mechanical operation | | 25,000 | | | | |
| | Electrical operation | | 10,000 | | | | |
| Dimensions (mm) | | 3/4P | a | Width | 105/140 | | |
| | | | b | Height | 165 | | |
| | | | c | Depth | 86.5 | | |
| | | | d | | 112 | | |
| Weight (kg, breaker only) | 3/4P | | 1.8/2.2 | | | | |

※ - The breaking capacity highlighted with blue and thick type is standard nominal value for each model in this catalogue.

1) DC is not applicable for electronic breaker. 2) Available for 3P breaker

Accessories

- Signal

| | | | | | | |
|----------------------------------|----------------------|-------------|-------------|-------------|-------------|-------------|
| Auxiliary switch | 1ab, Right-hand-side | | | | | |
| | AUX 12UP R1 | | | | | |
| Trip alarm switch | 1ab, Left-hand-side | | | | | |
| | ALT 12UP L1 | | | | | |
| Shunt trip ¹⁾ | DC24V | DC100-110V | AC100-120V | AC200-230V | AC380-415V | AC440-480V |
| | SHT 12UP A | SHT 12UP C | SHT 12UP F | SHT 12UP H | SHT 12UP B | SHT 12UP D |
| Under voltage trip ²⁾ | DC24V | DC100-110V | AC100-120V | AC200-230V | AC380-415V | AC440-480V |
| | *UVT 12UP J | *UVT 12UP L | *UVT 12UP N | *UVT 12UP P | *UVT 12UP Q | *UVT 12UP R |

※ 1) The permissible operating voltage: 85-110% of rated voltage for AC, 75-125% for DC

2) The permissible operating voltage: 85-110% of rated voltage(AC), 85-125% of rated voltage(DC)

The tripping voltage: 20-70% of rated voltage(AC/DC)

*Reset is possible without power.

• Operating

| | | | | | |
|--------------------------------|------------------------|------------------------|------------------------------|------------------------------|--------------|
| Operating handle ¹⁾ | Power supply direction | Upper | Right | Left | |
| | Surface | S type | TFG 12UPS U4 | TFG 12UPS R4 | TFG 12UPS L4 |
| | | L type | TFG 12UPL U4 | – | TFG 12UPL L4 |
| | Extended | S type | TFH 12UPS | | |
| L type | | TFH 12UPL | | | |
| Motor operator ²⁾ | | DC24V MOT 12UP DC24 | AC/DC110V MOT 12UP ADC110 | AC/DC220V MOT 12UP ADC220 | |
| Mechanical interlock | | MIF_____ | | | |

※ 1) For detail type information, please refer to page no. 191-199.

2) Motor operator is not recommended for marine application.

• Mounting

| | | | | |
|---------|------------------|---------------------------|--------------------|---|
| Plug-in | Structure | For both line & load side | For line side only | |
| | Mounting base | TDM 12NEP | TDM 12NEF | |
| | Connection block | 6C contact | CBM 26NE 6 | – |
| | | 12C contact | CBM 26NE 12 | – |

※ Available for 3P breaker

Connection blocks are required for internal accessory installation in both line & load side plug-in type 3 pole MCCB.

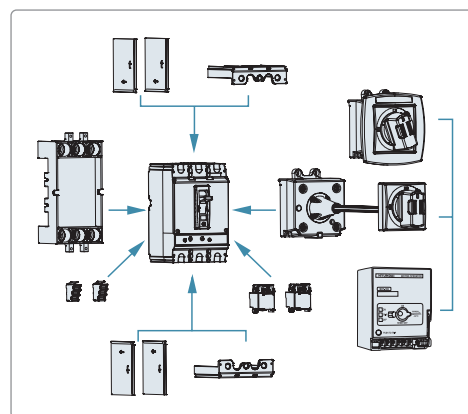
• Terminal

| | | |
|---------------------------------|---------|------------|
| Cage terminal block | 3EA/SET | CTB_____ |
| | 6EA/SET | CTB_____ |
| Terminal cover ¹⁾ | 3 pole | TCF 12UP 3 |
| | 4 pole | TCF 12UP 4 |
| Interpole barrier ²⁾ | 4EA/SET | TQQ 12NE |

※ 1) For both line and load side of MCCB, 2EA shall be ordered.

2) Supplied as standard component

Required quantity for both line and load side of MCCB: 3 pole 4EA, 4 pole 6EA



Standard order code and unit

• Electronic - LTD, STD, INST trip

| Model / Breaking capacity at AC380 / 415V | Rated current | 3 pole | | 4 pole | | Specification | Category |
|---|---------------|--------------------------|-----------|--------------------------|-----------|---|----------|
| | | Code | Unit (EA) | Code | Unit (EA) | | |
| UPB100S 85kA | 125A | UPB100S 3PESS0000X 00125 | | UPB100S 4PESS0000X 00125 | | Screw type terminal connection, No option, 50Hz | MCCB/M3 |
| UPB100H 100kA | 125A | UPB100H 3PESS0000X 00125 | | UPB100H 4PESS0000X 00125 | | | |
| UPB100L 130kA | 125A | UPB100L 3PESS0000X 00125 | | UPB100L 4PESS0000X 00125 | | | |
| UPB100X 150kA | 125A | UPB100X 3PESS0000X 00125 | | UPB100X 4PESS0000X 00125 | | | |
| UPB100S 85kA | 125A | UPB100S 3PESS0000Y 00125 | | UPB100S 4PESS0000Y 00125 | | Screw type terminal connection, No option, 60Hz | |
| UPB100H 100kA | 125A | UPB100H 3PESS0000Y 00125 | | UPB100H 4PESS0000Y 00125 | | | |
| UPB100L 130kA | 125A | UPB100L 3PESS0000Y 00125 | | UPB100L 4PESS0000Y 00125 | | | |
| UPB100X 150kA | 125A | UPB100X 3PESS0000Y 00125 | | UPB100X 4PESS0000Y 00125 | | | |

• Electronic - LTD, STD, INST, GFT trip & PTA

| Model / Breaking capacity at AC380 / 415V | Rated current | 3 pole | | 4 pole | | Specification | Category |
|---|---------------|--------------------------|-----------|--------------------------|-----------|---|----------|
| | | Code | Unit (EA) | Code | Unit (EA) | | |
| UPB100S 85kA | 125A | UPB100S 3PGSS0000X 00125 | | UPB100S 4PGSS0000X 00125 | | Screw type terminal connection, No option, 50Hz | MCCB/M3 |
| UPB100H 100kA | 125A | UPB100H 3PGSS0000X 00125 | | UPB100H 4PGSS0000X 00125 | | | |
| UPB100L 130kA | 125A | UPB100L 3PGSS0000X 00125 | | UPB100L 4PGSS0000X 00125 | | | |
| UPB100X 150kA | 125A | UPB100X 3PGSS0000X 00125 | | UPB100X 4PGSS0000X 00125 | | | |
| UPB100S 85kA | 125A | UPB100S 3PGSS0000Y 00125 | | UPB100S 4PGSS0000Y 00125 | | Screw type terminal connection, No option, 60Hz | |
| UPB100H 100kA | 125A | UPB100H 3PGSS0000Y 00125 | | UPB100H 4PGSS0000Y 00125 | | | |
| UPB100L 130kA | 125A | UPB100L 3PGSS0000Y 00125 | | UPB100L 4PGSS0000Y 00125 | | | |
| UPB100X 150kA | 125A | UPB100X 3PGSS0000Y 00125 | | UPB100X 4PGSS0000Y 00125 | | | |

Specifications and Standard Order Codes

| Standard order code and unit |

- Fixed thermal & fixed instantaneous / Thermal magnetic trip

40/45°C

| Model / Breaking capacity at AC380 / 415V | Rated current | 3 pole | | 4 pole | | Specification | Category |
|---|------------------|--------------------------|--------------|--------------------------|--------------|--|-------------|
| | | Code | Unit (EA) | Code | Unit (EA) | | |
| UPB100S 85kA | 15A | UPB100S 3PT4S0000C 00015 | | UPB100S 4PT4S0000C 00015 | | 40/45°C, Screw type terminal connection, No option, 50/60Hz | MCCB /M2 |
| | 16A | UPB100S 3PT4S0000C 00016 | | UPB100S 4PT4S0000C 00016 | | | |
| | 20A | UPB100S 3PT4S0000C 00020 | | UPB100S 4PT4S0000C 00020 | | | |
| | 25A | UPB100S 3PT4S0000C 00025 | | UPB100S 4PT4S0000C 00025 | | | |
| | 30A | UPB100S 3PT4S0000C 00030 | | UPB100S 4PT4S0000C 00030 | | | |
| | 32A | UPB100S 3PT4S0000C 00032 | | UPB100S 4PT4S0000C 00032 | | | |
| | 40A | UPB100S 3PT4S0000C 00040 | | UPB100S 4PT4S0000C 00040 | | | |
| | 50A | UPB100S 3PT4S0000C 00050 | | UPB100S 4PT4S0000C 00050 | | | |
| | 63A | UPB100S 3PT4S0000C 00063 | | UPB100S 4PT4S0000C 00063 | | | |
| | 80A | UPB100S 3PT4S0000C 00080 | | UPB100S 4PT4S0000C 00080 | | | |
| | 100A | UPB100S 3PT4S0000C 00100 | | UPB100S 4PT4S0000C 00100 | | | |
| | 125A | UPB100S 3PT4S0000C 00125 | | UPB100S 4PT4S0000C 00125 | | | |
| UPB100H 100kA | 15A | UPB100H 3PT4S0000C 00015 | | UPB100H 4PT4S0000C 00015 | | | |
| | 16A | UPB100H 3PT4S0000C 00016 | | UPB100H 4PT4S0000C 00016 | | | |
| | 20A | UPB100H 3PT4S0000C 00020 | | UPB100H 4PT4S0000C 00020 | | | |
| | 25A | UPB100H 3PT4S0000C 00025 | | UPB100H 4PT4S0000C 00025 | | | |
| | 30A | UPB100H 3PT4S0000C 00030 | | UPB100H 4PT4S0000C 00030 | | | |
| | 32A | UPB100H 3PT4S0000C 00032 | | UPB100H 4PT4S0000C 00032 | | | |
| | 40A | UPB100H 3PT4S0000C 00040 | | UPB100H 4PT4S0000C 00040 | | | |
| | 50A | UPB100H 3PT4S0000C 00050 | | UPB100H 4PT4S0000C 00050 | | | |
| | 63A | UPB100H 3PT4S0000C 00063 | | UPB100H 4PT4S0000C 00063 | | | |
| | 80A | UPB100H 3PT4S0000C 00080 | | UPB100H 4PT4S0000C 00080 | | | |
| | 100A | UPB100H 3PT4S0000C 00100 | | UPB100H 4PT4S0000C 00100 | | | |
| | 125A | UPB100H 3PT4S0000C 00125 | | UPB100H 4PT4S0000C 00125 | | | |
| UPB100L 130kA | 15A | UPB100L 3PT4S0000C 00015 | | UPB100L 4PT4S0000C 00015 | | | |
| | 16A | UPB100L 3PT4S0000C 00016 | | UPB100L 4PT4S0000C 00016 | | | |
| | 20A | UPB100L 3PT4S0000C 00020 | | UPB100L 4PT4S0000C 00020 | | | |
| | 25A | UPB100L 3PT4S0000C 00025 | | UPB100L 4PT4S0000C 00025 | | | |
| | 30A | UPB100L 3PT4S0000C 00030 | | UPB100L 4PT4S0000C 00030 | | | |
| | 32A | UPB100L 3PT4S0000C 00032 | | UPB100L 4PT4S0000C 00032 | | | |
| | 40A | UPB100L 3PT4S0000C 00040 | | UPB100L 4PT4S0000C 00040 | | | |
| | 50A | UPB100L 3PT4S0000C 00050 | | UPB100L 4PT4S0000C 00050 | | | |
| | 63A | UPB100L 3PT4S0000C 00063 | | UPB100L 4PT4S0000C 00063 | | | |
| | 80A | UPB100L 3PT4S0000C 00080 | | UPB100L 4PT4S0000C 00080 | | | |
| | 100A | UPB100L 3PT4S0000C 00100 | | UPB100L 4PT4S0000C 00100 | | | |
| | 125A | UPB100L 3PT4S0000C 00125 | | UPB100L 4PT4S0000C 00125 | | | |
| UPB100X 150kA | 15A | UPB100X 3PT4S0000C 00015 | | UPB100X 4PT4S0000C 00015 | | | |
| | 16A | UPB100X 3PT4S0000C 00016 | | UPB100X 4PT4S0000C 00016 | | | |
| | 20A | UPB100X 3PT4S0000C 00020 | | UPB100X 4PT4S0000C 00020 | | | |
| | 25A | UPB100X 3PT4S0000C 00025 | | UPB100X 4PT4S0000C 00025 | | | |
| | 30A | UPB100X 3PT4S0000C 00030 | | UPB100X 4PT4S0000C 00030 | | | |
| | 32A | UPB100X 3PT4S0000C 00032 | | UPB100X 4PT4S0000C 00032 | | | |
| | 40A | UPB100X 3PT4S0000C 00040 | | UPB100X 4PT4S0000C 00040 | | | |
| | 50A | UPB100X 3PT4S0000C 00050 | | UPB100X 4PT4S0000C 00050 | | | |
| | 63A | UPB100X 3PT4S0000C 00063 | | UPB100X 4PT4S0000C 00063 | | | |
| | 80A | UPB100X 3PT4S0000C 00080 | | UPB100X 4PT4S0000C 00080 | | | |
| | 100A | UPB100X 3PT4S0000C 00100 | | UPB100X 4PT4S0000C 00100 | | | |
| | 125A | UPB100X 3PT4S0000C 00125 | | UPB100X 4PT4S0000C 00125 | | | |

50°C

| Model / Breaking capacity at AC380 / 415V | Rated current | 3 pole | | 4 pole | | Specification | Category |
|---|------------------|--------------------------|--------------|--------------------------|--------------|---|-------------|
| | | Code | Unit (EA) | Code | Unit (EA) | | |
| UPB100S 85kA | 15A | UPB100S 3PT5S0000C 00015 | | UPB100S 4PT5S0000C 00015 | | 50°C, Screw type terminal connection, No option, 50/60Hz | MCCB /M2 |
| | 16A | UPB100S 3PT5S0000C 00016 | | UPB100S 4PT5S0000C 00016 | | | |
| | 20A | UPB100S 3PT5S0000C 00020 | | UPB100S 4PT5S0000C 00020 | | | |
| | 25A | UPB100S 3PT5S0000C 00025 | | UPB100S 4PT5S0000C 00025 | | | |
| | 30A | UPB100S 3PT5S0000C 00030 | | UPB100S 4PT5S0000C 00030 | | | |
| | 32A | UPB100S 3PT5S0000C 00032 | | UPB100S 4PT5S0000C 00032 | | | |
| | 40A | UPB100S 3PT5S0000C 00040 | | UPB100S 4PT5S0000C 00040 | | | |
| | 50A | UPB100S 3PT5S0000C 00050 | | UPB100S 4PT5S0000C 00050 | | | |
| | 63A | UPB100S 3PT5S0000C 00063 | | UPB100S 4PT5S0000C 00063 | | | |
| | 80A | UPB100S 3PT5S0000C 00080 | | UPB100S 4PT5S0000C 00080 | | | |
| | 100A | UPB100S 3PT5S0000C 00100 | | UPB100S 4PT5S0000C 00100 | | | |
| | 125A | UPB100S 3PT5S0000C 00125 | | UPB100S 4PT5S0000C 00125 | | | |
| UPB100H 100kA | 15A | UPB100H 3PT5S0000C 00015 | | UPB100H 4PT5S0000C 00015 | | 50°C, Screw type terminal connection, No option, 50/60Hz | MCCB /M2 |
| | 16A | UPB100H 3PT5S0000C 00016 | | UPB100H 4PT5S0000C 00016 | | | |
| | 20A | UPB100H 3PT5S0000C 00020 | | UPB100H 4PT5S0000C 00020 | | | |
| | 25A | UPB100H 3PT5S0000C 00025 | | UPB100H 4PT5S0000C 00025 | | | |
| | 30A | UPB100H 3PT5S0000C 00030 | | UPB100H 4PT5S0000C 00030 | | | |
| | 32A | UPB100H 3PT5S0000C 00032 | | UPB100H 4PT5S0000C 00032 | | | |
| | 40A | UPB100H 3PT5S0000C 00040 | | UPB100H 4PT5S0000C 00040 | | | |
| | 50A | UPB100H 3PT5S0000C 00050 | | UPB100H 4PT5S0000C 00050 | | | |
| | 63A | UPB100H 3PT5S0000C 00063 | | UPB100H 4PT5S0000C 00063 | | | |
| | 80A | UPB100H 3PT5S0000C 00080 | | UPB100H 4PT5S0000C 00080 | | | |
| | 100A | UPB100H 3PT5S0000C 00100 | | UPB100H 4PT5S0000C 00100 | | | |
| | 125A | UPB100H 3PT5S0000C 00125 | | UPB100H 4PT5S0000C 00125 | | | |
| UPB100L 130kA | 15A | UPB100L 3PT5S0000C 00015 | | UPB100L 4PT5S0000C 00015 | | 50°C, Screw type terminal connection, No option, 50/60Hz | MCCB /M2 |
| | 16A | UPB100L 3PT5S0000C 00016 | | UPB100L 4PT5S0000C 00016 | | | |
| | 20A | UPB100L 3PT5S0000C 00020 | | UPB100L 4PT5S0000C 00020 | | | |
| | 25A | UPB100L 3PT5S0000C 00025 | | UPB100L 4PT5S0000C 00025 | | | |
| | 30A | UPB100L 3PT5S0000C 00030 | | UPB100L 4PT5S0000C 00030 | | | |
| | 32A | UPB100L 3PT5S0000C 00032 | | UPB100L 4PT5S0000C 00032 | | | |
| | 40A | UPB100L 3PT5S0000C 00040 | | UPB100L 4PT5S0000C 00040 | | | |
| | 50A | UPB100L 3PT5S0000C 00050 | | UPB100L 4PT5S0000C 00050 | | | |
| | 63A | UPB100L 3PT5S0000C 00063 | | UPB100L 4PT5S0000C 00063 | | | |
| | 80A | UPB100L 3PT5S0000C 00080 | | UPB100L 4PT5S0000C 00080 | | | |
| | 100A | UPB100L 3PT5S0000C 00100 | | UPB100L 4PT5S0000C 00100 | | | |
| | 125A | UPB100L 3PT5S0000C 00125 | | UPB100L 4PT5S0000C 00125 | | | |
| UPB100X 150kA | 15A | UPB100X 3PT5S0000C 00015 | | UPB100X 4PT5S0000C 00015 | | 50°C, Screw type terminal connection, No option, 50/60Hz | MCCB /M2 |
| | 16A | UPB100X 3PT5S0000C 00016 | | UPB100X 4PT5S0000C 00016 | | | |
| | 20A | UPB100X 3PT5S0000C 00020 | | UPB100X 4PT5S0000C 00020 | | | |
| | 25A | UPB100X 3PT5S0000C 00025 | | UPB100X 4PT5S0000C 00025 | | | |
| | 30A | UPB100X 3PT5S0000C 00030 | | UPB100X 4PT5S0000C 00030 | | | |
| | 32A | UPB100X 3PT5S0000C 00032 | | UPB100X 4PT5S0000C 00032 | | | |
| | 40A | UPB100X 3PT5S0000C 00040 | | UPB100X 4PT5S0000C 00040 | | | |
| | 50A | UPB100X 3PT5S0000C 00050 | | UPB100X 4PT5S0000C 00050 | | | |
| | 63A | UPB100X 3PT5S0000C 00063 | | UPB100X 4PT5S0000C 00063 | | | |
| | 80A | UPB100X 3PT5S0000C 00080 | | UPB100X 4PT5S0000C 00080 | | | |
| | 100A | UPB100X 3PT5S0000C 00100 | | UPB100X 4PT5S0000C 00100 | | | |
| | 125A | UPB100X 3PT5S0000C 00125 | | UPB100X 4PT5S0000C 00125 | | | |

Specifications and Standard Order Codes

| Standard order code and unit |

- Adjustable thermal & fixed instantaneous / Thermal magnetic trip

40/45°C

| Model / Breaking capacity at AC380 / 415V | Rated current | 3 pole | | 4 pole | | Specification | Category |
|---|------------------|---------------------------|--------------|---------------------------|--------------|--|-------------|
| | | Code | Unit (EA) | Code | Unit (EA) | | |
| UPB100S 85kA | 15A | UPB100S 3PT4S0000C 00015F | | UPB100S 4PT4S0000C 00015F | | 40/45°C, Screw type terminal connection, No option, 50/60Hz | MCCB /M2 |
| | 16A | UPB100S 3PT4S0000C 00016F | | UPB100S 4PT4S0000C 00016F | | | |
| | 20A | UPB100S 3PT4S0000C 00020F | | UPB100S 4PT4S0000C 00020F | | | |
| | 25A | UPB100S 3PT4S0000C 00025F | | UPB100S 4PT4S0000C 00025F | | | |
| | 30A | UPB100S 3PT4S0000C 00030F | | UPB100S 4PT4S0000C 00030F | | | |
| | 32A | UPB100S 3PT4S0000C 00032F | | UPB100S 4PT4S0000C 00032F | | | |
| | 40A | UPB100S 3PT4S0000C 00040F | | UPB100S 4PT4S0000C 00040F | | | |
| | 50A | UPB100S 3PT4S0000C 00050F | | UPB100S 4PT4S0000C 00050F | | | |
| | 63A | UPB100S 3PT4S0000C 00063F | | UPB100S 4PT4S0000C 00063F | | | |
| | 80A | UPB100S 3PT4S0000C 00080F | | UPB100S 4PT4S0000C 00080F | | | |
| | 100A | UPB100S 3PT4S0000C 00100F | | UPB100S 4PT4S0000C 00100F | | | |
| | 125A | UPB100S 3PT4S0000C 00125F | | UPB100S 4PT4S0000C 00125F | | | |
| UPB100H 100kA | 15A | UPB100H 3PT4S0000C 00015F | | UPB100H 4PT4S0000C 00015F | | | |
| | 16A | UPB100H 3PT4S0000C 00016F | | UPB100H 4PT4S0000C 00016F | | | |
| | 20A | UPB100H 3PT4S0000C 00020F | | UPB100H 4PT4S0000C 00020F | | | |
| | 25A | UPB100H 3PT4S0000C 00025F | | UPB100H 4PT4S0000C 00025F | | | |
| | 30A | UPB100H 3PT4S0000C 00030F | | UPB100H 4PT4S0000C 00030F | | | |
| | 32A | UPB100H 3PT4S0000C 00032F | | UPB100H 4PT4S0000C 00032F | | | |
| | 40A | UPB100H 3PT4S0000C 00040F | | UPB100H 4PT4S0000C 00040F | | | |
| | 50A | UPB100H 3PT4S0000C 00050F | | UPB100H 4PT4S0000C 00050F | | | |
| | 63A | UPB100H 3PT4S0000C 00063F | | UPB100H 4PT4S0000C 00063F | | | |
| | 80A | UPB100H 3PT4S0000C 00080F | | UPB100H 4PT4S0000C 00080F | | | |
| | 100A | UPB100H 3PT4S0000C 00100F | | UPB100H 4PT4S0000C 00100F | | | |
| | 125A | UPB100H 3PT4S0000C 00125F | | UPB100H 4PT4S0000C 00125F | | | |
| UPB100L 130kA | 15A | UPB100L 3PT4S0000C 00015F | | UPB100L 4PT4S0000C 00015F | | | |
| | 16A | UPB100L 3PT4S0000C 00016F | | UPB100L 4PT4S0000C 00016F | | | |
| | 20A | UPB100L 3PT4S0000C 00020F | | UPB100L 4PT4S0000C 00020F | | | |
| | 25A | UPB100L 3PT4S0000C 00025F | | UPB100L 4PT4S0000C 00025F | | | |
| | 30A | UPB100L 3PT4S0000C 00030F | | UPB100L 4PT4S0000C 00030F | | | |
| | 32A | UPB100L 3PT4S0000C 00032F | | UPB100L 4PT4S0000C 00032F | | | |
| | 40A | UPB100L 3PT4S0000C 00040F | | UPB100L 4PT4S0000C 00040F | | | |
| | 50A | UPB100L 3PT4S0000C 00050F | | UPB100L 4PT4S0000C 00050F | | | |
| | 63A | UPB100L 3PT4S0000C 00063F | | UPB100L 4PT4S0000C 00063F | | | |
| | 80A | UPB100L 3PT4S0000C 00080F | | UPB100L 4PT4S0000C 00080F | | | |
| | 100A | UPB100L 3PT4S0000C 00100F | | UPB100L 4PT4S0000C 00100F | | | |
| | 125A | UPB100L 3PT4S0000C 00125F | | UPB100L 4PT4S0000C 00125F | | | |
| UPB100X 150kA | 15A | UPB100X 3PT4S0000C 00015F | | UPB100X 4PT4S0000C 00015F | | | |
| | 16A | UPB100X 3PT4S0000C 00016F | | UPB100X 4PT4S0000C 00016F | | | |
| | 20A | UPB100X 3PT4S0000C 00020F | | UPB100X 4PT4S0000C 00020F | | | |
| | 25A | UPB100X 3PT4S0000C 00025F | | UPB100X 4PT4S0000C 00025F | | | |
| | 30A | UPB100X 3PT4S0000C 00030F | | UPB100X 4PT4S0000C 00030F | | | |
| | 32A | UPB100X 3PT4S0000C 00032F | | UPB100X 4PT4S0000C 00032F | | | |
| | 40A | UPB100X 3PT4S0000C 00040F | | UPB100X 4PT4S0000C 00040F | | | |
| | 50A | UPB100X 3PT4S0000C 00050F | | UPB100X 4PT4S0000C 00050F | | | |
| | 63A | UPB100X 3PT4S0000C 00063F | | UPB100X 4PT4S0000C 00063F | | | |
| | 80A | UPB100X 3PT4S0000C 00080F | | UPB100X 4PT4S0000C 00080F | | | |
| | 100A | UPB100X 3PT4S0000C 00100F | | UPB100X 4PT4S0000C 00100F | | | |
| | 125A | UPB100X 3PT4S0000C 00125F | | UPB100X 4PT4S0000C 00125F | | | |

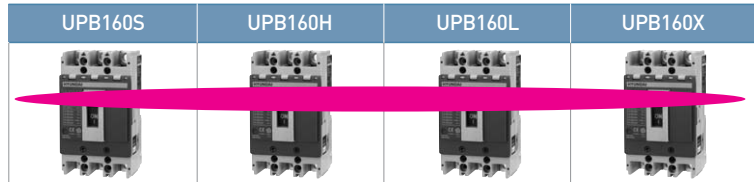
50°C

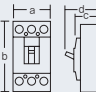
| Model / Breaking capacity at AC380 / 415V | Rated current | 3 pole | | 4 pole | | Specification | Category |
|---|------------------|---------------------------|--------------|---------------------------|--------------|---|-------------|
| | | Code | Unit (EA) | Code | Unit (EA) | | |
| UPB100S 85kA | 15A | UPB100S 3PT5S0000C 00015F | | UPB100S 4PT5S0000C 00015F | | 50°C, Screw type terminal connection, No option, 50/60Hz | MCCB /M2 |
| | 16A | UPB100S 3PT5S0000C 00016F | | UPB100S 4PT5S0000C 00016F | | | |
| | 20A | UPB100S 3PT5S0000C 00020F | | UPB100S 4PT5S0000C 00020F | | | |
| | 25A | UPB100S 3PT5S0000C 00025F | | UPB100S 4PT5S0000C 00025F | | | |
| | 30A | UPB100S 3PT5S0000C 00030F | | UPB100S 4PT5S0000C 00030F | | | |
| | 32A | UPB100S 3PT5S0000C 00032F | | UPB100S 4PT5S0000C 00032F | | | |
| | 40A | UPB100S 3PT5S0000C 00040F | | UPB100S 4PT5S0000C 00040F | | | |
| | 50A | UPB100S 3PT5S0000C 00050F | | UPB100S 4PT5S0000C 00050F | | | |
| | 63A | UPB100S 3PT5S0000C 00063F | | UPB100S 4PT5S0000C 00063F | | | |
| | 80A | UPB100S 3PT5S0000C 00080F | | UPB100S 4PT5S0000C 00080F | | | |
| | 100A | UPB100S 3PT5S0000C 00100F | | UPB100S 4PT5S0000C 00100F | | | |
| | 125A | UPB100S 3PT5S0000C 00125F | | UPB100S 4PT5S0000C 00125F | | | |
| UPB100H 100kA | 15A | UPB100H 3PT5S0000C 00015F | | UPB100H 4PT5S0000C 00015F | | 50°C, Screw type terminal connection, No option, 50/60Hz | MCCB /M2 |
| | 16A | UPB100H 3PT5S0000C 00016F | | UPB100H 4PT5S0000C 00016F | | | |
| | 20A | UPB100H 3PT5S0000C 00020F | | UPB100H 4PT5S0000C 00020F | | | |
| | 25A | UPB100H 3PT5S0000C 00025F | | UPB100H 4PT5S0000C 00025F | | | |
| | 30A | UPB100H 3PT5S0000C 00030F | | UPB100H 4PT5S0000C 00030F | | | |
| | 32A | UPB100H 3PT5S0000C 00032F | | UPB100H 4PT5S0000C 00032F | | | |
| | 40A | UPB100H 3PT5S0000C 00040F | | UPB100H 4PT5S0000C 00040F | | | |
| | 50A | UPB100H 3PT5S0000C 00050F | | UPB100H 4PT5S0000C 00050F | | | |
| | 63A | UPB100H 3PT5S0000C 00063F | | UPB100H 4PT5S0000C 00063F | | | |
| | 80A | UPB100H 3PT5S0000C 00080F | | UPB100H 4PT5S0000C 00080F | | | |
| | 100A | UPB100H 3PT5S0000C 00100F | | UPB100H 4PT5S0000C 00100F | | | |
| | 125A | UPB100H 3PT5S0000C 00125F | | UPB100H 4PT5S0000C 00125F | | | |
| UPB100L 130kA | 15A | UPB100L 3PT5S0000C 00015F | | UPB100L 4PT5S0000C 00015F | | 50°C, Screw type terminal connection, No option, 50/60Hz | MCCB /M2 |
| | 16A | UPB100L 3PT5S0000C 00016F | | UPB100L 4PT5S0000C 00016F | | | |
| | 20A | UPB100L 3PT5S0000C 00020F | | UPB100L 4PT5S0000C 00020F | | | |
| | 25A | UPB100L 3PT5S0000C 00025F | | UPB100L 4PT5S0000C 00025F | | | |
| | 30A | UPB100L 3PT5S0000C 00030F | | UPB100L 4PT5S0000C 00030F | | | |
| | 32A | UPB100L 3PT5S0000C 00032F | | UPB100L 4PT5S0000C 00032F | | | |
| | 40A | UPB100L 3PT5S0000C 00040F | | UPB100L 4PT5S0000C 00040F | | | |
| | 50A | UPB100L 3PT5S0000C 00050F | | UPB100L 4PT5S0000C 00050F | | | |
| | 63A | UPB100L 3PT5S0000C 00063F | | UPB100L 4PT5S0000C 00063F | | | |
| | 80A | UPB100L 3PT5S0000C 00080F | | UPB100L 4PT5S0000C 00080F | | | |
| | 100A | UPB100L 3PT5S0000C 00100F | | UPB100L 4PT5S0000C 00100F | | | |
| | 125A | UPB100L 3PT5S0000C 00125F | | UPB100L 4PT5S0000C 00125F | | | |
| UPB100X 150kA | 15A | UPB100X 3PT5S0000C 00015F | | UPB100X 4PT5S0000C 00015F | | 50°C, Screw type terminal connection, No option, 50/60Hz | MCCB /M2 |
| | 16A | UPB100X 3PT5S0000C 00016F | | UPB100X 4PT5S0000C 00016F | | | |
| | 20A | UPB100X 3PT5S0000C 00020F | | UPB100X 4PT5S0000C 00020F | | | |
| | 25A | UPB100X 3PT5S0000C 00025F | | UPB100X 4PT5S0000C 00025F | | | |
| | 30A | UPB100X 3PT5S0000C 00030F | | UPB100X 4PT5S0000C 00030F | | | |
| | 32A | UPB100X 3PT5S0000C 00032F | | UPB100X 4PT5S0000C 00032F | | | |
| | 40A | UPB100X 3PT5S0000C 00040F | | UPB100X 4PT5S0000C 00040F | | | |
| | 50A | UPB100X 3PT5S0000C 00050F | | UPB100X 4PT5S0000C 00050F | | | |
| | 63A | UPB100X 3PT5S0000C 00063F | | UPB100X 4PT5S0000C 00063F | | | |
| | 80A | UPB100X 3PT5S0000C 00080F | | UPB100X 4PT5S0000C 00080F | | | |
| | 100A | UPB100X 3PT5S0000C 00100F | | UPB100X 4PT5S0000C 00100F | | | |
| | 125A | UPB100X 3PT5S0000C 00125F | | UPB100X 4PT5S0000C 00125F | | | |

Specifications and Standard Order Codes

| UPB type / 160AF |

UPB160S 85kA
 UPB160H 100kA
 UPB160L 130kA
 UPB160X 150kA



| | | | | | | |
|---|---|--------------------------------|-----------------------|-------------------|-------------------|-------------------|
| Number of poles (P) | | 3, 4 | | | | |
| Degree of protection (with terminal cover) | | IP20 | | | | |
| Utilization category | | A | | | | |
| Suitability of isolation | | O | | | | |
| Protection | | overload, inst., short-circuit | | | | |
| Rating | Rated current (A) | Thermal magnetic type | | 100, 125, 160 | | |
| | | Electronic type | | 63-160 | | |
| | Rated insulation voltage [Ui] (V) | AC750 | | | | |
| | Rated operational voltage [Ue] (V) | AC690 | | | | |
| | Rated impulse withstand voltage [Uimp] (kV) | DC500 ¹⁾ | | | | |
| | | 8 | | | | |
| Rated short-circuit breaking capacity IEC 60947-2 K 60947-2 | Ultimate [Icu] (kA r.m.s.) | AC660/690V, 50-60Hz | 10 | 10 | 20 | 25 |
| | | AC480/500V, 50-60Hz | 50 | 65 | 85 | 85 |
| | | AC440/460V, 50-60Hz | 65 | 85 | 100 | 150 |
| | | AC380/415V, 50-60Hz | 85 | 100 | 130 | 150 |
| | | AC220/240V, 50-60Hz | 100 | 130 | 150 | 200 |
| | | DC250V | 50 ¹⁾ | 65 ¹⁾ | 85 ¹⁾ | 100 ¹⁾ |
| | DC125V | 65 ¹⁾ | 100 ¹⁾ | 100 ¹⁾ | 100 ¹⁾ | |
| Service [Ics] | % of [Icu] | 100 | | | | |
| Trip mechanism & Protection characteristics | Thermal magnetic | Fixed thermal, INST | O | | | |
| | | Fixed instantaneous | 10×In | | | |
| | | Adjustable thermal, LTD | (0.8×0.9×1)×In | | | |
| | | Fixed instantaneous | 10×In | | | |
| | | Adjustable thermal, LTD | (0.8×0.9×1)×In | | | |
| | Electronic | Adjustable instantaneous | INST | | | |
| | | Long time delay | LTD | | | |
| | | Short time delay | STD | | | |
| | | Instantaneous | INST | | | |
| | | Pre-trip alarm | PTA | | | |
| Pick-up LED | O | | | | | |
| Mounting | Direct mounting by screw | | O | | | |
| | Plug-in | for Switchboard | Both line & load side | O ²⁾ | | |
| | | | Line side only | O ²⁾ | | |
| Terminal connection | Screw | | O | | | |
| | Bus bar | | O | | | |
| Durability (times) | Mechanical operation | | 25,000 | | | |
| | Electrical operation | | 10,000 | | | |
| Dimensions (mm) |  | 3/4P | a | Width | 105/140 | |
| | | | b | Height | 165 | |
| | | | c | Depth | 86.5 | |
| | | | d | | 112 | |
| Weight (kg, breaker only) | 3/4P | | 2.0/2.4 | | | |

※ - The breaking capacity highlighted with blue and thick type is standard nominal value for each model in this catalogue.

1) DC is not applicable for electronic breaker. 2) Available for 3P breaker

| Accessories |

- Signal

| | | | | | | |
|----------------------------------|----------------------|-------------|-------------|-------------|-------------|-------------|
| Auxiliary switch | 1ab, Right-hand-side | | | | | |
| | AUX 12UP R1 | | | | | |
| Trip alarm switch | 1ab, Left-hand-side | | | | | |
| | ALT 12UP L1 | | | | | |
| Shunt trip ¹⁾ | DC24V | DC100-110V | AC100-120V | AC200-230V | AC380-415V | AC440-480V |
| | SHT 12UP A | SHT 12UP C | SHT 12UP F | SHT 12UP H | SHT 12UP B | SHT 12UP D |
| Under voltage trip ²⁾ | DC24V | DC100-110V | AC100-120V | AC200-230V | AC380-415V | AC440-480V |
| | *UVT 12UP J | *UVT 12UP L | *UVT 12UP N | *UVT 12UP P | *UVT 12UP Q | *UVT 12UP R |

※ 1) The permissible operating voltage: 85-110% of rated voltage for AC, 75-125% for DC

2) The permissible operating voltage: 85-110% of rated voltage(AC), 85-125% of rated voltage(DC)
 The tripping voltage: 20-70% of rated voltage(AC/DC)

*Reset is possible without power.

• Operating

| | | | | | |
|--------------------------------|------------------------|---------------|-----------------|-----------------|--------------|
| Operating handle ¹⁾ | Power supply direction | | Upper | Right | Left |
| | Surface | S type | TFG 12UPS U4 | TFG 12UPS R4 | TFG 12UPS L4 |
| | | L type | TFG 12UPL U4 | — | TFG 12UPL L4 |
| | Extended | S type | TFH 12UPS | | |
| L type | | TFH 12UPL | | | |
| Motor operator ²⁾ | | DC24V | AC/DC110V | AC/DC220V | |
| | | MOT 12UP DC24 | MOT 12UP ADC110 | MOT 12UP ADC220 | |
| Mechanical interlock | | MIF_____ | | | |

※ 1) For detail type information, please refer to page no. 191-199.

2) Motor operator is not recommended for marine application.

• Mounting

| | | | | |
|---------|------------------|-------------|---------------------------|--------------------|
| Plug-in | Structure | | For both line & load side | For line side only |
| | Mounting base | | TDM 12NEP | TDM 12NEF |
| | Connection block | 6C contact | CBM 26NE 6 | — |
| | | 12C contact | CBM 26NE 12 | — |

※ Available for 3P breaker

Connection blocks are required for internal accessory installation in both line & load side plug-in type 3P breaker.

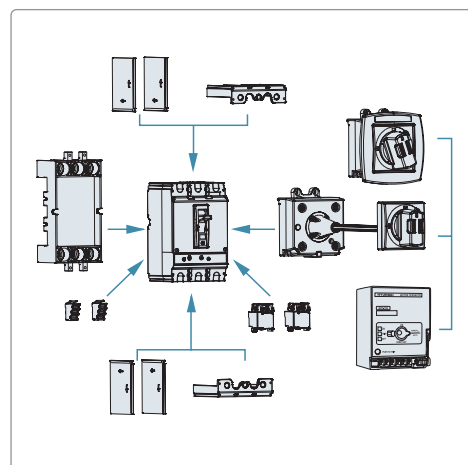
• Terminal

| | | |
|-----------------------------------|------------------|------------|
| Terminal bus bar | 3 pole (6EA/SET) | TBB 12NE 3 |
| | 4 pole (8EA/SET) | TBB 12NE 4 |
| Cage terminal block ¹⁾ | 3EA/SET | CTB_____ |
| | 6EA/SET | CTB_____ |
| Terminal cover ²⁾ | 3 pole | TCF 12UP 3 |
| | 4 pole | TCF 12UP 4 |
| Interpole barrier | 4EA/SET | TQQ 12NE |

※ 1) For both line and load side of MCCB, 2EA shall be ordered.

2) Supplied as standard component

Required quantity for both line and load side of MCCB: 3 pole 4EA, 4 pole 6EA



Standard order code and unit

• Electronic - LTD, STD, INST trip

| Model / Breaking capacity at AC380 / 415V | Rated current | 3 pole | | 4 pole | | Specification | Category |
|---|---------------|--------------------------|-----------|--------------------------|-----------|---|----------|
| | | Code | Unit (EA) | Code | Unit (EA) | | |
| UPB160S 85kA | 160A | UPB160S 3PESS0000X 00160 | | UPB160S 4PESS0000X 00160 | | Screw type terminal connection, No option, 50Hz | MCCB/M3 |
| UPB160H 100kA | 160A | UPB160H 3PESS0000X 00160 | | UPB160H 4PESS0000X 00160 | | | |
| UPB160L 130kA | 160A | UPB160L 3PESS0000X 00160 | | UPB160L 4PESS0000X 00160 | | | |
| UPB160X 150kA | 160A | UPB160X 3PESS0000X 00160 | | UPB160X 4PESS0000X 00160 | | | |
| UPB160S 85kA | 160A | UPB160S 3PESS0000Y 00160 | | UPB160S 4PESS0000Y 00160 | | Screw type terminal connection, No option, 60Hz | |
| UPB160H 100kA | 160A | UPB160H 3PESS0000Y 00160 | | UPB160H 4PESS0000Y 00160 | | | |
| UPB160L 130kA | 160A | UPB160L 3PESS0000Y 00160 | | UPB160L 4PESS0000Y 00160 | | | |
| UPB160X 150kA | 160A | UPB160X 3PESS0000Y 00160 | | UPB160X 4PESS0000Y 00160 | | | |

• Electronic - LTD, STD, INST, GFT trip & PTA

| Model / Breaking capacity at AC380 / 415V | Rated current | 3 pole | | 4 pole | | Specification | Category |
|---|---------------|--------------------------|-----------|--------------------------|-----------|---|----------|
| | | Code | Unit (EA) | Code | Unit (EA) | | |
| UPB160S 85kA | 160A | UPB160S 3PGSS0000X 00160 | | UPB160S 4PGSS0000X 00160 | | Screw type terminal connection, No option, 50Hz | MCCB/M3 |
| UPB160H 100kA | 160A | UPB160H 3PGSS0000X 00160 | | UPB160H 4PGSS0000X 00160 | | | |
| UPB160L 130kA | 160A | UPB160L 3PGSS0000X 00160 | | UPB160L 4PGSS0000X 00160 | | | |
| UPB160X 150kA | 160A | UPB160X 3PGSS0000X 00160 | | UPB160X 4PGSS0000X 00160 | | | |
| UPB160S 85kA | 160A | UPB160S 3PGSS0000Y 00160 | | UPB160S 4PGSS0000Y 00160 | | Screw type terminal connection, No option, 60Hz | |
| UPB160H 100kA | 160A | UPB160H 3PGSS0000Y 00160 | | UPB160H 4PGSS0000Y 00160 | | | |
| UPB160L 130kA | 160A | UPB160L 3PGSS0000Y 00160 | | UPB160L 4PGSS0000Y 00160 | | | |
| UPB160X 150kA | 160A | UPB160X 3PGSS0000Y 00160 | | UPB160X 4PGSS0000Y 00160 | | | |

Specifications and Standard Order Codes

| Standard order code and unit |

- Fixed thermal & fixed instantaneous / Thermal magnetic trip

40/45°C

| Model / Breaking capacity at AC380 / 415V | Rated current | 3 pole | | 4 pole | | Specification | Category |
|---|------------------|--------------------------|--------------|--------------------------|--------------|--|-------------|
| | | Code | Unit (EA) | Code | Unit (EA) | | |
| UPB160S 85kA | 100A | UPB160S 3PT4S0000C 00100 | | UPB160S 4PT4S0000C 00100 | | 40/45°C, Screw type terminal connection, No option, 50/60Hz | MCCB /M2 |
| | 125A | UPB160S 3PT4S0000C 00125 | | UPB160S 4PT4S0000C 00125 | | | |
| | 160A | UPB160S 3PT4S0000C 00160 | | UPB160S 4PT4S0000C 00160 | | | |
| UPB160H 100kA | 100A | UPB160H 3PT4S0000C 00100 | | UPB160H 4PT4S0000C 00100 | | | |
| | 125A | UPB160H 3PT4S0000C 00125 | | UPB160H 4PT4S0000C 00125 | | | |
| | 160A | UPB160H 3PT4S0000C 00160 | | UPB160H 4PT4S0000C 00160 | | | |
| UPB160L 130kA | 100A | UPB160L 3PT4S0000C 00100 | | UPB160L 4PT4S0000C 00100 | | | |
| | 125A | UPB160L 3PT4S0000C 00125 | | UPB160L 4PT4S0000C 00125 | | | |
| | 160A | UPB160L 3PT4S0000C 00160 | | UPB160L 4PT4S0000C 00160 | | | |
| UPB160X 150kA | 100A | UPB160X 3PT4S0000C 00100 | | UPB160X 4PT4S0000C 00100 | | | |
| | 125A | UPB160X 3PT4S0000C 00125 | | UPB160X 4PT4S0000C 00125 | | | |
| | 160A | UPB160X 3PT4S0000C 00160 | | UPB160X 4PT4S0000C 00160 | | | |

50°C

| Model / Breaking capacity at AC380 / 415V | Rated current | 3 pole | | 4 pole | | Specification | Category |
|---|------------------|--------------------------|--------------|--------------------------|--------------|---|-------------|
| | | Code | Unit (EA) | Code | Unit (EA) | | |
| UPB160S 85kA | 100A | UPB160S 3PT5S0000C 00100 | | UPB160S 4PT5S0000C 00100 | | 50°C, Screw type terminal connection, No option, 50/60Hz | MCCB /M2 |
| | 125A | UPB160S 3PT5S0000C 00125 | | UPB160S 4PT5S0000C 00125 | | | |
| | 160A | UPB160S 3PT5S0000C 00160 | | UPB160S 4PT5S0000C 00160 | | | |
| UPB160H 100kA | 100A | UPB160H 3PT5S0000C 00100 | | UPB160H 4PT5S0000C 00100 | | | |
| | 125A | UPB160H 3PT5S0000C 00125 | | UPB160H 4PT5S0000C 00125 | | | |
| | 160A | UPB160H 3PT5S0000C 00160 | | UPB160H 4PT5S0000C 00160 | | | |
| UPB160L 130kA | 100A | UPB160L 3PT5S0000C 00100 | | UPB160L 4PT5S0000C 00100 | | | |
| | 125A | UPB160L 3PT5S0000C 00125 | | UPB160L 4PT5S0000C 00125 | | | |
| | 160A | UPB160L 3PT5S0000C 00160 | | UPB160L 4PT5S0000C 00160 | | | |
| UPB160X 150kA | 100A | UPB160X 3PT5S0000C 00100 | | UPB160X 4PT5S0000C 00100 | | | |
| | 125A | UPB160X 3PT5S0000C 00125 | | UPB160X 4PT5S0000C 00125 | | | |
| | 160A | UPB160X 3PT5S0000C 00160 | | UPB160X 4PT5S0000C 00160 | | | |

- Adjustable thermal & fixed instantaneous / Thermal magnetic trip

40/45°C

| Model / Breaking capacity at AC380 / 415V | Rated current | 3 pole | | 4 pole | | Specification | Category |
|---|------------------|---------------------------|--------------|---------------------------|--------------|--|-------------|
| | | Code | Unit (EA) | Code | Unit (EA) | | |
| UPB160S 85kA | 100A | UPB160S 3PT4S0000C 00100F | | UPB160S 4PT4S0000C 00100F | | 40/45°C, Screw type terminal connection, No option, 50/60Hz | MCCB /M2 |
| | 125A | UPB160S 3PT4S0000C 00125F | | UPB160S 4PT4S0000C 00125F | | | |
| | 160A | UPB160S 3PT4S0000C 00160F | | UPB160S 4PT4S0000C 00160F | | | |
| UPB160H 100kA | 100A | UPB160H 3PT4S0000C 00100F | | UPB160H 4PT4S0000C 00100F | | | |
| | 125A | UPB160H 3PT4S0000C 00125F | | UPB160H 4PT4S0000C 00125F | | | |
| | 160A | UPB160H 3PT4S0000C 00160F | | UPB160H 4PT4S0000C 00160F | | | |
| UPB160L 130kA | 100A | UPB160L 3PT4S0000C 00100F | | UPB160L 4PT4S0000C 00100F | | | |
| | 125A | UPB160L 3PT4S0000C 00125F | | UPB160L 4PT4S0000C 00125F | | | |
| | 160A | UPB160L 3PT4S0000C 00160F | | UPB160L 4PT4S0000C 00160F | | | |
| UPB160X 150kA | 100A | UPB160X 3PT4S0000C 00100F | | UPB160X 4PT4S0000C 00100F | | | |
| | 125A | UPB160X 3PT4S0000C 00125F | | UPB160X 4PT4S0000C 00125F | | | |
| | 160A | UPB160X 3PT4S0000C 00160F | | UPB160X 4PT4S0000C 00160F | | | |

50°C

| Model / Breaking capacity at AC380 / 415V | Rated current | 3 pole | | 4 pole | | Specification | Category |
|---|------------------|---------------------------|--------------|---------------------------|--------------|---|-------------|
| | | Code | Unit (EA) | Code | Unit (EA) | | |
| UPB160S 85kA | 100A | UPB160S 3PT5S0000C 00100F | | UPB160S 4PT5S0000C 00100F | | 50°C, Screw type terminal connection, No option, 50/60Hz | MCCB /M2 |
| | 125A | UPB160S 3PT5S0000C 00125F | | UPB160S 4PT5S0000C 00125F | | | |
| | 160A | UPB160S 3PT5S0000C 00160F | | UPB160S 4PT5S0000C 00160F | | | |
| UPB160H 100kA | 100A | UPB160H 3PT5S0000C 00100F | | UPB160H 4PT5S0000C 00100F | | | |
| | 125A | UPB160H 3PT5S0000C 00125F | | UPB160H 4PT5S0000C 00125F | | | |
| | 160A | UPB160H 3PT5S0000C 00160F | | UPB160H 4PT5S0000C 00160F | | | |
| UPB160L 130kA | 100A | UPB160L 3PT5S0000C 00100F | | UPB160L 4PT5S0000C 00100F | | | |
| | 125A | UPB160L 3PT5S0000C 00125F | | UPB160L 4PT5S0000C 00125F | | | |
| | 160A | UPB160L 3PT5S0000C 00160F | | UPB160L 4PT5S0000C 00160F | | | |
| UPB160X 150kA | 100A | UPB160X 3PT5S0000C 00100F | | UPB160X 4PT5S0000C 00100F | | | |
| | 125A | UPB160X 3PT5S0000C 00125F | | UPB160X 4PT5S0000C 00125F | | | |
| | 160A | UPB160X 3PT5S0000C 00160F | | UPB160X 4PT5S0000C 00160F | | | |

- Adjustable thermal & adjustable instantaneous / Thermal magnetic trip

40/45°C

| Model / Breaking capacity at AC380 / 415V | Rated current | 3 pole | | 4 pole | | Specification | Category |
|---|------------------|---------------------------|--------------|---------------------------|--------------|--|-------------|
| | | Code | Unit (EA) | Code | Unit (EA) | | |
| UPB160S 85kA | 100A | UPB160S 3PT4S0000C 00100H | | UPB160S 4PT4S0000C 00100H | | 40/45°C, Screw type terminal connection, No option, 50/60Hz | MCCB /M2 |
| | 125A | UPB160S 3PT4S0000C 00125H | | UPB160S 4PT4S0000C 00125H | | | |
| | 160A | UPB160S 3PT4S0000C 00160H | | UPB160S 4PT4S0000C 00160H | | | |
| UPB160H 100kA | 100A | UPB160H 3PT4S0000C 00100H | | UPB160H 4PT4S0000C 00100H | | | |
| | 125A | UPB160H 3PT4S0000C 00125H | | UPB160H 4PT4S0000C 00125H | | | |
| | 160A | UPB160H 3PT4S0000C 00160H | | UPB160H 4PT4S0000C 00160H | | | |
| UPB160L 130kA | 100A | UPB160L 3PT4S0000C 00100H | | UPB160L 4PT4S0000C 00100H | | | |
| | 125A | UPB160L 3PT4S0000C 00125H | | UPB160L 4PT4S0000C 00125H | | | |
| | 160A | UPB160L 3PT4S0000C 00160H | | UPB160L 4PT4S0000C 00160H | | | |
| UPB160X 150kA | 100A | UPB160X 3PT4S0000C 00100H | | UPB160X 4PT4S0000C 00100H | | | |
| | 125A | UPB160X 3PT4S0000C 00125H | | UPB160X 4PT4S0000C 00125H | | | |
| | 160A | UPB160X 3PT4S0000C 00160H | | UPB160X 4PT4S0000C 00160H | | | |

50°C

| Model / Breaking capacity at AC380 / 415V | Rated current | 3 pole | | 4 pole | | Specification | Category |
|---|------------------|---------------------------|--------------|---------------------------|--------------|---|-------------|
| | | Code | Unit (EA) | Code | Unit (EA) | | |
| UPB160S 85kA | 100A | UPB160S 3PT5S0000C 00100H | | UPB160S 4PT5S0000C 00100H | | 50°C, Screw type terminal connection, No option, 50/60Hz | MCCB /M2 |
| | 125A | UPB160S 3PT5S0000C 00125H | | UPB160S 4PT5S0000C 00125H | | | |
| | 160A | UPB160S 3PT5S0000C 00160H | | UPB160S 4PT5S0000C 00160H | | | |
| UPB160H 100kA | 100A | UPB160H 3PT5S0000C 00100H | | UPB160H 4PT5S0000C 00100H | | | |
| | 125A | UPB160H 3PT5S0000C 00125H | | UPB160H 4PT5S0000C 00125H | | | |
| | 160A | UPB160H 3PT5S0000C 00160H | | UPB160H 4PT5S0000C 00160H | | | |
| UPB160L 130kA | 100A | UPB160L 3PT5S0000C 00100H | | UPB160L 4PT5S0000C 00100H | | | |
| | 125A | UPB160L 3PT5S0000C 00125H | | UPB160L 4PT5S0000C 00125H | | | |
| | 160A | UPB160L 3PT5S0000C 00160H | | UPB160L 4PT5S0000C 00160H | | | |
| UPB160X 150kA | 100A | UPB160X 3PT5S0000C 00100H | | UPB160X 4PT5S0000C 00100H | | | |
| | 125A | UPB160X 3PT5S0000C 00125H | | UPB160X 4PT5S0000C 00125H | | | |
| | 160A | UPB160X 3PT5S0000C 00160H | | UPB160X 4PT5S0000C 00160H | | | |

Specifications and Standard Order Codes

| UPB type / 250AF |

UPB250S 85kA
 UPB250H 100kA
 UPB250L 130kA
 UPB250X 150kA



| | | | | | | | | |
|---|---|--------------------------|---------------------|-----------------------------------|---|-------------------|-------------------|--|
| Number of poles (P) | | | | 3, 4 | | | | |
| Degree of protection (with terminal cover) | | | | IP20 | | | | |
| Utilization category | | | | A | | | | |
| Suitability of isolation | | | | O | | | | |
| Protection | | | | overload, inst., short-circuit | | | | |
| Rating | Rated current (A) | Thermal magnetic type | | 125, 150, 160, 175, 200, 225, 250 | | | | |
| | | Electronic type | | 100-250 | | | | |
| | Rated insulation voltage [Ui] (V) | | AC750 | | | | | |
| | Rated operational voltage [Ue] (V) | | AC690 | | | | | |
| | Rated impulse withstand voltage [Uimp] (kV) | | DC500 ¹⁾ | | | | | |
| Rated short-circuit breaking capacity | Ultimate [Icu] (kA r.m.s.) | AC660/690V, 50-60Hz | | 10 | 10 | 20 | 25 | |
| | | AC480/500V, 50-60Hz | | 50 | 65 | 85 | 85 | |
| | | AC440/460V, 50-60Hz | | 65 | 85 | 100 | 150 | |
| | | AC380/415V, 50-60Hz | | 85 | 100 | 130 | 150 | |
| | | AC220/240V, 50-60Hz | | 100 | 130 | 150 | 200 | |
| | IEC 60947-2 K 60947-2 | DC250V | | 50 ¹⁾ | 65 ¹⁾ | 85 ¹⁾ | 100 ¹⁾ | |
| | | DC125V | | 65 ¹⁾ | 100 ¹⁾ | 100 ¹⁾ | 100 ¹⁾ | |
| Service [Ics] | % of [Icu] | | 100 | | | | | |
| Trip mechanism & Protection characteristics | Thermal magnetic | Fixed thermal, | | O | | | | |
| | | Fixed instantaneous | INST | 10×In | | | | |
| | | | Adjustable thermal, | LTD | (0.8×0.9×1)×In | | | |
| | | Fixed instantaneous | INST | 10×In | | | | |
| | | | Adjustable thermal, | LTD | (0.8×0.9×1)×In | | | |
| | | Adjustable instantaneous | INST | (5-6-7-8-9-10)×In | | | | |
| | Electronic | Long time delay | | LTD | 100, 110, 125, 140, 160, 175, 200, 225, 250 | | | |
| | | Short time delay | | STD | (2-3-4-5-6-7-8-9-10)×Ir | | | |
| | | Instantaneous | | INST | 11×In | | | |
| | | Pre-trip alarm | | PTA | ? | | | |
| Pick-up LED | | O | | | | | | |
| Mounting | Direct mounting by screw | | | O | | | | |
| | Plug-in | for Switchboard | | Both line & load side | | | | |
| | | Line side only | | O ²⁾ | | | | |
| Terminal connection | | Screw | | O | | | | |
| Terminal connection | | Bus bar | | O | | | | |
| Durability (times) | Mechanical operation | | | 25,000 | | | | |
| | Electrical operation | | | 10,000 | | | | |
| Dimensions (mm) | | 3/4P | a | Width | 105/140 | | | |
| | | | b | Height | 165 | | | |
| | | | c | Depth | 86.5 | | | |
| | | | d | | 112 | | | |
| Weight (kg, breaker only) | | 3/4P | | 2.0/2.4 | | | | |

※ - The breaking capacity highlighted with blue and thick type is standard nominal value for each model in this catalogue.
 1) DC is not applicable for electronic breaker. 2) Available for 3P breaker

Accessories

Signal

| | | | | | | |
|----------------------------------|----------------------|-------------|-------------|-------------|-------------|-------------|
| Auxiliary switch | 1ab, Right-hand-side | | | | | |
| | AUX 12UP R1 | | | | | |
| Trip alarm switch | 1ab, Left-hand-side | | | | | |
| | ALT 12UP L1 | | | | | |
| Shunt trip ¹⁾ | DC24V | DC100-110V | AC100-120V | AC200-230V | AC380-415V | AC440-480V |
| | SHT 12UP A | SHT 12UP C | SHT 12UP F | SHT 12UP H | SHT 12UP B | SHT 12UP D |
| Under voltage trip ²⁾ | DC24V | DC100-110V | AC100-120V | AC200-230V | AC380-415V | AC440-480V |
| | *UVT 12UP J | *UVT 12UP L | *UVT 12UP N | *UVT 12UP P | *UVT 12UP Q | *UVT 12UP R |

- ※ 1) The permissible operating voltage: 85-110% of rated voltage for AC , 75-125% for DC
- 2) The permissible operating voltage: 85-110% of rated voltage(AC), 85-125% of rated voltage(DC)
The tripping voltage: 20-70% of rated voltage(AC/DC)
*Reset is possible without power.

Operating

| | | | | | |
|--------------------------------|------------------------|-----------|-----------------|-----------------|--------------|
| Operating handle ¹⁾ | Power supply direction | | Upper | Right | Left |
| | Surface | S type | TFG 12UPS U4 | TFG 12UPS R4 | TFG 12UPS L4 |
| | | L type | TFG 12UPL U4 | — | TFG 12UPL L4 |
| | Extended | S type | TFH 12UPS | | |
| L type | | TFH 12UPL | | | |
| Motor operator ²⁾ | DC24V | | AC/DC110V | AC/DC220V | |
| | MOT 12UP DC24 | | MOT 12UP ADC110 | MOT 12UP ADC220 | |
| Mechanical interlock | | MIF _____ | | | |

- ※ 1) For detail type information, please refer to page no. 191-199.
- 2) Motor operator is not recommended for marine application.

Mounting

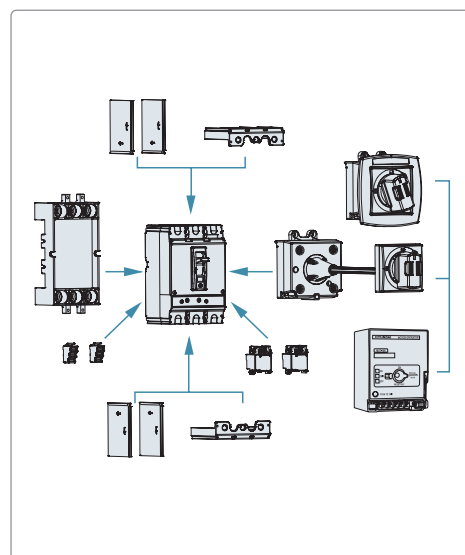
| | | | | |
|---------|------------------|-------------|---------------------------|--------------------|
| Plug-in | Structure | | For both line & load side | For line side only |
| | Mounting base | | TDM 12NEP | TDM 12NEF |
| | Connection block | 6C contact | CBM 26NE 6 | — |
| | | 12C contact | CBM 26NE 12 | — |

- ※ Available for 3P breaker
Connection blocks are required for internal accessory installation in both line & load side plug-in type 3P breaker.

Terminal

| | | |
|---------------------------------|------------------|------------|
| Terminal bus bar | 3 pole (6EA/SET) | TBB 12NE 3 |
| | 4 pole (8EA/SET) | TBB 12NE 4 |
| Cage terminal block | 3EA/SET | CTB_ |
| | 6EA/SET | CTB_ |
| Terminal cover ¹⁾ | 3 pole | TCF 12UP 3 |
| | 4 pole | TCF 12UP 4 |
| Interpole barrier ²⁾ | 4EA/SET | TQQ 12NE |

- ※ 1) For both line and load side of MCCB, 2EA shall be ordered.
- 2) Supplied as standard component
Required quantity for both line and load side of MCCB: 3 pole 4EA, 4 pole 6EA



Specifications and Standard Order Codes

| Standard order code and unit |

- Electronic - LTD, STD, INST trip

| Model / Breaking capacity at AC380 / 415V | Rated current | 3 pole | | 4 pole | | Specification | Category |
|---|------------------|--------------------------|--------------|--------------------------|--------------|---|-------------|
| | | Code | Unit (EA) | Code | Unit (EA) | | |
| UPB250S 85kA | 250A | UPB250S 3PESS0000X 00250 | | UPB250S 4PESS0000X 00250 | | Screw type terminal connection, No option, 50Hz | MCCB /M3 |
| UPB250H 100kA | 250A | UPB250H 3PESS0000X 00250 | | UPB250H 4PESS0000X 00250 | | | |
| UPB250L 130kA | 250A | UPB250L 3PESS0000X 00250 | | UPB250L 4PESS0000X 00250 | | | |
| UPB250X 150kA | 250A | UPB250X 3PESS0000X 00250 | | UPB250X 4PESS0000X 00250 | | | |
| UPB250S 85kA | 250A | UPB250S 3PESS0000Y 00250 | | UPB250S 4PESS0000Y 00250 | | Screw type terminal connection, No option, 60Hz | |
| UPB250H 100kA | 250A | UPB250H 3PESS0000Y 00250 | | UPB250H 4PESS0000Y 00250 | | | |
| UPB250L 130kA | 250A | UPB250L 3PESS0000Y 00250 | | UPB250L 4PESS0000Y 00250 | | | |
| UPB250X 150kA | 250A | UPB250X 3PESS0000Y 00250 | | UPB250X 4PESS0000Y 00250 | | | |

- Electronic - LTD, STD, INST, GFT trip & PTA

| Model / Breaking capacity at AC380 / 415V | Rated current | 3 pole | | 4 pole | | Specification | Category |
|---|------------------|--------------------------|--------------|--------------------------|--------------|---|-------------|
| | | Code | Unit (EA) | Code | Unit (EA) | | |
| UPB250S 85kA | 250A | UPB250S 3PGSS0000X 00250 | | UPB250S 4PGSS0000X 00250 | | Screw type terminal connection, No option, 50Hz | MCCB /M3 |
| UPB250H 100kA | 250A | UPB250H 3PGSS0000X 00250 | | UPB250H 4PGSS0000X 00250 | | | |
| UPB250L 130kA | 250A | UPB250L 3PGSS0000X 00250 | | UPB250L 4PGSS0000X 00250 | | | |
| UPB250X 150kA | 250A | UPB250X 3PGSS0000X 00250 | | UPB250X 4PGSS0000X 00250 | | | |
| UPB250S 85kA | 250A | UPB250S 3PGSS0000Y 00250 | | UPB250S 4PGSS0000Y 00250 | | Screw type terminal connection, No option, 60Hz | |
| UPB250H 100kA | 250A | UPB250H 3PGSS0000Y 00250 | | UPB250H 4PGSS0000Y 00250 | | | |
| UPB250L 130kA | 250A | UPB250L 3PGSS0000Y 00250 | | UPB250L 4PGSS0000Y 00250 | | | |
| UPB250X 150kA | 250A | UPB250X 3PGSS0000Y 00250 | | UPB250X 4PGSS0000Y 00250 | | | |

| Standard order code and unit |

- Fixed thermal & fixed instantaneous / Thermal magnetic trip

40/45°C

| Model / Breaking capacity at AC380 / 415V | Rated current | 3 pole | | 4 pole | | Specification | Category |
|---|------------------|--------------------------|--------------|--------------------------|--------------|--|-------------|
| | | Code | Unit (EA) | Code | Unit (EA) | | |
| UPB250S 85kA | 125A | UPB250S 3PT4S0000C 00125 | | UPB250S 4PT4S0000C 00125 | | 40/45°C, Screw type terminal connection, No option, 50/60Hz | MCCB /M2 |
| | 150A | UPB250S 3PT4S0000C 00150 | | UPB250S 4PT4S0000C 00150 | | | |
| | 160A | UPB250S 3PT4S0000C 00160 | | UPB250S 4PT4S0000C 00160 | | | |
| | 175A | UPB250S 3PT4S0000C 00175 | | UPB250S 4PT4S0000C 00175 | | | |
| | 200A | UPB250S 3PT4S0000C 00200 | | UPB250S 4PT4S0000C 00200 | | | |
| | 225A | UPB250S 3PT4S0000C 00225 | | UPB250S 4PT4S0000C 00225 | | | |
| | 250A | UPB250S 3PT4S0000C 00250 | | UPB250S 4PT4S0000C 00250 | | | |
| UPB250H 100kA | 125A | UPB250H 3PT4S0000C 00125 | | UPB250H 4PT4S0000C 00125 | | | |
| | 150A | UPB250H 3PT4S0000C 00150 | | UPB250H 4PT4S0000C 00150 | | | |
| | 160A | UPB250H 3PT4S0000C 00160 | | UPB250H 4PT4S0000C 00160 | | | |
| | 175A | UPB250H 3PT4S0000C 00175 | | UPB250H 4PT4S0000C 00175 | | | |
| | 200A | UPB250H 3PT4S0000C 00200 | | UPB250H 4PT4S0000C 00200 | | | |
| | 225A | UPB250H 3PT4S0000C 00225 | | UPB250H 4PT4S0000C 00225 | | | |
| | 250A | UPB250H 3PT4S0000C 00250 | | UPB250H 4PT4S0000C 00250 | | | |
| UPB250L 130kA | 125A | UPB250L 3PT4S0000C 00125 | | UPB250L 4PT4S0000C 00125 | | | |
| | 150A | UPB250L 3PT4S0000C 00150 | | UPB250L 4PT4S0000C 00150 | | | |
| | 160A | UPB250L 3PT4S0000C 00160 | | UPB250L 4PT4S0000C 00160 | | | |
| | 175A | UPB250L 3PT4S0000C 00175 | | UPB250L 4PT4S0000C 00175 | | | |
| | 200A | UPB250L 3PT4S0000C 00200 | | UPB250L 4PT4S0000C 00200 | | | |
| | 225A | UPB250L 3PT4S0000C 00225 | | UPB250L 4PT4S0000C 00225 | | | |
| | 250A | UPB250L 3PT4S0000C 00250 | | UPB250L 4PT4S0000C 00250 | | | |
| UPB250X 150kA | 125A | UPB250X 3PT4S0000C 00125 | | UPB250X 4PT4S0000C 00125 | | | |
| | 150A | UPB250X 3PT4S0000C 00150 | | UPB250X 4PT4S0000C 00150 | | | |
| | 160A | UPB250X 3PT4S0000C 00160 | | UPB250X 4PT4S0000C 00160 | | | |
| | 175A | UPB250X 3PT4S0000C 00175 | | UPB250X 4PT4S0000C 00175 | | | |
| | 200A | UPB250X 3PT4S0000C 00200 | | UPB250X 4PT4S0000C 00200 | | | |
| | 225A | UPB250X 3PT4S0000C 00225 | | UPB250X 4PT4S0000C 00225 | | | |
| | 250A | UPB250X 3PT4S0000C 00250 | | UPB250X 4PT4S0000C 00250 | | | |

50°C

| Model / Breaking capacity at AC380 / 415V | Rated current | 3 pole | | 4 pole | | Specification | Category |
|---|------------------|--------------------------|--------------|--------------------------|--------------|---|-------------|
| | | Code | Unit (EA) | Code | Unit (EA) | | |
| UPB250S 85kA | 125A | UPB250S 3PT5S0000C 00125 | | UPB250S 4PT5S0000C 00125 | | 50°C, Screw type terminal connection, No option, 50/60Hz | MCCB /M2 |
| | 150A | UPB250S 3PT5S0000C 00150 | | UPB250S 4PT5S0000C 00150 | | | |
| | 160A | UPB250S 3PT5S0000C 00160 | | UPB250S 4PT5S0000C 00160 | | | |
| | 175A | UPB250S 3PT5S0000C 00175 | | UPB250S 4PT5S0000C 00175 | | | |
| | 200A | UPB250S 3PT5S0000C 00200 | | UPB250S 4PT5S0000C 00200 | | | |
| | 225A | UPB250S 3PT5S0000C 00225 | | UPB250S 4PT5S0000C 00225 | | | |
| | 250A | UPB250S 3PT5S0000C 00250 | | UPB250S 4PT5S0000C 00250 | | | |
| UPB250H 100kA | 125A | UPB250H 3PT5S0000C 00125 | | UPB250H 4PT5S0000C 00125 | | | |
| | 150A | UPB250H 3PT5S0000C 00150 | | UPB250H 4PT5S0000C 00150 | | | |
| | 160A | UPB250H 3PT5S0000C 00160 | | UPB250H 4PT5S0000C 00160 | | | |
| | 175A | UPB250H 3PT5S0000C 00175 | | UPB250H 4PT5S0000C 00175 | | | |
| | 200A | UPB250H 3PT5S0000C 00200 | | UPB250H 4PT5S0000C 00200 | | | |
| | 225A | UPB250H 3PT5S0000C 00225 | | UPB250H 4PT5S0000C 00225 | | | |
| | 250A | UPB250H 3PT5S0000C 00250 | | UPB250H 4PT5S0000C 00250 | | | |
| UPB250L 130kA | 125A | UPB250L 3PT5S0000C 00125 | | UPB250L 4PT5S0000C 00125 | | | |
| | 150A | UPB250L 3PT5S0000C 00150 | | UPB250L 4PT5S0000C 00150 | | | |
| | 160A | UPB250L 3PT5S0000C 00160 | | UPB250L 4PT5S0000C 00160 | | | |
| | 175A | UPB250L 3PT5S0000C 00175 | | UPB250L 4PT5S0000C 00175 | | | |
| | 200A | UPB250L 3PT5S0000C 00200 | | UPB250L 4PT5S0000C 00200 | | | |
| | 225A | UPB250L 3PT5S0000C 00225 | | UPB250L 4PT5S0000C 00225 | | | |
| | 250A | UPB250L 3PT5S0000C 00250 | | UPB250L 4PT5S0000C 00250 | | | |
| UPB250X 150kA | 125A | UPB250X 3PT5S0000C 00125 | | UPB250X 4PT5S0000C 00125 | | | |
| | 150A | UPB250X 3PT5S0000C 00150 | | UPB250X 4PT5S0000C 00150 | | | |
| | 160A | UPB250X 3PT5S0000C 00160 | | UPB250X 4PT5S0000C 00160 | | | |
| | 175A | UPB250X 3PT5S0000C 00175 | | UPB250X 4PT5S0000C 00175 | | | |
| | 200A | UPB250X 3PT5S0000C 00200 | | UPB250X 4PT5S0000C 00200 | | | |
| | 225A | UPB250X 3PT5S0000C 00225 | | UPB250X 4PT5S0000C 00225 | | | |
| | 250A | UPB250X 3PT5S0000C 00250 | | UPB250X 4PT5S0000C 00250 | | | |

Specifications and Standard Order Codes

| Standard order code and unit |

- Adjustable thermal & fixed instantaneous / Thermal magnetic trip

40/45°C

| Model / Breaking capacity at AC380 / 415V | Rated current | 3 pole | | 4 pole | | Specification | Category |
|---|------------------|---------------------------|--------------|---------------------------|--------------|--|-------------|
| | | Code | Unit (EA) | Code | Unit (EA) | | |
| UPB250S 85kA | 125A | UPB250S 3PT4S0000C 00125F | | UPB250S 4PT4S0000C 00125F | | 40/45°C, Screw type terminal connection, No option, 50/60Hz | MCCB /M2 |
| | 150A | UPB250S 3PT4S0000C 00150F | | UPB250S 4PT4S0000C 00150F | | | |
| | 160A | UPB250S 3PT4S0000C 00160F | | UPB250S 4PT4S0000C 00160F | | | |
| | 175A | UPB250S 3PT4S0000C 00175F | | UPB250S 4PT4S0000C 00175F | | | |
| | 200A | UPB250S 3PT4S0000C 00200F | | UPB250S 4PT4S0000C 00200F | | | |
| | 225A | UPB250S 3PT4S0000C 00225F | | UPB250S 4PT4S0000C 00225F | | | |
| UPB250H 100kA | 250A | UPB250S 3PT4S0000C 00250F | | UPB250S 4PT4S0000C 00250F | | | |
| | 125A | UPB250H 3PT4S0000C 00125F | | UPB250H 4PT4S0000C 00125F | | | |
| | 150A | UPB250H 3PT4S0000C 00150F | | UPB250H 4PT4S0000C 00150F | | | |
| | 160A | UPB250H 3PT4S0000C 00160F | | UPB250H 4PT4S0000C 00160F | | | |
| | 175A | UPB250H 3PT4S0000C 00175F | | UPB250H 4PT4S0000C 00175F | | | |
| | 200A | UPB250H 3PT4S0000C 00200F | | UPB250H 4PT4S0000C 00200F | | | |
| UPB250L 130kA | 225A | UPB250H 3PT4S0000C 00225F | | UPB250H 4PT4S0000C 00225F | | | |
| | 250A | UPB250H 3PT4S0000C 00250F | | UPB250H 4PT4S0000C 00250F | | | |
| | 125A | UPB250L 3PT4S0000C 00125F | | UPB250L 4PT4S0000C 00125F | | | |
| | 150A | UPB250L 3PT4S0000C 00150F | | UPB250L 4PT4S0000C 00150F | | | |
| | 160A | UPB250L 3PT4S0000C 00160F | | UPB250L 4PT4S0000C 00160F | | | |
| | 175A | UPB250L 3PT4S0000C 00175F | | UPB250L 4PT4S0000C 00175F | | | |
| UPB250X 150kA | 200A | UPB250L 3PT4S0000C 00200F | | UPB250L 4PT4S0000C 00200F | | | |
| | 225A | UPB250L 3PT4S0000C 00225F | | UPB250L 4PT4S0000C 00225F | | | |
| | 250A | UPB250L 3PT4S0000C 00250F | | UPB250L 4PT4S0000C 00250F | | | |
| | 125A | UPB250X 3PT4S0000C 00125F | | UPB250X 4PT4S0000C 00125F | | | |
| | 150A | UPB250X 3PT4S0000C 00150F | | UPB250X 4PT4S0000C 00150F | | | |
| | 160A | UPB250X 3PT4S0000C 00160F | | UPB250X 4PT4S0000C 00160F | | | |
| UPB250X 150kA | 175A | UPB250X 3PT4S0000C 00175F | | UPB250X 4PT4S0000C 00175F | | | |
| | 200A | UPB250X 3PT4S0000C 00200F | | UPB250X 4PT4S0000C 00200F | | | |
| | 225A | UPB250X 3PT4S0000C 00225F | | UPB250X 4PT4S0000C 00225F | | | |
| | 250A | UPB250X 3PT4S0000C 00250F | | UPB250X 4PT4S0000C 00250F | | | |

50°C

| Model / Breaking capacity at AC380 / 415V | Rated current | 3 pole | | 4 pole | | Specification | Category |
|---|------------------|---------------------------|--------------|---------------------------|--------------|---|-------------|
| | | Code | Unit (EA) | Code | Unit (EA) | | |
| UPB250S 85kA | 125A | UPB250S 3PT5S0000C 00125F | | UPB250S 4PT5S0000C 00125F | | 50°C, Screw type terminal connection, No option, 50/60Hz | MCCB /M2 |
| | 150A | UPB250S 3PT5S0000C 00150F | | UPB250S 4PT5S0000C 00150F | | | |
| | 160A | UPB250S 3PT5S0000C 00160F | | UPB250S 4PT5S0000C 00160F | | | |
| | 175A | UPB250S 3PT5S0000C 00175F | | UPB250S 4PT5S0000C 00175F | | | |
| | 200A | UPB250S 3PT5S0000C 00200F | | UPB250S 4PT5S0000C 00200F | | | |
| | 225A | UPB250S 3PT5S0000C 00225F | | UPB250S 4PT5S0000C 00225F | | | |
| UPB250H 100kA | 250A | UPB250S 3PT5S0000C 00250F | | UPB250S 4PT5S0000C 00250F | | | |
| | 125A | UPB250H 3PT5S0000C 00125F | | UPB250H 4PT5S0000C 00125F | | | |
| | 150A | UPB250H 3PT5S0000C 00150F | | UPB250H 4PT5S0000C 00150F | | | |
| | 160A | UPB250H 3PT5S0000C 00160F | | UPB250H 4PT5S0000C 00160F | | | |
| | 175A | UPB250H 3PT5S0000C 00175F | | UPB250H 4PT5S0000C 00175F | | | |
| | 200A | UPB250H 3PT5S0000C 00200F | | UPB250H 4PT5S0000C 00200F | | | |
| UPB250L 130kA | 225A | UPB250H 3PT5S0000C 00225F | | UPB250H 4PT5S0000C 00225F | | | |
| | 250A | UPB250H 3PT5S0000C 00250F | | UPB250H 4PT5S0000C 00250F | | | |
| | 125A | UPB250L 3PT5S0000C 00125F | | UPB250L 4PT5S0000C 00125F | | | |
| | 150A | UPB250L 3PT5S0000C 00150F | | UPB250L 4PT5S0000C 00150F | | | |
| | 160A | UPB250L 3PT5S0000C 00160F | | UPB250L 4PT5S0000C 00160F | | | |
| | 175A | UPB250L 3PT5S0000C 00175F | | UPB250L 4PT5S0000C 00175F | | | |
| UPB250X 150kA | 200A | UPB250L 3PT5S0000C 00200F | | UPB250L 4PT5S0000C 00200F | | | |
| | 225A | UPB250L 3PT5S0000C 00225F | | UPB250L 4PT5S0000C 00225F | | | |
| | 250A | UPB250L 3PT5S0000C 00250F | | UPB250L 4PT5S0000C 00250F | | | |
| | 125A | UPB250X 3PT5S0000C 00125F | | UPB250X 4PT5S0000C 00125F | | | |
| | 150A | UPB250X 3PT5S0000C 00150F | | UPB250X 4PT5S0000C 00150F | | | |
| | 160A | UPB250X 3PT5S0000C 00160F | | UPB250X 4PT5S0000C 00160F | | | |
| UPB250X 150kA | 175A | UPB250X 3PT5S0000C 00175F | | UPB250X 4PT5S0000C 00175F | | | |
| | 200A | UPB250X 3PT5S0000C 00200F | | UPB250X 4PT5S0000C 00200F | | | |
| | 225A | UPB250X 3PT5S0000C 00225F | | UPB250X 4PT5S0000C 00225F | | | |
| | 250A | UPB250X 3PT5S0000C 00250F | | UPB250X 4PT5S0000C 00250F | | | |

| Standard order code and unit |

- Adjustable thermal & adjustable instantaneous / Thermal magnetic trip

40/45°C

| Model / Breaking capacity at AC380 / 415V | Rated current | 3 pole | | 4 pole | | Specification | Category |
|---|------------------|---------------------------|--------------|---------------------------|--------------|--|-------------|
| | | Code | Unit (EA) | Code | Unit (EA) | | |
| UPB250S 85kA | 125A | UPB250S 3PT4S0000C 00125H | | UPB250S 4PT4S0000C 00125H | | 40/45°C, Screw type terminal connection, No option, 50/60Hz | MCCB /M2 |
| | 150A | UPB250S 3PT4S0000C 00150H | | UPB250S 4PT4S0000C 00150H | | | |
| | 160A | UPB250S 3PT4S0000C 00160H | | UPB250S 4PT4S0000C 00160H | | | |
| | 175A | UPB250S 3PT4S0000C 00175H | | UPB250S 4PT4S0000C 00175H | | | |
| | 200A | UPB250S 3PT4S0000C 00200H | | UPB250S 4PT4S0000C 00200H | | | |
| | 225A | UPB250S 3PT4S0000C 00225H | | UPB250S 4PT4S0000C 00225H | | | |
| UPB250H 100kA | 250A | UPB250S 3PT4S0000C 00250H | | UPB250S 4PT4S0000C 00250H | | | |
| | 125A | UPB250H 3PT4S0000C 00125H | | UPB250H 4PT4S0000C 00125H | | | |
| | 150A | UPB250H 3PT4S0000C 00150H | | UPB250H 4PT4S0000C 00150H | | | |
| | 160A | UPB250H 3PT4S0000C 00160H | | UPB250H 4PT4S0000C 00160H | | | |
| | 175A | UPB250H 3PT4S0000C 00175H | | UPB250H 4PT4S0000C 00175H | | | |
| | 200A | UPB250H 3PT4S0000C 00200H | | UPB250H 4PT4S0000C 00200H | | | |
| UPB250L 130kA | 225A | UPB250H 3PT4S0000C 00225H | | UPB250H 4PT4S0000C 00225H | | | |
| | 250A | UPB250H 3PT4S0000C 00250H | | UPB250H 4PT4S0000C 00250H | | | |
| | 125A | UPB250L 3PT4S0000C 00125H | | UPB250L 4PT4S0000C 00125H | | | |
| | 150A | UPB250L 3PT4S0000C 00150H | | UPB250L 4PT4S0000C 00150H | | | |
| | 160A | UPB250L 3PT4S0000C 00160H | | UPB250L 4PT4S0000C 00160H | | | |
| | 175A | UPB250L 3PT4S0000C 00175H | | UPB250L 4PT4S0000C 00175H | | | |
| UPB250X 150kA | 200A | UPB250L 3PT4S0000C 00200H | | UPB250L 4PT4S0000C 00200H | | | |
| | 225A | UPB250L 3PT4S0000C 00225H | | UPB250L 4PT4S0000C 00225H | | | |
| | 250A | UPB250L 3PT4S0000C 00250H | | UPB250L 4PT4S0000C 00250H | | | |
| | 125A | UPB250X 3PT4S0000C 00125H | | UPB250X 4PT4S0000C 00125H | | | |
| | 150A | UPB250X 3PT4S0000C 00150H | | UPB250X 4PT4S0000C 00150H | | | |
| | 160A | UPB250X 3PT4S0000C 00160H | | UPB250X 4PT4S0000C 00160H | | | |

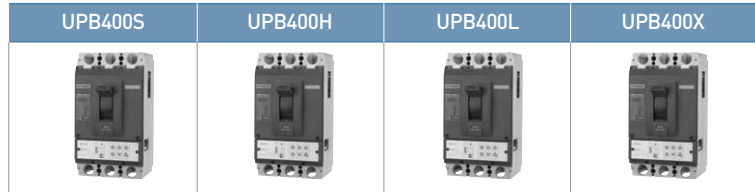
50°C

| Model / Breaking capacity at AC380 / 415V | Rated current | 3 pole | | 4 pole | | Specification | Category |
|---|------------------|---------------------------|--------------|---------------------------|--------------|---|-------------|
| | | Code | Unit (EA) | Code | Unit (EA) | | |
| UPB250S 85kA | 125A | UPB250S 3PT5S0000C 00125H | | UPB250S 4PT5S0000C 00125H | | 50°C, Screw type terminal connection, No option, 50/60Hz | MCCB /M2 |
| | 150A | UPB250S 3PT5S0000C 00150H | | UPB250S 4PT5S0000C 00150H | | | |
| | 160A | UPB250S 3PT5S0000C 00160H | | UPB250S 4PT5S0000C 00160H | | | |
| | 175A | UPB250S 3PT5S0000C 00175H | | UPB250S 4PT5S0000C 00175H | | | |
| | 200A | UPB250S 3PT5S0000C 00200H | | UPB250S 4PT5S0000C 00200H | | | |
| | 225A | UPB250S 3PT5S0000C 00225H | | UPB250S 4PT5S0000C 00225H | | | |
| UPB250H 100kA | 250A | UPB250S 3PT5S0000C 00250H | | UPB250S 4PT5S0000C 00250H | | | |
| | 125A | UPB250H 3PT5S0000C 00125H | | UPB250H 4PT5S0000C 00125H | | | |
| | 150A | UPB250H 3PT5S0000C 00150H | | UPB250H 4PT5S0000C 00150H | | | |
| | 160A | UPB250H 3PT5S0000C 00160H | | UPB250H 4PT5S0000C 00160H | | | |
| | 175A | UPB250H 3PT5S0000C 00175H | | UPB250H 4PT5S0000C 00175H | | | |
| | 200A | UPB250H 3PT5S0000C 00200H | | UPB250H 4PT5S0000C 00200H | | | |
| UPB250L 130kA | 225A | UPB250H 3PT5S0000C 00225H | | UPB250H 4PT5S0000C 00225H | | | |
| | 250A | UPB250H 3PT5S0000C 00250H | | UPB250H 4PT5S0000C 00250H | | | |
| | 125A | UPB250L 3PT5S0000C 00125H | | UPB250L 4PT5S0000C 00125H | | | |
| | 150A | UPB250L 3PT5S0000C 00150H | | UPB250L 4PT5S0000C 00150H | | | |
| | 160A | UPB250L 3PT5S0000C 00160H | | UPB250L 4PT5S0000C 00160H | | | |
| | 175A | UPB250L 3PT5S0000C 00175H | | UPB250L 4PT5S0000C 00175H | | | |
| UPB250X 150kA | 200A | UPB250L 3PT5S0000C 00200H | | UPB250L 4PT5S0000C 00200H | | | |
| | 225A | UPB250L 3PT5S0000C 00225H | | UPB250L 4PT5S0000C 00225H | | | |
| | 250A | UPB250L 3PT5S0000C 00250H | | UPB250L 4PT5S0000C 00250H | | | |
| | 125A | UPB250X 3PT5S0000C 00125H | | UPB250X 4PT5S0000C 00125H | | | |
| | 150A | UPB250X 3PT5S0000C 00150H | | UPB250X 4PT5S0000C 00150H | | | |
| | 160A | UPB250X 3PT5S0000C 00160H | | UPB250X 4PT5S0000C 00160H | | | |

Specifications and Standard Order Codes

| UPB type / 400AF |

UPB400S 85kA
 UPB400H 100kA
 UPB400L 130kA
 UPB400X 150kA



| | | | | | | |
|---|---|--------------------------------|-----------------------|---|------------|------------|
| Number of poles (P) | | 3, 4 | | | | |
| Degree of protection (with terminal cover) | | IP20 | | | | |
| Utilization category | | A | | | | |
| Suitability of isolation | | O | | | | |
| Protection | | overload, inst., short-circuit | | | | |
| Rating | Rated current (A) | 200-400 | | | | |
| | Rated insulation voltage [Ui] (V) | AC750 | | | | |
| | Rated operational voltage [Ue] (V) | AC690 | | | | |
| | Rated impulse withstand voltage [Uimp] (kV) | 8 | | | | |
| Rated short-circuit breaking capacity | Ultimate [Icu] (kA r.m.s.) | AC660/690V, 50-60Hz | 10 | 10 | 20 | 25 |
| | | AC480/500V, 50-60Hz | 50 | 65 | 85 | 85 |
| | | AC440/460V, 50-60Hz | 65 | 85 | 100 | 150 |
| | | AC380/415V, 50-60Hz | 85 | 100 | 130 | 150 |
| | IEC 60947-2 K 60947-2 | Service [Ics] % of [Icu] | 100 | 130 | 150 | 200 |
| Trip mechanism & Protection characteristics | Electronic | Long time delay | LTD | (0.5-1) ¹⁾ × In (15 setting) | | |
| | | Short time delay | STD | (2-4-6-8-10) × Ir | | |
| | | Instantaneous | INST | (3-6-8-10-11) × In | | |
| | | Ground fault trip | GFT | (0.2-0.3-0.4) × In | | |
| | | Pre-trip alarm | PTA | 0.9 × In | | |
| | | I ² T lamp | | O | | |
| | | Pick-up LED | | O | | |
| Mounting | Direct mounting by screw | | O | | | |
| | Plug-in | for | Both line & load side | O ²⁾ | | |
| | | Switchboard | Line side only | O ²⁾ | | |
| Terminal connection | Screw | | O | | | |
| | Bus bar | | O | | | |
| Durability (times) | Mechanical operation | | 20,000 | | | |
| | Electrical operation | | 6,000 | | | |
| Dimensions (mm) | | 3/4P | a | Width | 140/185 | |
| | | | b | Height | 255 | |
| | | | c | Depth | 117 | |
| | | | d | | 159.5 | |
| Weight (kg, breaker only) | | 3/4P | 6.0/7.8 | | | |

* - The breaking capacity highlighted with blue and thick type is standard nominal value for each model in this catalogue.

1) (0.5-1): (0.63-0.8-1) × (0.8-0.85-0.9-0.95-1)

2) Available for 3P breaker

| Accessories |

- Signal

| | | | | | | |
|----------------------------------|----------------------|-------------|-------------|-------------|-------------|-------------|
| Auxiliary switch | 1ab, Left-hand-side | | | | | |
| | AUX 46UP L1 | | | | | |
| Trip alarm switch | 1ab, Right-hand-side | | | | | |
| | ALT 46UP R1 | | | | | |
| Shunt trip ¹⁾ | DC24V | DC100-110V | AC100-120V | AC200-230V | AC380-415V | AC440-480V |
| | SHT 46UP A | SHT 46UP C | SHT 46UP F | SHT 46UP H | SHT 46UP B | SHT 46UP D |
| Under voltage trip ²⁾ | DC24V | DC100-110V | AC100-120V | AC200-230V | AC380-415V | AC440-480V |
| | *UVT 46UP J | *UVT 46UP L | *UVT 46UP N | *UVT 46UP P | *UVT 46UP Q | *UVT 46UP R |

* 1) The permissible operating voltage: 85-110% of rated voltage for AC, 75-125% for DC

2) The permissible operating voltage: 85-110% of rated voltage(AC), 85-125% of rated voltage(DC)

The tripping voltage: 20-70% of rated voltage(AC/DC)

*Reset is possible without power.

• Operating

| | | | | | |
|--------------------------------|------------------------|--------|--------------|--------------|--------------|
| Operating handle ¹⁾ | Power supply direction | | Upper | Right | Left |
| | Surface | S type | TFG 46UPS U2 | TFG 46UPS R2 | TFG 46UPS L2 |
| Motor operator ²⁾ | Extended S type | | TFH 46UPS | | |
| | | | DC24V | AC/DC110V | AC/DC220V |
| Mechanical interlock | | | MIF _____ | | |
| Extension handle ³⁾ | | | THA 46UP | | |

※ 1) For detail type information, please refer to page no. 191-199.

2) Motor operator is not recommended for marine application.

3) Supplied as standard component

• Mounting

| | | | | |
|---------|------------------|-------------|---------------------------|--------------------|
| Plug-in | Structure | | For both line & load side | For line side only |
| | Mounting base | | TDM 46NEP | TDM 46NEF |
| | Connection block | 6C contact | CBM 26NE 6 | — |
| | | 12C contact | CBM 26NE 12 | — |

※ Available for 3P breaker

Connection blocks are required for internal accessory installation in both line & load side plug-in type 3P breaker.

1) 2EA are required for both line & load side plug-in type 3P breaker.

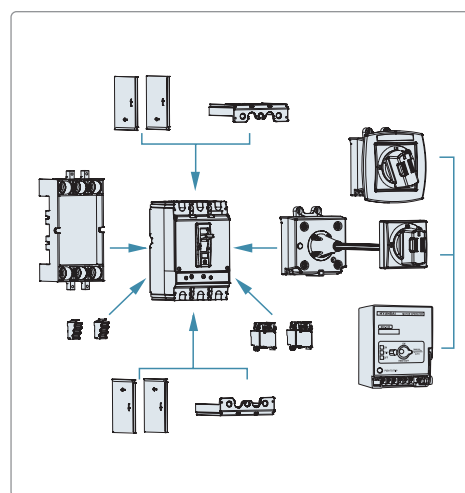
• Terminal

| | | |
|---------------------------------|------------------|------------|
| Terminal bus bar | 3 pole (6EA/SET) | TBB 40NE 3 |
| | 4 pole (8EA/SET) | TBB 40NE 4 |
| Cage terminal block | 3EA/SET | CTB _____ |
| | 6EA/SET | CTB _____ |
| Terminal cover ¹⁾ | 3 pole | TCF 46UP 3 |
| | 4 pole | TCF 46UP 4 |
| Interpole barrier ²⁾ | 4EA/SET | TQQ 46NE |

※ 1) For both line and load side of MCCB, 2EA shall be ordered.

2) Supplied as standard component

Required quantity for both line and load side of MCCB: 3 pole 4EA, 4 pole 6EA



Standard order code and unit

• Electronic - LTD, STD, INST trip

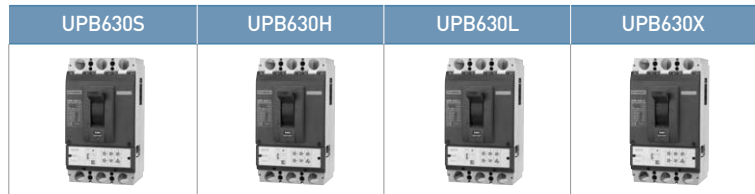
| Model / Breaking capacity at AC380 / 415V | Rated current | 3 pole | | 4 pole | | Specification | Category |
|---|---------------|--------------------------|-----------|--------------------------|-----------|---|----------|
| | | Code | Unit (EA) | Code | Unit (EA) | | |
| UPB400S 85kA | 400A | UPB400S 3PESS0000X 00400 | | UPB400S 4PESS0000X 00400 | | Screw type terminal connection, No option, 50Hz | MCCB/M3 |
| UPB400H 100kA | 400A | UPB400H 3PESS0000X 00400 | | UPB400H 4PESS0000X 00400 | | | |
| UPB400L 130kA | 400A | UPB400L 3PESS0000X 00400 | | UPB400L 4PESS0000X 00400 | | | |
| UPB400X 150kA | 400A | UPB400X 3PESS0000X 00400 | | UPB400X 4PESS0000X 00400 | | | |
| UPB400S 85kA | 400A | UPB400S 3PESS0000Y 00400 | | UPB400S 4PESS0000Y 00400 | | Screw type terminal connection, No option, 60Hz | MCCB/M3 |
| UPB400H 100kA | 400A | UPB400H 3PESS0000Y 00400 | | UPB400H 4PESS0000Y 00400 | | | |
| UPB400L 130kA | 400A | UPB400L 3PESS0000Y 00400 | | UPB400L 4PESS0000Y 00400 | | | |
| UPB400X 150kA | 400A | UPB400X 3PESS0000Y 00400 | | UPB400X 4PESS0000Y 00400 | | | |

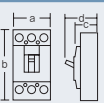
• Electronic - LTD, STD, INST, GFT trip & PTA

| Model / Breaking capacity at AC380 / 415V | Rated current | 3 pole | | 4 pole | | Specification | Category |
|---|---------------|--------------------------|-----------|--------------------------|-----------|---|----------|
| | | Code | Unit (EA) | Code | Unit (EA) | | |
| UPB400S 85kA | 400A | UPB400S 3PGSS0000X 00400 | | UPB400S 4PGSS0000X 00400 | | Screw type terminal connection, No option, 50Hz | MCCB/M3 |
| UPB400H 100kA | 400A | UPB400H 3PGSS0000X 00400 | | UPB400H 4PGSS0000X 00400 | | | |
| UPB400L 130kA | 400A | UPB400L 3PGSS0000X 00400 | | UPB400L 4PGSS0000X 00400 | | | |
| UPB400X 150kA | 400A | UPB400X 3PGSS0000X 00400 | | UPB400X 4PGSS0000X 00400 | | | |
| UPB400S 85kA | 400A | UPB400S 3PGSS0000Y 00400 | | UPB400S 4PGSS0000Y 00400 | | Screw type terminal connection, No option, 60Hz | MCCB/M3 |
| UPB400H 100kA | 400A | UPB400H 3PGSS0000Y 00400 | | UPB400H 4PGSS0000Y 00400 | | | |
| UPB400L 130kA | 400A | UPB400L 3PGSS0000Y 00400 | | UPB400L 4PGSS0000Y 00400 | | | |
| UPB400X 150kA | 400A | UPB400X 3PGSS0000Y 00400 | | UPB400X 4PGSS0000Y 00400 | | | |

Specifications and Standard Order Codes

| UPB type / 630AF | UPB630S 85kA / UPB630H 100kA / UPB630L 130kA / UPB630X 150kA



| | | UPB630S | UPB630H | UPB630L | UPB630X | |
|---|---|--------------------------------|-----------------------|---|------------|------------|
| Number of poles (P) | | 3, 4 | | | | |
| Degree of protection (with terminal cover) | | IP20 | | | | |
| Utilization category | | A | | | | |
| Suitability of isolation | | O | | | | |
| Protection | | overload, inst., short-circuit | | | | |
| Rating | Rated current (A) | 320-630 | | | | |
| | Rated insulation voltage [Ui] (V) | AC750 | | | | |
| | Rated operational voltage [Ue] (V) | AC690 | | | | |
| | Rated impulse withstand voltage [Uimp] (kV) | 8 | | | | |
| Rated short-circuit breaking capacity | Ultimate [Icu] (kA r.m.s.) | AC660/690V, 50-60Hz | 10 | 10 | 20 | 25 |
| | | AC480/500V, 50-60Hz | 50 | 65 | 85 | 85 |
| | | AC440/460V, 50-60Hz | 65 | 85 | 100 | 150 |
| | | AC380/415V, 50-60Hz | 85 | 100 | 130 | 150 |
| | IEC 60947-2 K 60947-2 | Service [Ics] | 100 | 130 | 150 | 200 |
| Trip mechanism & Protection characteristics | Electronic | Long time delay | LTD | (0.5-1) ¹⁾ × In (15 setting) | | |
| | | Short time delay | STD | (2-4-6-8-10) × Ir | | |
| | | Instantaneous | INST | (3-6-8-10-11) × In | | |
| | | Ground fault trip | GFT | (0.2-0.3-0.4) × In | | |
| | | Pre-trip alarm | PTA | 0.9 × In | | |
| | | I ² T lamp | | O | | |
| | | Pick-up LED | | O | | |
| Mounting | Direct mounting by screw | | O | | | |
| | Plug-in | for | Both line & load side | O ²⁾ | | |
| | | Switchboard | Line side only | O ²⁾ | | |
| Terminal connection | | Screw | O | | | |
| | | Bus bar | O | | | |
| Durability (times) | Mechanical operation | | 20,000 | | | |
| | Electrical operation | | 6,000 | | | |
| Dimensions (mm) |  | 3/4P | a | Width | 140/185 | |
| | | | b | Height | 255 | |
| | | | c | Depth | 117 | |
| | | | d | | 159.5 | |
| Weight (kg, breaker only) | | 3/4P | 6.0/7.8 | | | |

* - The breaking capacity highlighted with blue and thick type is standard nominal value for each model in this catalogue.

1) (0.5-1): (0.63-0.8-1) × (0.8-0.85-0.9-0.95-1)

2) Available for 3P breaker

| Accessories |

- Signal

| | | | | | | |
|----------------------------------|----------------------|-------------|-------------|-------------|-------------|-------------|
| Auxiliary switch | 1ab, Left-hand-side | | | | | |
| | AUX 46UP L1 | | | | | |
| Trip alarm switch | 1ab, Right-hand-side | | | | | |
| | ALT 46UP R1 | | | | | |
| Shunt trip ¹⁾ | DC24V | DC100-110V | AC100-120V | AC200-230V | AC380-415V | AC440-480V |
| | SHT 46UP A | SHT 46UP C | SHT 46UP F | SHT 46UP H | SHT 46UP B | SHT 46UP D |
| Under voltage trip ²⁾ | DC24V | DC100-110V | AC100-120V | AC200-230V | AC380-415V | AC440-480V |
| | *UVT 46UP J | *UVT 46UP L | *UVT 46UP N | *UVT 46UP P | *UVT 46UP Q | *UVT 46UP R |

* 1) The permissible operating voltage: 85-110% of rated voltage for AC, 75-125% for DC

2) The permissible operating voltage: 85-110% of rated voltage(AC), 85-125% of rated voltage(DC)

The tripping voltage: 20-70% of rated voltage(AC/DC)

*Reset is possible without power.

• Operating

| | | | | | |
|--------------------------------|------------------------|--------|---------------|-----------------|-----------------|
| Operating handle ¹⁾ | Power supply direction | | Upper | Right | Left |
| | Surface | S type | TFG 46UPS U2 | TFG 46UPS R2 | TFG 46UPS L2 |
| | Extended | S type | | TFH 46UPS | |
| Motor operator ²⁾ | | | DC24V | AC/DC110V | AC/DC220V |
| | | | MOT 46UP DC24 | MOT 46UP ADC110 | MOT 46UP ADC220 |
| Mechanical interlock | | | MIF _____ | | |
| Extension handle ³⁾ | | | THA 46UP | | |

- ※ 1) For detail type information, please refer to page no. 191-199.
- 2) Motor operator is not recommended for marine application.
- 3) Supplied as standard component

• Mounting

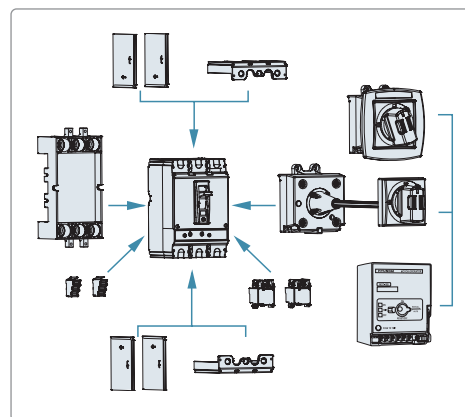
| | | | | |
|---------|------------------|---------------------------|--------------------|---|
| Plug-in | Structure | For both line & load side | For line side only | |
| | Mounting base | TDM 46NEP | TDM 46NEF | |
| | Connection block | 6C contact | CBM 26NE 6 | — |
| | | 12C contact | CBM 26NE 12 | — |

- ※ Available for 3P breaker
- Connection blocks are required for internal accessory installation in both line & load side plug-in type 3 pole MCCB.
- 1) 2EA are required for both line & load side plug-in type 3 pole MCCB.

• Terminal

| | | |
|---------------------------------|------------------|------------|
| Terminal bus bar | 3 pole (6EA/SET) | TBB 60NE 3 |
| | 4 pole (8EA/SET) | TBB 60NE 4 |
| Cage terminal block | 3EA/SET | CTB _____ |
| | 6EA/SET | CTB _____ |
| Terminal cover ¹⁾ | 3 pole | TCF 46UP 3 |
| | 4 pole | TCF 46UP 4 |
| Interpole barrier ²⁾ | 4EA/SET | TQQ 46NE |

- ※ 1) For both line and load side of MCCB, 2EA shall be ordered.
- 2) Supplied as standard component
- Required quantity for both line and load side of MCCB: 3 pole 4EA, 4 pole 6EA



I Standard order code and unit

• Electronic - LTD, STD, INST trip

| Model / Breaking capacity at AC380 / 415V | Rated current | 3 pole | | 4 pole | | Specification | Category |
|---|---------------|--------------------------|-----------|--------------------------|-----------|---|----------|
| | | Code | Unit (EA) | Code | Unit (EA) | | |
| UPB630S 85kA | 630A | UPB630S 3PESS0000X 00630 | | UPB630S 4PESS0000X 00630 | | Screw type terminal connection, No option, 50Hz | MCCB/M3 |
| UPB630H 100kA | 630A | UPB630H 3PESS0000X 00630 | | UPB630H 4PESS0000X 00630 | | | |
| UPB630L 130kA | 630A | UPB630L 3PESS0000X 00630 | | UPB630L 4PESS0000X 00630 | | | |
| UPB630X 150kA | 630A | UPB630X 3PESS0000X 00630 | | UPB630X 4PESS0000X 00630 | | | |
| UPB630S 85kA | 630A | UPB630S 3PESS0000Y 00630 | | UPB630S 4PESS0000Y 00630 | | Screw type terminal connection, No option, 60Hz | |
| UPB630H 100kA | 630A | UPB630H 3PESS0000Y 00630 | | UPB630H 4PESS0000Y 00630 | | | |
| UPB630L 130kA | 630A | UPB630L 3PESS0000Y 00630 | | UPB630L 4PESS0000Y 00630 | | | |
| UPB630X 150kA | 630A | UPB630X 3PESS0000Y 00630 | | UPB630X 4PESS0000Y 00630 | | | |

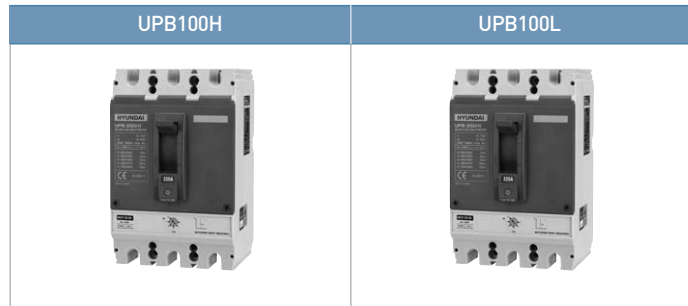
• Electronic - LTD, STD, INST, GFT trip & PTA

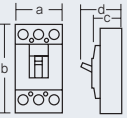
| Model / Breaking capacity at AC380 / 415V | Rated current | 3 pole | | 4 pole | | Specification | Category |
|---|---------------|--------------------------|-----------|--------------------------|-----------|---|----------|
| | | Code | Unit (EA) | Code | Unit (EA) | | |
| UPB630S 85kA | 630A | UPB630S 3PGSS0000X 00630 | | UPB630S 4PGSS0000X 00630 | | Screw type terminal connection, No option, 50Hz | MCCB/M3 |
| UPB630H 100kA | 630A | UPB630H 3PGSS0000X 00630 | | UPB630H 4PGSS0000X 00630 | | | |
| UPB630L 130kA | 630A | UPB630L 3PGSS0000X 00630 | | UPB630L 4PGSS0000X 00630 | | | |
| UPB630X 150kA | 630A | UPB630X 3PGSS0000X 00630 | | UPB630X 4PGSS0000X 00630 | | | |
| UPB630S 85kA | 630A | UPB630S 3PGSS0000Y 00630 | | UPB630S 4PGSS0000Y 00630 | | Screw type terminal connection, No option, 60Hz | |
| UPB630H 100kA | 630A | UPB630H 3PGSS0000Y 00630 | | UPB630H 4PGSS0000Y 00630 | | | |
| UPB630L 130kA | 630A | UPB630L 3PGSS0000Y 00630 | | UPB630L 4PGSS0000Y 00630 | | | |
| UPB630X 150kA | 630A | UPB630X 3PGSS0000Y 00630 | | UPB630X 4PGSS0000Y 00630 | | | |

Specifications and Standard Order Codes

| Motor protection / UPB type 125AF |

UPB100H 100kA
UPB100L 130kA



| | | | | |
|---|---|--|-----------------------|------------|
| Number of poles (P) | | 3 | | |
| Degree of protection (with terminal cover) | | IP20 | | |
| Utilization category | | A | | |
| Suitability of isolation | | O | | |
| Protection | | instantaneous, short-circuit | | |
| Rating | Rated current (A) | 2.5, 3.2, 6.3, 12.5, 20, 32, 50, 63, 80, 100 | | |
| | Rated insulation voltage [Ui] (V) | AC750 | | |
| | Rated operational voltage [Ue] (V) | AC690 | | |
| | Rated impulse withstand voltage [Uimp] (kV) | DC500 | | |
| Rated short-circuit breaking capacity IEC 60947-2 K 60947-2 | Ultimate [Icu] (kA r.m.s.) | AC660/690V, 50-60Hz | 10 | 20 |
| | | AC480/500V, 50-60Hz | 65 | 85 |
| | | AC440/460V, 50-60Hz | 85 | 100 |
| | | AC380/415V, 50-60Hz | 100 | 130 |
| | | AC220/240V, 50-60Hz | 130 | 150 |
| | | DC250V | 65 | 85 |
| | DC125V | 100 | 100 | |
| Service [Ics] | % of [Icu] | 100 | | |
| Trip mechanism & Protection characteristics | Thermal magnetic | Adjustable instantaneous | (6-13) × In | |
| Mounting | Direct mounting by screw | | O | |
| | Plug-in | for | Both line & load side | O |
| | | Switchboard | Line side only | O |
| Terminal connection | Screw | | O | |
| | Bus bar | | O | |
| Durability (times) | Mechanical operation | | 25,000 | |
| | Electrical operation | | 10,000 | |
| Dimensions (mm) |  | 3P | a Width | 105 |
| | | | b Height | 165 |
| | | | c Depth | 86.5 |
| | | | d | 112 |
| Weight (kg, breaker only) | | 3P | 1.8 | |

※ - The breaking capacity highlighted with blue and thick type is standard nominal value for each model in this catalogue.

Accessories

Signal

| | | | | | | |
|----------------------------------|----------------------|-------------|-------------|-------------|-------------|-------------|
| Auxiliary switch | 1ab, Right-hand-side | | | | | |
| | AUX 12UP R1 | | | | | |
| Trip alarm switch | 1ab, Left-hand-side | | | | | |
| | ALT 12UP L1 | | | | | |
| Shunt trip ¹⁾ | DC24V | DC100-110V | AC100-120V | AC200-230V | AC380-415V | AC440-480V |
| | SHT 12UP A | SHT 12UP C | SHT 12UP F | SHT 12UP H | SHT 12UP B | SHT 12UP D |
| Under voltage trip ²⁾ | DC24V | DC100-110V | AC100-120V | AC200-230V | AC380-415V | AC440-480V |
| | *UVT 12UP J | *UVT 12UP L | *UVT 12UP N | *UVT 12UP P | *UVT 12UP Q | *UVT 12UP R |

- ※ 1) The permissible operating voltage: 85-110% of rated voltage for AC, 75-125% for DC
- 2) The permissible operating voltage: 85-110% of rated voltage(AC), 85-125% of rated voltage(DC)
The tripping voltage: 20-70% of rated voltage(AC/DC)
*Reset is possible without power.

Operating

| | | | | | |
|--------------------------------|------------------------|---------------|-----------------|-----------------|--------------|
| Operating handle ¹⁾ | Power supply direction | Surface | Upper | Right | Left |
| | | S type | TFG 12UPS U4 | TFG 12UPS R4 | TFG 12UPS L4 |
| | L type | TFG 12UPL U4 | — | — | |
| | Extended | S type | TFH 12UPS | TFH 12UPL | — |
| | | L type | — | — | — |
| Motor operator ²⁾ | | DC24V | AC/DC110V | AC/DC220V | |
| | | MOT 12UP DC24 | MOT 12UP ADC110 | MOT 12UP ADC220 | |
| Mechanical interlock | | MIF | | | |

- ※ 1) For detail type information, please refer to page no. 191-199.
- 2) Motor operator is not recommended for marine application.

Mounting

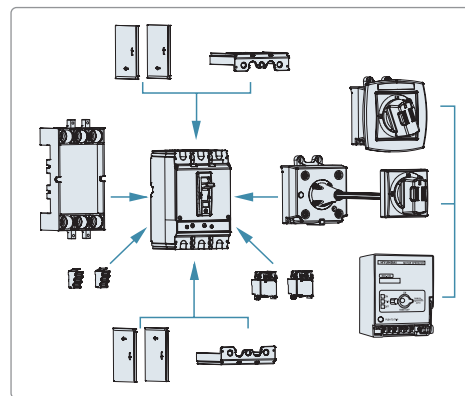
| | | | |
|---------|------------------|---------------------------|--------------------|
| Plug-in | Structure | For both line & load side | For line side only |
| | Mounting base | TDM 12NEP | TDM 12NEF |
| | Connection block | 6C contact | — |
| | | 12C contact | — |
| | | CBM 26NE 6 | — |
| | | CBM 26NE 12 | — |

- ※ Available for 3P breaker
- Connection blocks are required for internal accessory installation in both line & load side plug-in type 3P breaker.

Terminal

| | | |
|---------------------|---------|------------|
| Cage terminal block | 3EA/SET | CTB |
| | 6EA/SET | CTB |
| Terminal cover | 3 pole | TCF 12UP 3 |
| | 4 pole | TCF 12UP 4 |
| Interpole barrier | 4EA/SET | TQQ 12NE |

- ※ 1) For both line and load side of MCCB, 2EA shall be ordered.
- 2) Supplied as standard component
Required quantity for both line and load side of MCCB: 3 pole 4EA, 4 pole 6EA



Standard order code and unit

Adjustable instantaneous only / recommended for motor protection

| Model / Breaking capacity at AC380 / 415V | Rated current | 3 pole | | Model / Breaking capacity at AC380 / 415V | Rated current | 3 pole | | Specification | Category |
|---|---------------|--------------------------|-----------|---|---------------|--------------------------|-----------|--|----------|
| | | Code | Unit (EA) | | | Code | Unit (EA) | | |
| UPB100H 100kA | 2.5A | UPB100H 3PMPS0000C 002.5 | | UPB100L 150kA | 2.5A | UPB100L 3PMPS0000C 002.5 | | Screw type terminal connection, No option, 50/60Hz | MCCB /M4 |
| | 3.2A | UPB100H 3PMPS0000C 003.2 | | | 3.2A | UPB100L 3PMPS0000C 003.2 | | | |
| | 6.3A | UPB100H 3PMPS0000C 006.3 | | | 6.3A | UPB100L 3PMPS0000C 006.3 | | | |
| | 12.5A | UPB100H 3PMPS0000C 012.5 | | | 12.5A | UPB100L 3PMPS0000C 012.5 | | | |
| | 20A | UPB100H 3PMPS0000C 00020 | | | 20A | UPB100L 3PMPS0000C 00020 | | | |
| | 32A | UPB100H 3PMPS0000C 00032 | | | 32A | UPB100L 3PMPS0000C 00032 | | | |
| | 50A | UPB100H 3PMPS0000C 00050 | | | 50A | UPB100L 3PMPS0000C 00050 | | | |
| | 63A | UPB100H 3PMPS0000C 00063 | | | 63A | UPB100L 3PMPS0000C 00063 | | | |
| | 80A | UPB100H 3PMPS0000C 00080 | | | 80A | UPB100L 3PMPS0000C 00080 | | | |
| | 100A | UPB100H 3PMPS0000C 00100 | | | 100A | UPB100L 3PMPS0000C 00100 | | | |

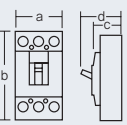
Specifications and Standard Order Codes

| Motor protection / UPB type 250AF |

UPB250H 100kA

UPB250L 130kA



| | | | | | |
|---|---|------------------------------|-----------------------|------------|------|
| Number of poles (P) | | 3 | | | |
| Degree of protection (with terminal cover) | | IP20 | | | |
| Utilization category | | A | | | |
| Suitability of isolation | | O | | | |
| Protection | | instantaneous, short-circuit | | | |
| Rating | Rated current (A) | 125, 150, 175, 200, 225 | | | |
| | Rated insulation voltage [Ui] (V) | AC750 | | | |
| | Rated operational voltage [Ue] (V) | AC690 | | | |
| | Rated impulse withstand voltage [Uimp] (kV) | DC500 | | | |
| Rated short-circuit breaking capacity IEC 60947-2 K 60947-2 | Ultimate [Icu] (kA r.m.s.) | AC660/690V, 50-60Hz | 10 | 20 | |
| | | AC480/500V, 50-60Hz | 65 | 85 | |
| | | AC440/460V, 50-60Hz | 85 | 100 | |
| | | AC380/415V, 50-60Hz | 100 | 130 | |
| | | AC220/240V, 50-60Hz | 130 | 150 | |
| | | DC250V | 65 | 85 | |
| | DC125V | 100 | 100 | | |
| Service [Ics] | % of [Icu] | 100 | | | |
| Trip mechanism & Protection characteristics | Thermal magnetic | Adjustable instantaneous | (6-13) × In | | |
| | Mounting | Direct mounting by screw | | O | |
| Plug-in | | for | Both line & load side | O | |
| | | Switchboard | Line side only | O | |
| Terminal connection | Screw | | O | | |
| | Bus bar | | O | | |
| Durability (times) | Mechanical operation | | 25,000 | | |
| | Electrical operation | | 10,000 | | |
| Dimensions (mm) |  | 3P | a | Width | 105 |
| | | | b | Height | 165 |
| | | | c | Depth | 86.5 |
| | | | d | | 112 |
| Weight (kg, breaker only) | | 3P | 2.0 | | |

※ - The breaking capacity highlighted with blue and thick type is standard nominal value for each model in this catalogue.

Accessories |

• Signal

| | | | | | | |
|----------------------------------|----------------------|-------------|-------------|-------------|-------------|-------------|
| Auxiliary switch | 1ab, Right-hand-side | | | | | |
| | AUX 12UP R1 | | | | | |
| Trip alarm switch | 1ab, Left-hand-side | | | | | |
| | ALT 12UP L1 | | | | | |
| Shunt trip ¹⁾ | DC24V | DC100-110V | AC100-120V | AC200-230V | AC380-415V | AC440-480V |
| | SHT 12UP A | SHT 12UP C | SHT 12UP F | SHT 12UP H | SHT 12UP B | SHT 12UP D |
| Under voltage trip ²⁾ | DC24V | DC100-110V | AC100-120V | AC200-230V | AC380-415V | AC440-480V |
| | *UVT 12UP J | *UVT 12UP L | *UVT 12UP N | *UVT 12UP P | *UVT 12UP Q | *UVT 12UP R |

- ※ 1) The permissible operating voltage: 85-110% of rated voltage for AC, 75-125% for DC
- 2) The permissible operating voltage: 85-110% of rated voltage(AC), 85-125% of rated voltage(DC)
The tripping voltage: 20-70% of rated voltage(AC/DC)
*Reset is possible without power.

• Operating

| | | | | | |
|--------------------------------|------------------------|---------------|-----------------|-----------------|--------------|
| Operating handle ¹⁾ | Power supply direction | | Upper | Right | Left |
| | Surface | S type | TFG 12UPS U4 | TFG 12UPS R4 | TFG 12UPS L4 |
| | | L type | TFG 12UPL U4 | — | TFG 12UPL L4 |
| | Extended | S type | — | TFH 12UPS | — |
| L type | | — | TFH 12UPL | — | |
| Motor operator ²⁾ | | DC24V | AC/DC110V | AC/DC220V | |
| | | MOT 12UP DC24 | MOT 12UP ADC110 | MOT 12UP ADC220 | |
| Mechanical interlock | | MIF_____ | | | |

- ※ 1) For detail type information, please refer to page no. 191-199.
- 2) Motor operator is not recommended for marine application.

• Mounting

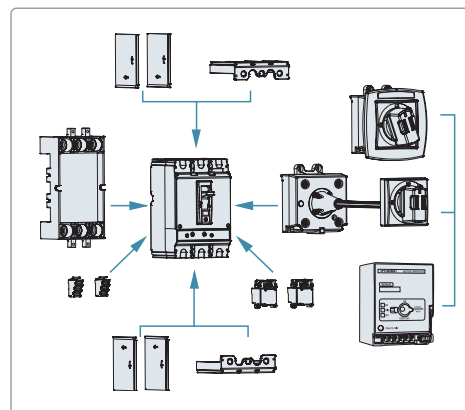
| | | | |
|---------|------------------|---------------------------|--------------------|
| Plug-in | Structure | For both line & load side | For line side only |
| | Mounting base | TDM 12NEP | TDM 12NEF |
| | Connection block | 6C contact CBM 26NE 6 | — CBM 26NE 12 |

- ※ Available for 3P breaker
Connection blocks are required for internal accessory installation in both line & load side plug-in type 3P breaker.

• Terminal

| | | |
|---------------------------------|------------------|------------|
| Terminal bus bar | 3 pole (6EA/SET) | TBB 12NE 3 |
| | 4 pole (8EA/SET) | TBB 12NE 4 |
| Cage terminal block | 3EA/SET | CTB_____ |
| | 6EA/SET | CTB_____ |
| Terminal cover ¹⁾ | 3 pole | TCF 12UP 3 |
| | 4 pole | TCF 12UP 4 |
| Interpole barrier ²⁾ | 4EA/SET | TQQ 12NE |

- ※ 1) For both line and load side of MCCB, 2EA shall be ordered.
- 2) Supplied as standard component
Required quantity for both line and load side of MCCB: 3 pole 4EA, 4 pole 6EA



Standard order code and unit |

• Adjustable instantaneous only / recommended for motor protection

| Model / Breaking capacity at AC380 / 415V | Rated current | 3 pole | | Model / Breaking capacity at AC380 / 415V | Rated current | 3 pole | | Specification | Category |
|---|---------------|--------------------------|-----------|---|---------------|--------------------------|-----------|--|----------|
| | | Code | Unit (EA) | | | Code | Unit (EA) | | |
| UPB250H 100kA | 125A | UPB250H 3PMP50000C 00125 | | UPB250L 150kA | 125A | UPB250L 3PMP50000C 00125 | | Screw type terminal connection, No option, 50/60Hz | MCCB /M4 |
| | 150A | UPB250H 3PMP50000C 00150 | | | 150A | UPB250L 3PMP50000C 00150 | | | |
| | 175A | UPB250H 3PMP50000C 00175 | | | 175A | UPB250L 3PMP50000C 00175 | | | |
| | 200A | UPB250H 3PMP50000C 00200 | | | 200A | UPB250L 3PMP50000C 00200 | | | |
| | 225A | UPB250H 3PMP50000C 00225 | | | 225A | UPB250L 3PMP50000C 00225 | | | |

Specifications and Standard Order Codes

| Q-class (for nuclear power plant application) / HBL type 100AF |

HBL103U 85kA
 HBL103UQ 85kA
 HBL103UM 85kA
 HBL103UMQ 85kA



| | | | | | | |
|--|---|---------------------------------|--------|--|-----------|-----|
| Number of poles (P) | | 3 | | | | |
| Degree of protection (with terminal cover) | | IP20 | | | | |
| Utilization category | | A | | | | |
| Suitability of isolation | | O | | | | |
| Protection | | overload, inst., short-circuit | | instantaneous, short-circuit | | |
| Rating | Rated current (A) | 15, 20, 30, 40, 50, 60, 75, 100 | | 2.5, 3.2, 6.3, 12.5, 20, 32, 50, 63, 80, 100 | | |
| | Rated insulation voltage [Ui] (V) | AC750 | | | | |
| | Rated operational voltage [Ue] (V) | AC690 | | | | |
| | Rated impulse withstand voltage [Uimp] (kV) | DC500 | | | | |
| Rated short-circuit breaking capacity | Ultimate [Icu] (kA r.m.s.) | AC660/690V, 50-60Hz | 25 | 25 | 25 | 25 |
| | | AC480/500V, 50-60Hz | 85 | 85 | 85 | 85 |
| | | AC440/460V, 50-60Hz | 100 | 100 | 100 | 100 |
| | | AC380/415V, 50-60Hz | 150 | 150 | 150 | 150 |
| | | AC220/240V, 50-60Hz | 200 | 200 | 200 | 200 |
| | | DC250V | 100 | 100 | 100 | 100 |
| IEC 60947-2 K 60947-2 | Service [Ics] % of [Icu] | DC125V | 100 | 100 | 100 | 100 |
| | | | 100 | | | |
| Trip mechanism & Protection | Thermal magnetic | Fixed thermal, | O | | - | |
| | | Fixed instantaneous INST | 10×In | | - | |
| | | Adjustable instantaneous | - | | (6-13)×In | |
| Q-class | Non-E1 | O | - | O | - | |
| | E1 | - | O | - | O | |
| Mounting | Direct mounting by screw | | O | | | |
| | Plug-in | for Both line & load side | O | | | |
| | | Switchboard Line side only | O | | | |
| Terminal connection | Screw | | O | | | |
| Durability (times) | Mechanical operation | | 25,000 | | | |
| | Electrical operation | | 10,000 | | | |
| Dimensions (mm) | | 3P | a | Width | 105 | |
| | | | b | Height | 165 | |
| | | | c | Depth | 86.5 | |
| | | | d | | 112 | |
| Weight (kg, breaker only) | 3P | | 1.8 | | | |

* - The breaking capacity highlighted with blue and thick type is standard nominal value for each model in this catalogue.

| Accessories |

- Signal

| | | | | | | |
|----------------------------------|----------------------|-------------|-------------|-------------|-------------|-------------|
| Auxiliary switch | 1ab, Right-hand-side | | | | | |
| | AUX 12UP R1 | | | | | |
| Trip alarm switch | 1ab, Left-hand-side | | | | | |
| | ALT 12UP L1 | | | | | |
| Shunt trip ¹⁾ | DC24V | DC100-110V | AC100-120V | AC200-230V | AC380-415V | AC440-480V |
| | SHT 12UP A | SHT 12UP C | SHT 12UP F | SHT 12UP H | SHT 12UP B | SHT 12UP D |
| Under voltage trip ²⁾ | DC24V | DC100-110V | AC100-120V | AC200-230V | AC380-415V | AC440-480V |
| | *UVT 12UP J | *UVT 12UP L | *UVT 12UP N | *UVT 12UP P | *UVT 12UP Q | *UVT 12UP R |

* Signal accessories shall be installed in breaker before ex-working.

1) The permissible operating voltage: 85-110% of rated voltage for AC , 75-125% for DC

2) The permissible operating voltage: 85-110% of rated voltage(AC), 85-125% of rated voltage(DC)

The tripping voltage: 20-70% of rated voltage(AC/DC)

*Reset is possible without power.

• Operating

| | | | | |
|--------------------------------|------------------------|---------------------|-----------------|-----------------|
| Operating handle ¹⁾ | Power supply direction | | Upper | Left |
| | Surface | HBL103U, HBL103UM | TFG 20U U4 | TFG 20U L4 |
| | | HBL103UQ, HBL103UMQ | TFG 20UQ U4 | TFG 20UQ L4 |
| | Extended | HBL103U, HBL103UM | TFH 20U | |
| HBL103UQ, HBL103UMQ | | TFH 20UQ | | |
| Motor operator ²⁾ | | DC24V | AC/DC110V | AC/DC220V |
| | | MOT 12UP DC24 | MOT 12UP ADC110 | MOT 12UP ADC220 |
| Mechanical interlock | | MIF | | |

※ 1) For detail type information, please refer to page no. 191-199.
 2) Motor operator is not recommended for marine application.

• Mounting

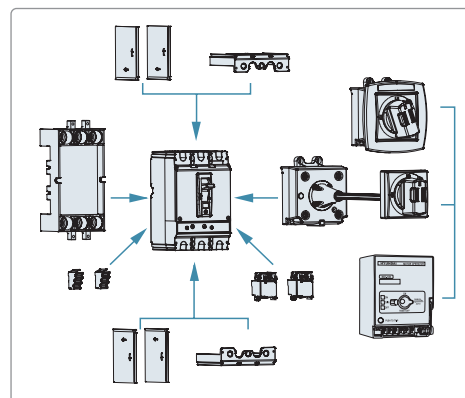
| | | | | |
|-------------|------------------|-------------|---------------------------|--------------------|
| Plug-in | Structure | | For both line & load side | For line side only |
| | Mounting base | | TDM 12NEP | TDM 12NEF |
| | Connection block | 6C contact | CBM 26NE 6 | — |
| 12C contact | | CBM 26NE 12 | — | |

※ Connection blocks are required for internal accessory installation in both line & load side plug-in type 3P breaker.

• Terminal

| | | |
|---------------------------------|------------|----------|
| Cage terminal block | 3EA/SET | CTB |
| | 6EA/SET | CTB |
| Terminal cover ¹⁾ | TCF 12UP 3 | |
| Interpole barrier ²⁾ | 4EA/SET | TQQ 12NE |

※ 1) For both line and load side of MCCB, 2EA shall be ordered.
 2) Supplied as standard component



| Standard order code and unit |

• Fixed thermal & fixed instantaneous

40/45°C

| Model / Breaking capacity at AC380 / 415V | Rated current | 3 pole, Non-E1 class | | Model / Breaking capacity at AC380 / 415V | Rated current | 3 pole, E1 class | | Specification | Category |
|---|---------------|--------------------------|-----------|---|---------------|---------------------------|-----------|--|----------|
| | | Code | Unit (EA) | | | Code | Unit (EA) | | |
| HBL103U 150kA | 15A | HBL103U 3PT4S0000C 00015 | | HBL103UQ 150kA | 15A | HBL103UQ 3PT4S0000C 00015 | | 40/45°C, Screw type terminal connection, No option, 50/60Hz | MCCB /M1 |
| | 20A | HBL103U 3PT4S0000C 00020 | | | 20A | HBL103UQ 3PT4S0000C 00020 | | | |
| | 30A | HBL103U 3PT4S0000C 00030 | | | 30A | HBL103UQ 3PT4S0000C 00030 | | | |
| | 40A | HBL103U 3PT4S0000C 00040 | | | 40A | HBL103UQ 3PT4S0000C 00040 | | | |
| | 50A | HBL103U 3PT4S0000C 00050 | | | 50A | HBL103UQ 3PT4S0000C 00050 | | | |
| | 60A | HBL103U 3PT4S0000C 00060 | | | 60A | HBL103UQ 3PT4S0000C 00060 | | | |
| | 75A | HBL103U 3PT4S0000C 00075 | | | 75A | HBL103UQ 3PT4S0000C 00075 | | | |
| | 100A | HBL103U 3PT4S0000C 00100 | | | 100A | HBL103UQ 3PT4S0000C 00100 | | | |

50°C

| Model / Breaking capacity at AC380 / 415V | Rated current | 3 pole, Non-E1 class | | Model / Breaking capacity at AC380 / 415V | Rated current | 3 pole, E1 class | | Specification | Category |
|---|---------------|--------------------------|-----------|---|---------------|---------------------------|-----------|---|----------|
| | | Code | Unit (EA) | | | Code | Unit (EA) | | |
| HBL103U 150kA | 15A | HBL103U 3PT5S0000C 00015 | | HBL103UQ 150kA | 15A | HBL103UQ 3PT5S0000C 00015 | | 50°C, Screw type terminal connection, No option, 50/60Hz | MCCB /M1 |
| | 20A | HBL103U 3PT5S0000C 00020 | | | 20A | HBL103UQ 3PT5S0000C 00020 | | | |
| | 30A | HBL103U 3PT5S0000C 00030 | | | 30A | HBL103UQ 3PT5S0000C 00030 | | | |
| | 40A | HBL103U 3PT5S0000C 00040 | | | 40A | HBL103UQ 3PT5S0000C 00040 | | | |
| | 50A | HBL103U 3PT5S0000C 00050 | | | 50A | HBL103UQ 3PT5S0000C 00050 | | | |
| | 60A | HBL103U 3PT5S0000C 00060 | | | 60A | HBL103UQ 3PT5S0000C 00060 | | | |
| | 75A | HBL103U 3PT5S0000C 00075 | | | 75A | HBL103UQ 3PT5S0000C 00075 | | | |
| | 100A | HBL103U 3PT5S0000C 00100 | | | 100A | HBL103UQ 3PT5S0000C 00100 | | | |

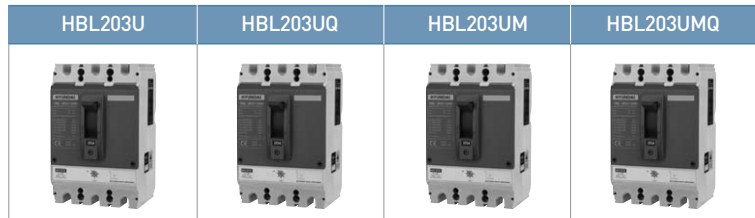
• Adjustable instantaneous only / recommended for motor protection

| Model / Breaking capacity at AC380 / 415V | Rated current | 3 pole, Non-E1 class | | Model / Breaking capacity at AC380 / 415V | Rated current | 3 pole, E1 class | | Specification | Category |
|---|---------------|---------------------------|-----------|---|---------------|----------------------------|-----------|--|----------|
| | | Code | Unit (EA) | | | Code | Unit (EA) | | |
| HBL103UM 150kA | 2.5A | HBL103UM 3PMPS0000C 002.5 | | HBL103UMQ 150kA | 2.5A | HBL103UMQ 3PMPS0000C 002.5 | | Screw type terminal connection, No option, 50/60Hz | MCCB /M4 |
| | 3.2A | HBL103UM 3PMPS0000C 003.2 | | | 3.2A | HBL103UMQ 3PMPS0000C 003.2 | | | |
| | 6.3A | HBL103UM 3PMPS0000C 006.3 | | | 6.3A | HBL103UMQ 3PMPS0000C 006.3 | | | |
| | 12.5A | HBL103UM 3PMPS0000C 012.5 | | | 12.5A | HBL103UMQ 3PMPS0000C 012.5 | | | |
| | 20A | HBL103UM 3PMPS0000C 00020 | | | 20A | HBL103UMQ 3PMPS0000C 00020 | | | |
| | 32A | HBL103UM 3PMPS0000C 00032 | | | 32A | HBL103UMQ 3PMPS0000C 00032 | | | |
| | 50A | HBL103UM 3PMPS0000C 00050 | | | 50A | HBL103UMQ 3PMPS0000C 00050 | | | |
| | 63A | HBL103UM 3PMPS0000C 00063 | | | 63A | HBL103UMQ 3PMPS0000C 00063 | | | |
| | 80A | HBL103UM 3PMPS0000C 00080 | | | 80A | HBL103UMQ 3PMPS0000C 00080 | | | |
| | 100A | HBL103UM 3PMPS0000C 00100 | | | 100A | HBL103UMQ 3PMPS0000C 00100 | | | |

Specifications and Standard Order Codes

| Q-class (for nuclear power plant application) / HBL type 225AF |

HBL203U 85kA
 HBL203UQ 85kA
 HBL203UM 85kA
 HBL203UMQ 85kA



| | | | | | | |
|--|---|--------------------------------|-----------|------------------------------|-----------|-----------|
| Number of poles (P) | | 3 | | | | |
| Degree of protection (with terminal cover) | | IP20 | | | | |
| Utilization category | | A | | | | |
| Suitability of isolation | | O | | | | |
| Protection | | overload, inst., short-circuit | | instantaneous, short-circuit | | |
| Rating | Rated current (A) | 125, 150, 175, 200, 225 | | | | |
| | Rated insulation voltage [Ui] (V) | AC750 | | | | |
| | Rated operational voltage [Ue] (V) | AC690 | | | | |
| | Rated impulse withstand voltage [Uimp] (kV) | DC500 | | | | |
| Rated short-circuit breaking capacity | Ultimate [Icu] (kA r.m.s.) | AC660/690V, 50-60Hz | 25 | 25 | 25 | 25 |
| | | AC480/500V, 50-60Hz | 85 | 85 | 85 | 85 |
| | | AC440/460V, 50-60Hz | 100 | 100 | 100 | 100 |
| | | AC380/415V, 50-60Hz | 150 | 150 | 150 | 150 |
| | | AC220/240V, 50-60Hz | 200 | 200 | 200 | 200 |
| | IEC 60947-2 K 60947-2 | DC250V | 100 | 100 | 100 | 100 |
| | | DC125V | 100 | 100 | 100 | 100 |
| Service [Ics] % of [Icu] | 100 | | | | | |
| Trip mechanism & Protection | Thermal magnetic | Fixed thermal, INST | O | | - | |
| | | Fixed instantaneous | 10×In | | - | |
| | | Adjustable instantaneous | - | | (6-13)×In | |
| Q-class | Non-E1 | O | - | O | - | |
| | E1 | - | O | - | O | |
| Mounting | Direct mounting by screw | O | | | | |
| | Plug-in | for Both line & load side | O | | | |
| Switchboard Line side only | | O | | | | |
| Terminal connection | Screw | O | | | | |
| | Bus bar | O | | | | |
| Durability (times) | Mechanical operation | 25,000 | | | | |
| | Electrical operation | 10,000 | | | | |
| Dimensions (mm) | | a Width | 105 | | | |
| | | b Height | 165 | | | |
| | | c Depth | 86.5 | | | |
| | | d | 112 | | | |
| Weight (kg, breaker only) | 3P | 2.0 | | | | |

* - The breaking capacity highlighted with blue and thick type is standard nominal value for each model in this catalogue.

| Accessories |

- Signal

| | | | | | | |
|----------------------------------|----------------------|-------------|-------------|-------------|-------------|-------------|
| Auxiliary switch | 1ab, Right-hand-side | | | | | |
| | AUX 12UP R1 | | | | | |
| Trip alarm switch | 1ab, Left-hand-side | | | | | |
| | ALT 12UP L1 | | | | | |
| Shunt trip ¹⁾ | DC24V | DC100-110V | AC100-120V | AC200-230V | AC380-415V | AC440-480V |
| | SHT 12UP A | SHT 12UP C | SHT 12UP F | SHT 12UP H | SHT 12UP B | SHT 12UP D |
| Under voltage trip ²⁾ | DC24V | DC100-110V | AC100-120V | AC200-230V | AC380-415V | AC440-480V |
| | *UVT 12UP J | *UVT 12UP L | *UVT 12UP N | *UVT 12UP P | *UVT 12UP Q | *UVT 12UP R |

* Signal accessories shall be installed in breaker before ex-working.

1) The permissible operating voltage: 85-110% of rated voltage for AC , 75-125% for DC

2) The permissible operating voltage: 85-110% of rated voltage(AC), 85-125% of rated voltage(DC)

The tripping voltage: 20-70% of rated voltage(AC/DC)

*Reset is possible without power.

• Operating

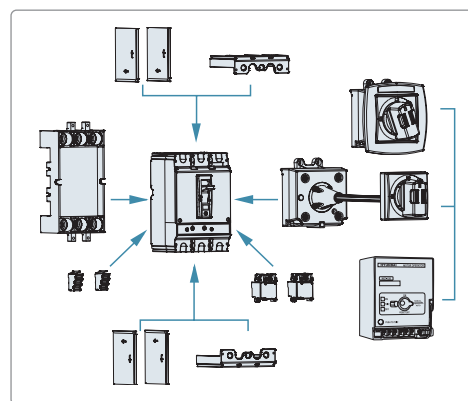
| | | | | |
|--------------------------------|------------------------|---------------------|-----------------|-----------------|
| Operating handle ¹⁾ | Power supply direction | | Upper | Left |
| | Surface | HBL203U, HBL203UM | TFG 20U U4 | TFG 20U L4 |
| | | HBL203UQ, HBL203UMQ | TFG 20UQ U4 | TFG 20UQ L4 |
| | Extended | HBL203U, HBL203UM | | TFH 20U |
| HBL203UQ, HBL203UMQ | | | TFH 20UQ | |
| Motor operator ²⁾ | | DC24V | AC/DC110V | AC/DC220V |
| | | MOT 12UP DC24 | MOT 12UP ADC110 | MOT 12UP ADC220 |
| Mechanical interlock | | | MIF | |

※ 1) For detail type information, please refer to page no. 191-199.
 2) Motor operator is not recommended for marine application.

• Mounting

| | | | | |
|---------|------------------|---------------------------|--------------------|---|
| Plug-in | Structure | For both line & load side | For line side only | |
| | Mounting base | TDM 12NEP | TDM 12NEF | |
| | Connection block | 6C contact | CBM 26NE 6 | - |
| | | 12C contact | CBM 26NE 12 | - |

※ Connection blocks are required for internal accessory installation in both line & load side plug-in type 3P breaker.



• Terminal

| | | |
|---------------------------------|---------|------------|
| Terminal bus bar | 6EA/SET | TBB 12NE 3 |
| Cage terminal block | 3EA/SET | CTB |
| | 6EA/SET | CTB |
| Terminal cover ¹⁾ | | TCF 12UP 3 |
| Interpole barrier ²⁾ | 4EA/SET | TQQ 12NE |

※ 1) For both line and load side of MCCB, 2EA shall be ordered.
 2) Supplied as standard component

| Standard order code and unit |

• Fixed thermal & fixed instantaneous

40/45°C

| Model / Breaking capacity at AC380 / 415V | Rated current | 3 pole, Non-E1 class | | Model / Breaking capacity at AC380 / 415V | Rated current | 3 pole, E1 class | | Specification | Category |
|---|---------------|--------------------------|-----------|---|---------------|---------------------------|-----------|--|----------|
| | | Code | Unit (EA) | | | Code | Unit (EA) | | |
| HBL203U 150kA | 125A | HBL203U 3PT4S0000C 00125 | | HBL203UQ 150kA | 125A | HBL203UQ 3PT4S0000C 00125 | | 40/45°C, Screw type terminal connection, No option, 50/60Hz | MCCB /M1 |
| | 150A | HBL203U 3PT4S0000C 00150 | | | 150A | HBL203UQ 3PT4S0000C 00150 | | | |
| | 175A | HBL203U 3PT4S0000C 00175 | | | 175A | HBL203UQ 3PT4S0000C 00175 | | | |
| | 200A | HBL203U 3PT4S0000C 00200 | | | 200A | HBL203UQ 3PT4S0000C 00200 | | | |
| | 225A | HBL203U 3PT4S0000C 00225 | | | 225A | HBL203UQ 3PT4S0000C 00225 | | | |

50°C

| Model / Breaking capacity at AC380 / 415V | Rated current | 3 pole, Non-E1 class | | Model / Breaking capacity at AC380 / 415V | Rated current | 3 pole, E1 class | | Specification | Category |
|---|---------------|--------------------------|-----------|---|---------------|---------------------------|-----------|---|----------|
| | | Code | Unit (EA) | | | Code | Unit (EA) | | |
| HBL203U 150kA | 125A | HBL203U 3PT5S0000C 00125 | | HBL203UQ 150kA | 125A | HBL203UQ 3PT5S0000C 00125 | | 50°C, Screw type terminal connection, No option, 50/60Hz | MCCB /M1 |
| | 150A | HBL203U 3PT5S0000C 00150 | | | 150A | HBL203UQ 3PT5S0000C 00150 | | | |
| | 175A | HBL203U 3PT5S0000C 00175 | | | 175A | HBL203UQ 3PT5S0000C 00175 | | | |
| | 200A | HBL203U 3PT5S0000C 00200 | | | 200A | HBL203UQ 3PT5S0000C 00200 | | | |
| | 225A | HBL203U 3PT5S0000C 00225 | | | 225A | HBL203UQ 3PT5S0000C 00225 | | | |

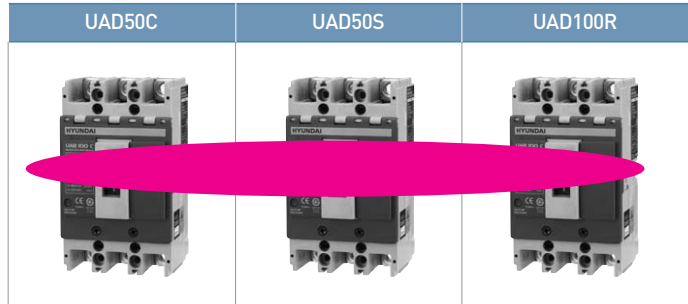
• Adjustable instantaneous only / recommended for motor protection

| Model / Breaking capacity at AC380 / 415V | Rated current | 3 pole, Non-E1 class | | Model / Breaking capacity at AC380 / 415V | Rated current | 3 pole, E1 class | | Specification | Category |
|---|---------------|---------------------------|-----------|---|---------------|----------------------------|-----------|--|----------|
| | | Code | Unit (EA) | | | Code | Unit (EA) | | |
| HBL203UM 150kA | 125A | HBL203UM 3PMPS0000C 00125 | | HBL203UMQ 150kA | 125A | HBL203UMQ 3PMPS0000C 00125 | | Screw type terminal connection, No option, 50/60Hz | MCCB /M4 |
| | 150A | HBL203UM 3PMPS0000C 00150 | | | 150A | HBL203UMQ 3PMPS0000C 00150 | | | |
| | 175A | HBL203UM 3PMPS0000C 00175 | | | 175A | HBL203UMQ 3PMPS0000C 00175 | | | |
| | 200A | HBL203UM 3PMPS0000C 00200 | | | 200A | HBL203UMQ 3PMPS0000C 00200 | | | |
| | 225A | HBL203UM 3PMPS0000C 00225 | | | 225A | HBL203UMQ 3PMPS0000C 00225 | | | |

Specifications and Standard Order Codes

| Switch disconnecter / UAD type 50-100AF |

UAD50C
UAD50S
UAD100R



| | | UAD50C | UAD50S | UAD100R | | |
|--|---|---|-----------------------|---------|-----|-----|
| Ampere frame size | | 50AF | | 100AF | | |
| Number of poles (P) | | 3 | 3 | 3 | | |
| Degree of protection (with terminal cover) | | IP20 | IP20 | IP20 | | |
| Utilization category | | A | A | A | | |
| Suitability of isolation | | O | O | O | | |
| Rating | Coventional thermal current [I _{th}] (A) | | | | | |
| | Rated current (A) | 50 | 50 | 100 | | |
| | Rated insulation voltage [U _i] (V) | AC690 | AC690 | AC690 | | |
| | Rated operational voltage [U _e] (V) | AC660 | AC660 | AC660 | | |
| | | DC250 | DC500 | DC250 | | |
| | Rated impulse withstand voltage [U _{imp}] (kV) | 6 | 6 | 6 | | |
| | Rated short-circuit making capacity [I _{cm}] (kA) | | | | | |
| Rated short-time withstand current for 1sec. [I _{cw}] (kA) | | | | | | |
| Capability | Switching | at 1.5xI _n (times) | | | | |
| | | max. opening current at ≤ 1sec. | | | | |
| | Operational performance | with current (times) / load condition | | | | |
| | | without current (times) / no-load condition | | | | |
| Power-frequency withstand voltage for 1min. (kV) | | | | | | |
| Durability (times) | Mechanical operation | 25,000 | 25,000 | 25,000 | | |
| | Electrical operation | 15,000 | 15,000 | 10,000 | | |
| Mounting | Direct mounting by screw | | O | O | O | |
| | Plug-in | for | Both line & load side | O | O | O |
| | | Switchboard | Line side only | O | O | O |
| | | for Distribution board | | O | O | O |
| DIN-rail | with DIN-rail adaptor | | – | O | O | |
| Terminal connection | | Screw | | O | O | O |
| Dimensions (mm) | | 3P | a Width | 75 | 75 | 75 |
| | | | b Height | 130 | 130 | 130 |
| | | | c Depth | 60 | 60 | 60 |
| | | | d | 82 | 82 | 82 |
| Weight (kg, breaker only) | | 3P | | | | |

Accessories

Signal

| | | | | | | | |
|----------------------------------|----------------------|---------------------|----------------------|------------|------------|------------|------------|
| Auxiliary switch | 1ab, Right-hand-side | 1ab, Left-hand-side | 2ab, Right-hand-side | | | | |
| | UAD50C | AUX 10A R1 | — | AUX 10A R2 | | | |
| | UAD50S, UAD100R | AUX 10UA R1 | AUX 10UA L1 | | | | |
| Trip alarm switch | 1ab, Right-hand-side | 1ab, Left-hand-side | | | | | |
| | UAD50C | ALT 10A R1 | — | | | | |
| | UAD50S, UAD100R | ALT 10UA R1 | ALT 10UA L1 | | | | |
| Shunt trip ¹⁾ | DC24V | DC100-110V | AC100-120V | AC200-230V | AC380-415V | AC440-480V | |
| | UAD50C | SHT 10A A | SHT 10A C | SHT 10A F | SHT 10A H | | |
| | UAD50S, UAD100R | SHT 10UA A | SHT 10UA C | SHT 10UA F | SHT 10UA H | SHT 10UA B | SHT 10UA D |
| Under voltage trip ²⁾ | DC24V | DC100-110V | AC100-120V | AC200-230V | AC380-415V | AC440-480V | |
| | UAD50C | *UVT 10A J | *UVT 10A L | *UVT 10A N | *UVT 10A P | *UVT 10A Q | *UVT 10A R |
| | UAD50S, UAD100R | UVT 10UA J | UVT 10UA L | UVT 10UA N | UVT 10UA P | UVT 10UA Q | UVT 10UA R |

- ※ 1) The permissible operating voltage: 85-110% of rated voltage for AC, 75-125% for DC
- 2) The permissible operating voltage: 85-110% of rated voltage(AC), 85-125% of rated voltage(DC)
The tripping voltage: 20-70% of rated voltage(AC/DC)
*Reset is possible without power.

Operating

| | | | | | | | | |
|--------------------------------|------------------------|----------------|----------------|---------------|-----------------|-----------------|--------------|--------------|
| Operating handle ¹⁾ | Power supply direction | UAD50C | | | UAD50S, UAD100R | | | |
| | | Upper | Right | Left | Upper | Right | Left | |
| | Surface | S type | TFG 10AS U4 | TFG 10AS R4 | TFG 10AS L4 | TFG 10UAS U4 | TFG 10UAS R4 | TFG 10UAS L4 |
| | | L type | TFG 10AL U4 | — | TFG 10AL L4 | TFG 10UAL U4 | — | TFG 10UAL L4 |
| | Extended | S type | TFH 10AS | | | TFH 10UAS | | |
| L type | | TFH 10AL | | | TFH 10UAL | | | |
| Motor operator ²⁾ | DC24V | AC/DC110V | AC/DC220V | DC24V | AC/DC110V | AC/DC220V | | |
| | MOT 10A DC24 | MOT 10A ADC110 | MOT 10A ADC220 | MOT 10UA DC24 | MOT 10UA ADC110 | MOT 10UA ADC220 | | |

- ※ 1) For detail type information, please refer to page no. 191-199.
- 2) Motor operator is not recommended for marine application.

Mounting

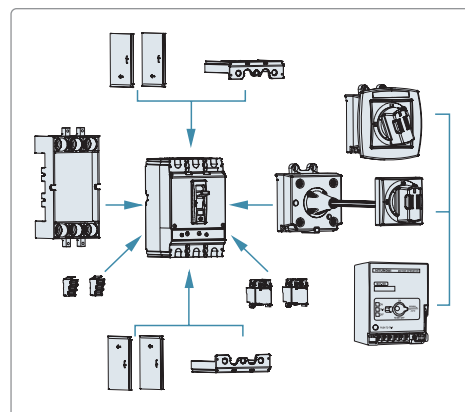
| | | | |
|---------|----------------------|---------------------------|--------------------|
| Plug-in | Structure | For both line & load side | For line side only |
| | Mounting base | TDM 10AP | TDF 10A |
| | Connection | 2C contact | — |
| | block | 3C contact | — |
| | Conn · block barrier | CBM BARR | — |

- ※ Available for UAD50S, UAD100R
Connection blocks are required for internal accessory installation in both line & load side plug-in type 3P breaker.

Terminal

| | | |
|---------------------------------|---------|------------|
| Cage terminal block | 3EA/SET | CTB 3S50 |
| | 6EA/SET | CTB 6S50 |
| Terminal cover ¹⁾ | | TCF 10AP 3 |
| Interpole barrier ²⁾ | 4EA/SET | TQQ 10A |

- ※ 1) For both line and load side of MCCB, 2EA shall be ordered.
- 2) Supplied as standard component
Required quantity for both line and load side of MCCB: 4EA



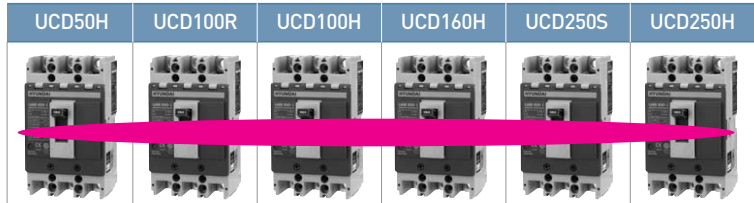
Standard order code and unit

| Model | Rated current | 3 pole | | Originated MCCB model | Specification | Category |
|---------|---------------|-------------------------|-----------|-----------------------|---|----------|
| | | Code | Unit [EA] | | | |
| UAD50C | 50A | UAD50C 3PDS0000C 00050 | | UAB50C | 40/45°C, Screw type terminal connection, No option, 50/60Hz | MCCB/M5 |
| UAD50S | 50A | UAD50S 3PDS0000C 00050 | | UAB50S | | |
| UAD100R | 100A | UAD100R 3PDS0000C 00100 | | UAB100R | | |

Specifications and Standard Order Codes

| Switch disconnecter / UCD 50-250AF |

UCD50H
UCD100R UCD100H
UCD160H UCD250S UCD250H



| | | UCD50H | UCD100R | UCD100H | UCD160H | UCD250S | UCD250H | | |
|--|--|---------------------------------------|----------|---------|---------|---------|---------|-----|------|
| Ampere frame size | | 50AF | 100AF | 125AF | 160AF | 250AF | | | |
| Number of poles (P) | | 3 | 3 | 3 | 3 | 3 | 3 | | |
| Degree of protection (with terminal cover) | | IP20 | IP20 | IP20 | IP20 | IP20 | IP20 | | |
| Utilization category | | A | A | A | A | A | A | | |
| Suitability of isolation | | O | O | O | O | O | O | | |
| Rating | Conventional thermal current [Ith] (A) | | | | | | | | |
| | Rated current (A) | 50 | 100 | 125 | 160 | 250 | 250 | | |
| | Rated insulation voltage [Ui] (V) | AC690 | AC690 | AC690 | AC690 | AC690 | AC690 | | |
| | Rated operational voltage [Ue] (V) | AC660 | AC660 | AC660 | AC660 | AC660 | AC660 | | |
| | | DC250 | DC500 | DC250 | DC250 | DC250 | DC250 | | |
| | Rated impulse withstand voltage [Uimp] (kV) | 6 | 6 | 6 | 6 | 6 | 6 | | |
| | Rated short-circuit making capacity [Icm] (kA) | | | | | | | | |
| Capability | Switching | at 1.5xIn (times) | | | | | | | |
| | | max. opening current at ≤ 1sec. | | | | | | | |
| | Operational performance | with current (times) / load condition | | | | | | | |
| without current (times) / no-load condition | | | | | | | | | |
| Power-frequency withstand voltage for 1min. (kV) | | | | | | | | | |
| Durability (times) | Mechanical operation | 25,000 | 25,000 | 25,000 | 25,000 | 25,000 | 25,000 | | |
| | Electrical operation | 10,000 | 10,000 | 10,000 | 10,000 | 10,000 | 10,000 | | |
| Mounting | Direct mounting by screw | | O | O | O | O | O | | |
| | Plug-in | for Switchboard | O | O | O | O | O | | |
| | | Both line & load side | O | O | O | O | O | | |
| | | Line side only | O | O | O | O | O | | |
| for Distribution board | | O | O | O | O | O | | | |
| Terminal connection | Screw | | O | O | O | O | O | | |
| | Bus bar | | - | - | - | O | O | | |
| Dimensions (mm) | | 3P | a Width | 90 | 90 | 90 | 105 | 105 | 105 |
| | | | b Height | 155 | 155 | 155 | 165 | 164 | 165 |
| | | | c Depth | 60 | 60 | 60 | 60 | 60 | 60 |
| | | | d | 84.5 | 84.5 | 84.5 | 84.5 | 84 | 84.5 |
| Weight (kg, breaker only) | | 3P | | | | | | | |

| Accessories |

- Signal

| Auxiliary switch | 1ab, Right-hand-side | 1ab, Left-hand-side | 2ab, Right-hand-side |
|-----------------------------------|----------------------|---------------------|----------------------|
| UCD100R | - | AUX 10B L1 | - |
| UCD250S | - | AUX 20C L1 | - |
| UCD50H, UCD100H, UCD160H, UCD250H | AUX 12FG R1 | - | AUX 12FG R2 |
| Trip alarm switch | 1ab, Right-hand-side | 1ab, Left-hand-side | |
| UCD100R | - | ALT 10B L1 | |
| UCD250S | - | ALT 20C L | |
| UCD50H, UCD100H, UCD160H, UCD250H | ALT 12FG R1 | ALT 12FG L1 | |

• Signal

| | | | | | | |
|--|------------|------------|------------|------------|------------|------------|
| Shunt trip¹⁾ | DC24V | DC100-110V | AC100-120V | AC200-230V | AC380-415V | AC440-480V |
| UCD100R | SHT 10B A | SHT 10B C | SHT 10B F | SHT 10B H | | |
| UCD250S | SHT 20C A | SHT 20C C | SHT 20C F | SHT 20C H | | |
| UCD50H, UCD100H, UCD160H, UCD250H | SHT 12FG A | SHT 12FG C | SHT 12FG F | SHT 12FG H | SHT 12FG B | SHT 12FG D |
| Under voltage trip²⁾ | DC24V | DC100-110V | AC100-120V | AC200-230V | AC380-415V | AC440-480V |
| UCD100R | UVT 10B J | UVT 10B L | UVT 10B N | UVT 10B P | UVT 10B Q | UVT 10B R |
| UCD250S | UVT 20C J | UVT 20C L | UVT 20C N | UVT 20C P | UVT 20C Q | UVT 20C R |
| UCD50H, UCD100H, UCD160H, UCD250H | UVT 12FG J | UVT 12FG L | UVT 12FG N | UVT 12FG P | UVT 12FG Q | UVT 12FG R |

※ 1) The permissible operating voltage: 85-110% of rated voltage for AC , 75-125% for DC
 2) The permissible operating voltage: 85-110% of rated voltage(AC), 85-125% of rated voltage(DC)
 The tripping voltage: 20-70% of rated voltage(AC/DC)

• Operating

| | | | | | | | | | | |
|--------------------------------------|-------------------------------|----------------|----------------|--------------|----------------|----------------|--------------|-----------------------------------|----------------|--------------|
| Operating handle¹⁾ | Power supply direction | UCD100R | | | UCD250S | | | UCD50H, UCD100H, UCD160H, UCD250H | | |
| | Surface | Upper | Right | Left | Upper | Right | Left | Upper | Right | Left |
| | | S type | TFG 10BS U4 | TFG 10BS R4 | TFG 10BS L4 | TFG 20CS U4 | TFG 20CS R4 | TFG 20CS L4 | TFG 20UGS U4 | TFG 20UGS R4 |
| | L type | TFG 10BL U4 | — | TFG 10BL L4 | TFG 20CL U4 | — | TFG 20CL L4 | TFG 20UGL U4 | — | TFG 20UGL L4 |
| | Extended | S type | TFH 10BS | | | TFH 20CS | | | TFH 20UGS | |
| L type | TFH 10BL | | | TFH 20CL | | | TFH 20UGL | | | |
| Motor operator²⁾ | DC24V | AC/DC110V | AC/DC220V | DC24V | AC/DC110V | AC/DC220V | DC24V | AC/DC110V | AC/DC220V | |
| | MOT 10B DC24 | MOT 10B ADC110 | MOT 10B ADC220 | MOT 20C DC24 | MOT 20C ADC110 | MOT 20C ADC220 | MOT 20G DC24 | MOT 20G ADC110 | MOT 20G ADC220 | |

※ 1) For detail type information, please refer to page no. 191-199.
 2) Motor operator is not recommended for marine application.

• Mounting

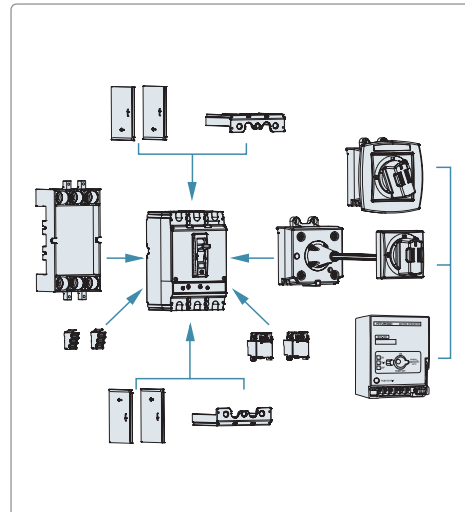
| | | | | | |
|-----------------------------|----------------------|---------------------------|--------------------|---------------------------|--------------------|
| Plug-in¹⁾ | Structure | UCD50H, UCD100R, UCD100H | | UCD160H, UCD250S, UCD250H | |
| | Mounting base | For both line & load side | For line side only | For both line & load side | For line side only |
| | 2C contact | TDM 10BP | TDF 10B | TDM 20CF ¹⁾ | TDM 20CF |
| | 3C/5C contact | CBM 10AB 2 | — | CBM 20C 2 | — |
| | Conn. block barrier | CBM 10AB 3 ²⁾ | — | CBM 20C 5 ²⁾ | — |
| | | CBM BARR | — | — | — |

※ Connection blocks are required for internal accessory installation in both line & load side plug-in type 3P breaker.
 1) 2EA are required for both line & load side plug-in type 3P breaker.
 2) CBM 10AB 3: 3C, CBM 20C 5: 5C

• Terminal

| | | | | | |
|---------------------------------------|------------|-----------------|-----------|------------------|----------|
| Terminal bus bar | UCD100R | UCD50H, UCD100H | UCD250S | UCD160H, UCD250H | |
| | — | — | TBB 20C 3 | | |
| Cage terminal block | 3EA/SET | CTB 3S100 | | CTB 3S250 | |
| | 6EA/SET | CTB 6S100 | | CTB 6S250 | |
| Terminal cover¹⁾ | TCF 10BP 3 | TCF 10FP 3 | TCF 20C 3 | TCF 20GP 3 | |
| Interpole barrier²⁾ | 2EA/SET | TQQ 10B | TQQ 10FG | TQQ 20C | TQQ 12FG |

※ 1) For both line and load side of MCCB, 2EA shall be ordered.
 2) Supplied as standard component
 Required quantity for both line and load side of MCCB: 4EA



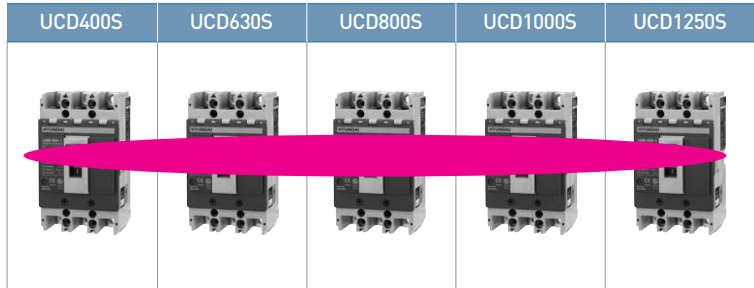
Standard order code and unit

| Model | Rated current | 3 pole | | Originated MCCB model | Specification | Category |
|---------|---------------|-------------------------|-----------|-----------------------|---|----------|
| | | Code | Unit [EA] | | | |
| UCD50H | 50A | UCD50H 3PDS0000C 00050 | | UCB50H | 40/45°C, Screw type terminal connection, No option, 50/60Hz | MCCB/M5 |
| UCD100R | 100A | UCD100R 3PDS0000C 00100 | | UCB100R | | |
| UCD100H | 125A | UCD100H 3PDS0000C 00125 | | UCB100H | | |
| UCD160H | 160A | UCD160H 3PDS0000C 00160 | | UCB160H | | |
| UCD250S | 250A | UCD250S 3PDS0000C 00250 | | UCB250S | | |
| UCD250H | 250A | UCD250H 3PDS0000C 00250 | | UCB250H | | |

Specifications and Standard Order Codes

| Switch disconnecter / UCD 400-1250AF |

UCD400S
UCD630S UCD800S
UCD1000S UCD1250S



| | | UCD400S | UCD630S | UCD800S | UCD1000S | UCD1250S | | |
|---|--|---|--------------------|--------------------|--------------------|--------------------|-----|-----|
| Ampere frame size | | 400AF | 630AF | 800AF | 1000AF | 1250AF | | |
| Number of poles (P) | | 3 | 3 | 3 | 3 | 3 | | |
| Degree of protection | | IP20 ¹⁾ | IP20 ¹⁾ | IP20 ¹⁾ | IP20 ²⁾ | IP20 ²⁾ | | |
| Utilization category | | A | A | A | A | A | | |
| Suitability of isolation | | ○ | ○ | ○ | ○ | ○ | | |
| Rating | Coventional thermal current [Ith] (A) | | | | | | | |
| | Rated current (A) | 400 | 630 | 800 | 1,000 | 1,250 | | |
| | Rated insulation voltage [Ui] (V) | AC690 | AC690 | AC690 | AC750 | AC750 | | |
| | Rated operational voltage [Ue] (V) | AC660 | AC660 | AC660 | AC690 | AC690 | | |
| | | DC250 | DC500 | DC250 | | | | |
| | Rated impulse withstand voltage [Uimp] (kV) | 6 | 6 | 6 | 8 | 8 | | |
| | Rated short-circuit making capacity [Icm] (kA) | | | | | | | |
| Rated short-time withstand current for 1sec. [Icw] (kA) | | | | | | | | |
| Capability | Switching | at 1.5xIn (times) | | | | | | |
| | | max. opening current at ≤ 1sec. | | | | | | |
| | Operational performance | with current (times) / load condition | | | | | | |
| | | without current (times) / no-load condition | | | | | | |
| Power-frequency withstand voltage for 1min. (kV) | | | | | | | | |
| Durability (times) | Mechanical operation | 20,000 | 20,000 | 10,000 | 10,000 | 10,000 | | |
| | Electrical operation | 6,000 | 6,000 | 3,000 | 3,000 | 3,000 | | |
| Mounting | Direct mounting by screw | | ○ | ○ | ○ | - | - | |
| | Plug-in | for Switchboard | | | | | | |
| | | Both line & load side | ○ | ○ | ○ | - | - | |
| | | Line side only | ○ | ○ | ○ | - | - | |
| Terminal connection | Screw | | ○ | ○ | ○ | - | - | |
| | Bus bar | | ○ | ○ | ○ | ○ | ○ | |
| Dimensions (mm) | | 3P | a Width | 140 | 210 | 210 | 210 | 210 |
| | | | b Height | 257 | 280 | 280 | 370 | 370 |
| | | | c Depth | 110 | 110 | 110 | 110 | 110 |
| | | | d | 145 | 145 | 145 | 159 | 159 |
| Weight (kg, breaker only) | | 3P | | | | | | |

※ 1) IP20 without terminal bus bar
2) IP20 terminal cover

Accessories

Signal

| | | | | | | | |
|----------------------------------|------------------------|----------------------|----------------------|-------------|-------------|-------------|-------------|
| Auxiliary switch | 1ab, Left-hand-side | 1ab, Right-hand-side | 2ab, Right-hand-side | | | | |
| | UCD400, UCD630, UCD800 | AUX 46D L1 | — | — | | | |
| | UCD1000, UCD1250 | — | AUX 80NE R1 | AUX 80NE R2 | | | |
| Trip alarm switch | 1ab, Left-hand-side | 1ab, Right-hand-side | | | | | |
| | UCD400, UCD630, UCD800 | ALT 46D L1 | — | | | | |
| | UCD1000, UCD1250 | — | ALT 80NE R1 | | | | |
| Shunt trip ¹⁾ | | DC24V | DC100-110V | AC100-120V | AC200-230V | AC380-415V | AC440-480V |
| | UCD400, UCD630, UCD800 | SHT 46D A | SHT 46D C | SHT 46D F | SHT 46D H | SHT 46D B | SHT 46D D |
| | UCD1000, UCD1250 | SHT 120NE A | SHT 120NE C | SHT 120NE F | SHT 120NE H | SHT 120NE B | SHT 120NE D |
| Under voltage trip ²⁾ | | DC24V | DC100-110V | AC100-120V | AC200-230V | AC380-415V | AC440-480V |
| | UCD400, UCD630, UCD800 | *UVT 46D J | *UVT 46D L | *UVT 46D N | *UVT 46D P | *UVT 46D Q | *UVT 46D R |
| | UCD1000, UCD1250 | UVT 120NE J | UVT 120NE L | UVT 120NE N | UVT 120NE P | UVT 120NE Q | UVT 120NE R |

- ※ 1) The permissible operating voltage: 85-110% of rated voltage for AC, 75-125% for DC
- 2) The permissible operating voltage: 85-110% of rated voltage(AC), 85-125% of rated voltage(DC)
The tripping voltage: 20-70% of rated voltage(AC/DC)
- *Reset is possible without power.

Operating

| | | | | | | | | |
|--------------------------------|------------------------|--------|------------------------|----------------|----------------|------------------|-----------------|-----------------|
| Operating handle ¹⁾ | Power supply direction | | UCD400, UCD630, UCD800 | | | | | |
| | Surface | S type | Upper | Right | Left | | | |
| | Extended | S type | TFG 46DS U2 | TFG 46DS R2 | TFG 46DS L2 | | | |
| | | | TFH 46DS | — | | | | |
| Motor operator ²⁾ | | | UCD400, UCD630, UCD800 | | | UCD1000, UCD1250 | | |
| | | | DC24V | AC/DC110V | AC/DC220V | DC24V | AC/DC110V | AC/DC220V |
| | | | MOT 40D DC24 | MOT 40D ADC110 | MOT 40D ADC220 | MOT 80NE DC24 | MOT 80NE ADC110 | MOT 80NE ADC220 |
| Extension handle ³⁾ | | | THA 46D | | | THA 80NE | | |

- ※ 1) For detail type information, please refer to page no. 191-199.
- 2) Motor operator is not recommended for marine application.
- 3) Supplied as standard component

Mounting

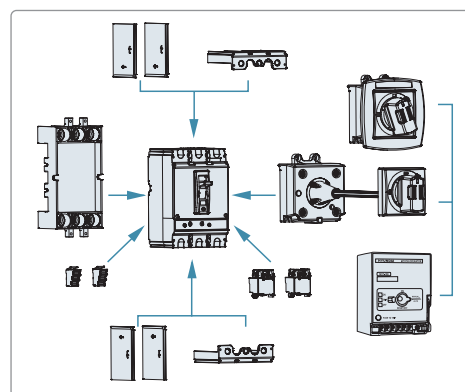
| | | | | | | |
|---------|------------------|------------|---------------------------|--------------------|---------------------------|--------------------|
| Plug-in | Structure | | UCD400 | | UCD630, UCD800 | |
| | | | For both line & load side | For line side only | For both line & load side | For line side only |
| | Mounting base | | TDM 4BA ¹⁾ | TDM 4BA | TDM 5BA ¹⁾ | TDM 5BA |
| | Connection block | 2C contact | TYA 5/2 ²⁾ | — | TYA 5/2 ²⁾ | — |
| | | 5C contact | TYA 5/5 ²⁾ | — | TYA 5/5 ²⁾ | — |

- ※ Connection blocks are required for internal accessory installation in both line & load side plug-in type 3P breaker.
- 1) 2EA are required for both line & load side plug-in type 3P breaker.
- 2) TYA type connection blocks are to be installed with separate mounting angle. Separate mounting angle is not supplied.

Terminal

| | | | | | |
|---------------------------------|---------|----------|----------------|----------------|------------------|
| | | UCD400 | UCD630, UCD800 | UCD630, UCD800 | UCD1000, UCD1250 |
| Terminal bus bar | | TBB 4S 3 | TBB 6S 3 | TBB 8S 3 | — |
| Interpole barrier ¹⁾ | 2EA/SET | TQQ 4BA | TQQ 5BA | | TQQ 80NE |

- ※ 1) Supplied as standard component
Required quantity for both line and load side of MCCB: 4EA



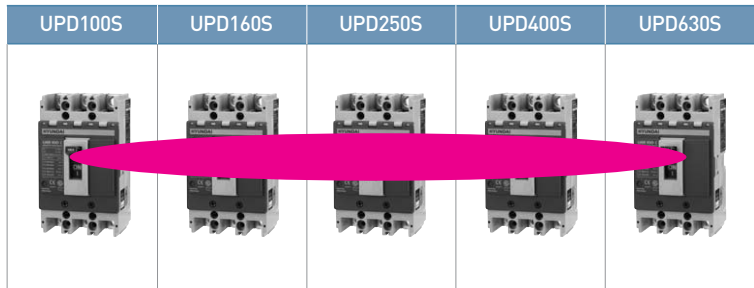
Standard order code and unit

| Model | Rated current | 3 pole | | Originated MCCB model | Specification | Category |
|----------|---------------|--------------------------|-----------|-----------------------|---|----------|
| | | Code | Unit (EA) | | | |
| UCD400S | 400A | UCD400S 3PDS0000C 00400 | | UCB400S | 40/45°C, Screw type terminal connection, No option, 50/60Hz | MCCB/M5 |
| UCD630S | 630A | UCD630S 3PDS0000C 00630 | | UCB630S | | |
| UCD800S | 800A | UCD800S 3PDS0000C 00800 | | UCB800S | | |
| UCD1000S | 1000A | UCD1000S 3PDS0000C 01000 | | UCB1000S | 40/45°C, Bus bar type terminal connection, No option, 50/60Hz | |
| UCD1250S | 1250A | UCD1250S 3PDS0000C 01250 | | UCB1250S | | |

Specifications and Standard Order Codes

| Switch disconnecter / UPD type 125-630AF |

UPD100S
 UPD160S UPD250S
 UPD400S UPD630S



| | | UPD100S | UPD160S | UPD250S | UPD400S | UPD630S | |
|---|--|---|---------|---------|---------|---------|-------|
| Ampere frame size | | 125AF | 160AF | 250AF | 400AF | 630AF | |
| Number of poles (P) | | 3 | 3 | 3 | 3 | 3 | |
| Degree of protection (with terminal cover) | | IP20 | IP20 | IP20 | IP20 | IP20 | |
| Utilization category | | A | A | A | A | A | |
| Suitability of isolation | | ○ | ○ | ○ | ○ | ○ | |
| Rating | Coventional thermal current [Ith] (A) | | | | | | |
| | Rated current (A) | 125 | 160 | 250 | 400 | 630 | |
| | Rated insulation voltage [Ui] (V) | AC750 | AC750 | AC750 | AC750 | AC750 | |
| | Rated operational voltage [Ue] (V) | AC690 | AC690 | AC690 | AC690 | AC690 | |
| | | DC500 | DC500 | DC500 | | | |
| | Rated impulse withstand voltage [Uimp] (kV) | 8 | 8 | 8 | 8 | 8 | |
| | Rated short-circuit making capacity [Icm] (kA) | | | | | | |
| Rated short-time withstand current for 1sec. [Icw] (kA) | | | | | | | |
| Capability | Switching | at 1.5xIn (times) | | | | | |
| | | max. opening current at ≤ 1sec. | | | | | |
| | Operational performance | with current (times) / load condition | | | | | |
| | | without current (times) / no-load condition | | | | | |
| Power-frequency withstand voltage for 1min. (kV) | | | | | | | |
| Durability (times) | Mechanical operation | 25,000 | 25,000 | 25,000 | 20,000 | 20,000 | |
| | Electrical operation | 10,000 | 10,000 | 10,000 | 6,000 | 6,000 | |
| Mounting | Direct mounting by screw | | ○ | ○ | ○ | ○ | |
| | Plug-in | for Switchboard | | | | | |
| | | Both line & load side | ○ | ○ | ○ | ○ | ○ |
| Line side only | ○ | ○ | ○ | ○ | ○ | | |
| Terminal connection | Screw | | ○ | ○ | ○ | ○ | |
| | Bus bar | | ○ | ○ | ○ | ○ | |
| Dimensions (mm) | 3P | a Width | 105 | 105 | 105 | 140 | 140 |
| | | b Height | 165 | 165 | 165 | 255 | 255 |
| | | c Depth | 86.5 | 86.5 | 86.5 | 117 | 117 |
| | | d | 112 | 112 | 112 | 159.5 | 159.5 |
| Weight (kg, breaker only) | 3P | | | | | | |

Accessories |

• Signal

| | | | | | | |
|--------------------|--|----------------------------|----------------------------|----------------------------|----------------------------|----------------------------|
| Auxiliary switch | 1ab, Right-hand-side | 1ab, Left-hand-side | | | | |
| | UPD100, UPD160, UPD250 UPD400, UPD630 | AUX 12UP R1 — | — AUX 46UP L1 | | | |
| Trip alarm switch | 1ab, Right-hand-side | 1ab, Left-hand-side | | | | |
| | UPD100, UPD160, UPD250 UPD400, UPD630 | — ALT 46UP R1 | ALT 12UP L1 — | | | |
| Shunt trip | DC24V | DC100-110V | AC100-120V | AC200-230V | AC380-415V | AC440-480V |
| | UPD100, UPD160, UPD250 UPD400, UPD630 | SHT 12UP A SHT 46UP A | SHT 12UP C SHT 46UP C | SHT 12UP F SHT 46UP F | SHT 12UP H SHT 46UP H | SHT 12UP B SHT 46UP B |
| Under voltage trip | DC24V | DC100-110V | AC100-120V | AC200-230V | AC380-415V | AC440-480V |
| | UPD100, UPD160, UPD250 UPD400, UPD630 | *UVT 12UP J *UVT 46UP J | *UVT 12UP L *UVT 46UP L | *UVT 12UP N *UVT 46UP N | *UVT 12UP P *UVT 46UP P | *UVT 12UP Q *UVT 46UP Q |

- ※ 1) The permissible operating voltage: 85-110% of rated voltage for AC, 75-125% for DC
- 2) The permissible operating voltage: 85-110% of rated voltage(AC), 85-125% of rated voltage(DC)
The tripping voltage: 20-70% of rated voltage(AC/DC)
- *Reset is possible without power.

• Operating

| | | UPD100, UPD160, UPD250 | | | UPD400, UPD630 | | |
|--------------------------------|------------------------|------------------------|------------------------------|------------------------------|------------------------|------------------------------|------------------------------|
| Operating handle ¹⁾ | Power supply direction | Upper | Right | Left | Upper | Right | Left |
| | | Surface | S type TFG 12UPS U4 | TFG 12UPS R4 | TFG 12UPS L4 | TFG 46UPS U2 | TFG 46UPS R2 |
| | Extended | L type TFG 12UPL U4 | — | TFG 12UPL L4 | — | — | — |
| | | S type TFH 12UPS | TFH 12UPL | | | TFH 46UPS | |
| | L type | — | | | — | | |
| Motor operator ²⁾ | | DC24V MOT 12UP DC24 | AC/DC110V MOT 12UP ADC110 | AC/DC220V MOT 12UP ADC220 | DC24V MOT 46UP DC24 | AC/DC110V MOT 46UP ADC110 | AC/DC220V MOT 46UP ADC220 |
| Mechanical interlock | | MIF | | | MIF | | |
| Extension handle ³⁾ | | — | | | THA 46UP | | |

- ※ 1) For detail type information, please refer to page no. 191-199.
- 2) Motor operator is not recommended for marine application.
- 3) Supplied as standard component

• Mounting

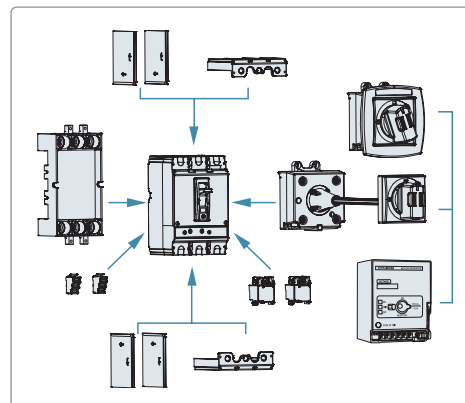
| | | UPD100, UPD160, UPD250 | | UPD400, UPD630 | |
|-------------|------------------|---------------------------|--------------------|---------------------------|--------------------|
| Plug-in | Structure | For both line & load side | For line side only | For both line & load side | For line side only |
| | Mounting base | TDM 12NEP | TDM 12NEF | TDM 46NEP | TDM 46NEF |
| | Connection block | 6C contact | CBM 26NE 6 | — | CBM 26NE 6 |
| 12C contact | | CBM 26NE 12 | — | CBM 26NE 12 | — |

※ Connection blocks are required for internal accessory installation in both line & load side plug-in type 3P breaker.

• Terminal

| | | UPD100 | UPD160 | UPD250 | UPD400 | UPD630 |
|---------------------------------|---------|------------|------------|------------|------------|------------|
| Terminal bus bar | 6EA/SET | — | TBB 12NE 3 | TBB 12NE 3 | TBB 40NE 3 | TBB 60NE 3 |
| Cage terminal block | 3EA/SET | CTB | CTB | CTB | CTB | — |
| | 6EA/SET | CTB | CTB | CTB | CTB | — |
| Terminal cover ¹⁾ | | TCF 12UP 3 | | | TCF 46UP 3 | |
| Interpole barrier ²⁾ | 4EA/SET | TQQ 12NE | | | TQQ 46NE | |

- ※ 1) For both line and load side of MCCB, 2EA shall be ordered.
- 2) Supplied as standard component





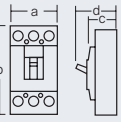
Standard order code and unit |

| Model | Rated current | 3 pole | | Originated MCCB model | Specification | Category |
|---------|---------------|-------------------------|-----------|-----------------------|---|----------|
| | | Code | Unit (EA) | | | |
| UPD100S | 125A | UPD100S 3PDS0000C 00125 | | UPB100S | 40/45°C, Screw type terminal connection, No option, 50/60Hz | MCCB/M5 |
| UPD160S | 160A | UPD160S 3PDS0000C 00160 | | UPB160S | | |
| UPD250S | 250A | UPD250S 3PDS0000C 00250 | | UPB250S | | |
| UPD400S | 400A | UPD400S 3PDS0000C 00400 | | UPB400S | | |
| UPD630S | 630A | UPD630S 3PDS0000C 00630 | | UPB630S | | |

Specifications and Standard Order Codes

| Miniature type / Molded case circuit breaker 30AF |

UBD30L 5kA
UBD30H 5kA

| | | UBD30L | UBD30H | | |
|---------------------------------------|---|---|---|------|----|
| | |  |  | | |
| Ampere frame size | | 30AF | | | |
| Number of poles (P) | | 2 | | | |
| Degree of protection | | IP20 | | | |
| Utilization category | | A | | | |
| Protection | | overload, short-circuit | | | |
| Rating | Rated current [A] | 15,20,30 | | | |
| | Rated insulation voltage [Ui] [V] | AC250 | | | |
| | Rated operational voltage [Ue] [V] | AC220 | | | |
| | Rated impulse withstand voltage [Uimp] [kV] | 6 | | | |
| Rated short-circuit breaking capacity | Ultimate [Icu] [kA r.m.s.] | AC220/240V, 50-60Hz | | | |
| | Service [Ics] % of [Icu] | 50 | | | |
| IEC 60947-2 K 60947-2 | | | | | |
| Trip mechanism | Thermal magnetic | ○ | | | |
| Mounting | Direct mounting by screw | ○ | | | |
| | DIN-rail | - | ○ | | |
| Terminal connection | Screw | ○ | | | |
| Dimensions (mm) |  | a | Width | 35 | |
| | | b | Height | 82.5 | |
| | | c | Depth | 42 | 60 |
| | | d | | 54.6 | 76 |
| Weight (kg, breaker only) | 2/3P | 0.12 | 0.14 | | |

* - The breaking capacity highlighted with blue and thick type is standard nominal value for each model in this catalogue.

| Standard order code and unit |

40/45°C

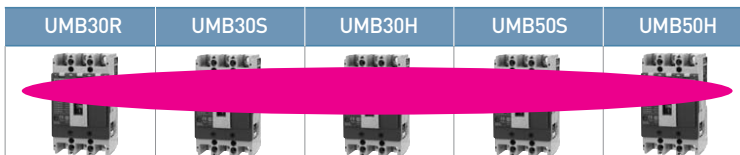
| Model / Breaking capacity at AC220 / 240V | Rated current | 2 pole | | Specification | Category |
|---|---------------|-------------------------|-----------|--|----------|
| | | Code | Unit [EA] | | |
| UBD30L 5kA | 15A | UBD30L 2PT4S0000C 00015 | | Fixed thermal & fixed instantaneous trip 40/45°C, Screw type terminal connection, No option, 50/60Hz | MCCB/M1 |
| | 20A | UBD30L 2PT4S0000C 00020 | | | |
| | 30A | UBD30L 2PT4S0000C 00030 | | | |
| UBD30H 5kA | 15A | UBD30H 2PT4S0000C 00015 | | | |
| | 20A | UBD30H 2PT4S0000C 00020 | | | |
| | 30A | UBD30H 2PT4S0000C 00030 | | | |

50°C

| Model / Breaking capacity at AC220 / 240V | Rated current | 2 pole | | Specification | Category |
|---|---------------|-------------------------|-----------|---|----------|
| | | Code | Unit [EA] | | |
| UBD30L 5kA | 15A | UBD30L 2PT5S0000C 00015 | | Fixed thermal & fixed instantaneous trip 50°C, Screw type terminal connection, No option, 50/60Hz | MCCB/M1 |
| | 20A | UBD30L 2PT5S0000C 00020 | | | |
| | 30A | UBD30L 2PT5S0000C 00030 | | | |
| UBD30H 5kA | 15A | UBD30H 2PT5S0000C 00015 | | | |
| | 20A | UBD30H 2PT5S0000C 00020 | | | |
| | 30A | UBD30H 2PT5S0000C 00030 | | | |

| Miniature type / Molded case circuit breaker 30-50AF |

UMB30R 2.5kA
 UMB30S 5kA UMB30H 10kA
 UMB50S 5kA UMB50H 10kA



| | | | | | | |
|---|---|-------------------------|-----|------|-------------------------|------|
| Ampere frame size | | 30AF | | | 50AF | |
| Number of poles (P) | | 2 | | | 2 | |
| Degree of protection | | IP20 | | | IP20 | |
| Utilization category | | A | | | A | |
| Protection | | overload, short-circuit | | | overload, short-circuit | |
| Rating | Rated current [A] | 15, 20, 30 | | | 15, 20, 30, 40, 50 | |
| | Rated insulation voltage [Ui] [V] | AC250 | | | AC250 | |
| | Rated operational voltage [Ue] [V] | AC220 | | | AC220 | |
| | Rated impulse withstand voltage [Uimp] [kV] | 6 | | | 6 | |
| Rated short-circuit breaking capacity IEC 60947-2 K 60947-2 | Ultimate [Icu] [kA r.m.s.] | AC220/240V, 50-60Hz | 2.5 | 5 | 10 | 5 |
| | Service [Ics] % of [Icu] | | | 50 | | 50 |
| Trip mechanism | Hydraulic magnetic | | ○ | ○ | ○ | ○ |
| | Thermal magnetic | | ○ | ○ | ○ | ○ |
| Mounting | Direct mounting by screw | | ○ | ○ | | ○ |
| | DIN-rail | | ○ | ○ | | ○ |
| Terminal connection | Screw | | ○ | ○ | | ○ |
| Dimensions (mm) | | a Width | 33 | | 35 | 35 |
| | | b Height | 70 | | 80 | 80 |
| | | c Depth | 42 | | 60 | 60 |
| | | d | 57 | | 76 | 76 |
| Weight (kg, breaker only) | 2/3P | | 0.1 | 0.13 | | 0.15 |

※ - The breaking capacity highlighted with blue and thick type is standard nominal value for each model in this catalogue.

| Standard order code and unit |

40/45°C

| Model / Breaking capacity at AC220 / 240V | Rated current | 2 pole | | Specification | Category |
|---|---------------|-------------------------|-----------|--|----------|
| | | Code | Unit (EA) | | |
| UMB30R 2.5kA | 15A | UMB30R 2PT4S0000C 00015 | | Hydraulic magnetic trip 40/45°C, Screw type terminal connection, No option, 50/60Hz | MCCB/M1 |
| | 20A | UMB30R 2PT4S0000C 00020 | | | |
| | 30A | UMB30R 2PT4S0000C 00030 | | | |
| UMB30S 5kA | 15A | UMB30S 2PT4S0000C 00015 | | | |
| | 20A | UMB30S 2PT4S0000C 00020 | | | |
| | 30A | UMB30S 2PT4S0000C 00030 | | | |
| UMB30H 10kA | 15A | UMB30H 2PT4S0000C 00015 | | | |
| | 20A | UMB30H 2PT4S0000C 00020 | | | |
| | 30A | UMB30H 2PT4S0000C 00030 | | | |
| UMB50S 5kA | 15A | UMB50S 2PT4S0000C 00015 | | | |
| | 20A | UMB50S 2PT4S0000C 00020 | | | |
| | 30A | UMB50S 2PT4S0000C 00030 | | | |
| | 40A | UMB50S 2PT4S0000C 00040 | | | |
| UMB50H 10kA | 50A | UMB50S 2PT4S0000C 00050 | | | |
| | 15A | UMB50H 2PT4S0000C 00015 | | | |
| | 20A | UMB50H 2PT4S0000C 00020 | | | |
| | 30A | UMB50H 2PT4S0000C 00030 | | | |
| | 40A | UMB50H 2PT4S0000C 00040 | | | |
| | 50A | UMB50H 2PT4S0000C 00050 | | | |

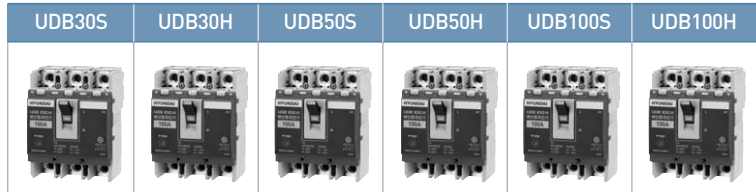
50°C

| Model / Breaking capacity at AC220 / 240V | Rated current | 2 pole | | Specification | Category |
|---|---------------|-------------------------|-----------|---|----------|
| | | Code | Unit (EA) | | |
| UMB30R 2.5kA | 15A | UMB30R 2PT5S0000C 00015 | | Hydraulic magnetic trip 50°C, Screw type terminal connection, No option, 50/60Hz | MCCB/M1 |
| | 20A | UMB30R 2PT5S0000C 00020 | | | |
| | 30A | UMB30R 2PT5S0000C 00030 | | | |
| UMB30S 5kA | 15A | UMB30S 2PT5S0000C 00015 | | | |
| | 20A | UMB30S 2PT5S0000C 00020 | | | |
| | 30A | UMB30S 2PT5S0000C 00030 | | | |
| UMB30H 10kA | 15A | UMB30H 2PT5S0000C 00015 | | | |
| | 20A | UMB30H 2PT5S0000C 00020 | | | |
| | 30A | UMB30H 2PT5S0000C 00030 | | | |
| UMB50S 5kA | 15A | UMB50S 2PT5S0000C 00015 | | | |
| | 20A | UMB50S 2PT5S0000C 00020 | | | |
| | 30A | UMB50S 2PT5S0000C 00030 | | | |
| | 40A | UMB50S 2PT5S0000C 00040 | | | |
| UMB50H 10kA | 50A | UMB50S 2PT5S0000C 00050 | | | |
| | 15A | UMB50H 2PT5S0000C 00015 | | | |
| | 20A | UMB50H 2PT5S0000C 00020 | | | |
| | 30A | UMB50H 2PT5S0000C 00030 | | | |
| | 40A | UMB50H 2PT5S0000C 00040 | | | |
| | 50A | UMB50H 2PT5S0000C 00050 | | | |

Specifications and Standard Order Codes

| Miniature type / Molded case circuit breaker 30-100AF |

UDB30S 5kA
 UDB30H 10kA UDB50S 5kA
 UDB50H 10kA UDB100S 5kA UDB100H 10kA



| | | UDB30S | UDB30H | UDB50S | UDB50H | UDB100S | UDB100H | |
|---|---|-------------------------------------|----------|----------------------------|----------|---------------------------------|----------|----|
| Ampere frame size | | 30AF | | 50AF | | 100AF | | |
| Number of poles (P) | | 2, 3 | | 2, 3 | | *2, 3 | | |
| Degree of protection | | IP20 | | IP20 | | IP20 | | |
| Utilization category | | A | | A | | A | | |
| Protection | | overload, short-circuit | | overload, short-circuit | | overload, short-circuit | | |
| Rating | Rated current [A] | 3 ¹⁾ , 5, 10, 15, 20, 30 | | 5, 10, 15, 20, 30, 40, 50 | | 15, 20, 30, 40, 50, 60, 75, 100 | | |
| | Rated insulation voltage [Ui] [V] | AC460 | | AC460 | | AC460 | | |
| | Rated operational voltage [Ue] [V] | 2P: AC220 3P: AC220/460 | | 2P: AC220 3P: AC220/460 | | 2P: AC220 3P: AC220/460 | | |
| | Rated impulse withstand voltage [Uimp] [kV] | 6 | | 6 | | 6 | | |
| Rated short-circuit breaking capacity IEC 60947-2 K 60947-2 | Ultimate [Icu] [kA r.m.s.] | AC440/460V, 50-60Hz | 2.5 | 5-10A: 2.5 15-30A: 5 | 2.5 | 5-10A: 2.5 15-50A: 5 | 2.5 | 5 |
| | | AC380/415V, 50-60Hz | 2.5 | 5-10A: 2.5 15-30A: 5 | 2.5 | 5-10A: 2.5 15-50A: 5 | 2.5 | 5 |
| | | AC220/240V, 50-60Hz | 5 | 5-10A: 5 15-30A: 10 | 5 | 5-10A: 5 15-50A: 10 | 5 | 10 |
| | Service [Ics] % of [Icu] | 50 | | 50 | | 50 | | |
| Trip mechanism | Hydraulic magnetic | | ○ | | ○ | | | |
| Mounting | Direct mounting by screw | | ○ | | ○ | | | |
| | DIN-rail | | ○ | | ○ | | | |
| Terminal connection | Screw | | ○ | | ○ | | | |
| Dimensions (mm) | | 2/3P | a Width | 50/75 | 50/75 | 75 ²⁾ /75 | | |
| | | | b Height | 96 | 96 | 96 | | |
| | | | c Depth | 60 | 60 | 60 | | |
| | | | d | 80 | 80 | 80 | | |
| Weight (kg, breaker only) | 2/3P | | 0.2/0.35 | | 0.2/0.35 | | 0.2/0.35 | |

※ - The breaking capacity highlighted with blue and thick type is standard nominal value for each model in this catalogue.

1) 3A is not applicable for UDB30H.

2) *2P breaker has same dimension with 3P breaker, but the middle pole is removed.

| Accessories |

• Signal

| | | | | | | |
|--------------------------|----------------------|--------------------|------------|------------|------------|------------|
| Auxiliary switch | 1ab, Right-hand-side | AUX 10UD R1 | | | | |
| Trip alarm switch | 1ab, Right-hand-side | 2 pole ALT 10UD R1 | | | | |
| | 3 pole | ALT 10UD R2 | | | | |
| Shunt trip ¹⁾ | DC24V | DC100-110V | AC100-120V | AC200-230V | AC380-415V | AC440-480V |
| | SHT 10UD A | SHT 10UD C | SHT 10UD F | SHT 10UD H | SHT 10UD B | SHT 10UD D |

※ 1) The permissible operating voltage: 85-110% of rated voltage for AC, 75-125% for DC

• Terminal

| | | |
|---------------------------------|---------|---------|
| Terminal cover ¹⁾ | 2 pole | TCF____ |
| | 3 pole | TCF____ |
| Interpole barrier ²⁾ | 2EA/SET | TQQ 10A |

※ 1) For both line and load side of MCCB, 2EA shall be ordered.

2) Supplied as standard component

Required quantity for both line and load side of MCCB: 2 pole 2EA, 3 pole 4EA

| Standard order code and unit |

40/45°C

| Model / Breaking capacity at AC380 / 415V | Rated current | 2 pole | | 3 pole | | Specification | Category |
|--|------------------|--------------------------|--------------|--------------------------|--------------|--|-------------|
| | | Code | Unit (EA) | Code | Unit (EA) | | |
| UDB30S 5kA | 3A | UDB30S 2PT4S0000C 00003 | | UDB30S 3PT4S0000C 00003 | | Hydraulic magnetic trip 40/45°C, Screw type terminal connection, No option, 50/60Hz | MCCB /M1 |
| | 5A | UDB30S 2PT4S0000C 00005 | | UDB30S 3PT4S0000C 00005 | | | |
| | 10A | UDB30S 2PT4S0000C 00010 | | UDB30S 3PT4S0000C 00010 | | | |
| | 15A | UDB30S 2PT4S0000C 00015 | | UDB30S 3PT4S0000C 00015 | | | |
| | 20A | UDB30S 2PT4S0000C 00020 | | UDB30S 3PT4S0000C 00020 | | | |
| | 30A | UDB30S 2PT4S0000C 00030 | | UDB30S 3PT4S0000C 00030 | | | |
| UDB30H 10kA | 5A | UDB30H 2PT4S0000C 00005 | | UDB30H 3PT4S0000C 00005 | | | |
| | 10A | UDB30H 2PT4S0000C 00010 | | UDB30H 3PT4S0000C 00010 | | | |
| | 15A | UDB30H 2PT4S0000C 00015 | | UDB30H 3PT4S0000C 00015 | | | |
| | 20A | UDB30H 2PT4S0000C 00020 | | UDB30H 3PT4S0000C 00020 | | | |
| | 30A | UDB30H 2PT4S0000C 00030 | | UDB30H 3PT4S0000C 00030 | | | |
| UDB50S 5kA | 5A | UDB50S 2PT4S0000C 00005 | | UDB50S 3PT4S0000C 00005 | | | |
| | 10A | UDB50S 2PT4S0000C 00010 | | UDB50S 3PT4S0000C 00010 | | | |
| | 15A | UDB50S 2PT4S0000C 00015 | | UDB50S 3PT4S0000C 00015 | | | |
| | 20A | UDB50S 2PT4S0000C 00020 | | UDB50S 3PT4S0000C 00020 | | | |
| | 30A | UDB50S 2PT4S0000C 00030 | | UDB50S 3PT4S0000C 00030 | | | |
| | 40A | UDB50S 2PT4S0000C 00040 | | UDB50S 3PT4S0000C 00040 | | | |
| | 50A | UDB50S 2PT4S0000C 00050 | | UDB50S 3PT4S0000C 00050 | | | |
| UDB50H 10kA | 5A | UDB50H 2PT4S0000C 00005 | | UDB50H 3PT4S0000C 00005 | | | |
| | 10A | UDB50H 2PT4S0000C 00010 | | UDB50H 3PT4S0000C 00010 | | | |
| | 15A | UDB50H 2PT4S0000C 00015 | | UDB50H 3PT4S0000C 00015 | | | |
| | 20A | UDB50H 2PT4S0000C 00020 | | UDB50H 3PT4S0000C 00020 | | | |
| | 30A | UDB50H 2PT4S0000C 00030 | | UDB50H 3PT4S0000C 00030 | | | |
| | 40A | UDB50H 2PT4S0000C 00040 | | UDB50H 3PT4S0000C 00040 | | | |
| | 50A | UDB50H 2PT4S0000C 00050 | | UDB50H 3PT4S0000C 00050 | | | |
| UDB100S 5kA | 15A | UDB100S 2PT4S0000C 00015 | | UDB100S 3PT4S0000C 00015 | | | |
| | 20A | UDB100S 2PT4S0000C 00020 | | UDB100S 3PT4S0000C 00020 | | | |
| | 30A | UDB100S 2PT4S0000C 00030 | | UDB100S 3PT4S0000C 00030 | | | |
| | 40A | UDB100S 2PT4S0000C 00040 | | UDB100S 3PT4S0000C 00040 | | | |
| | 50A | UDB100S 2PT4S0000C 00050 | | UDB100S 3PT4S0000C 00050 | | | |
| | 60A | UDB100S 2PT4S0000C 00060 | | UDB100S 3PT4S0000C 00060 | | | |
| | 75A | UDB100S 2PT4S0000C 00075 | | UDB100S 3PT4S0000C 00075 | | | |
| | 100A | UDB100S 2PT4S0000C 00100 | | UDB100S 3PT4S0000C 00100 | | | |
| UDB100H 10kA | 15A | UDB100H 2PT4S0000C 00015 | | UDB100H 3PT4S0000C 00015 | | | |
| | 20A | UDB100H 2PT4S0000C 00020 | | UDB100H 3PT4S0000C 00020 | | | |
| | 30A | UDB100H 2PT4S0000C 00030 | | UDB100H 3PT4S0000C 00030 | | | |
| | 40A | UDB100H 2PT4S0000C 00040 | | UDB100H 3PT4S0000C 00040 | | | |
| | 50A | UDB100H 2PT4S0000C 00050 | | UDB100H 3PT4S0000C 00050 | | | |
| | 60A | UDB100H 2PT4S0000C 00060 | | UDB100H 3PT4S0000C 00060 | | | |
| | 75A | UDB100H 2PT4S0000C 00075 | | UDB100H 3PT4S0000C 00075 | | | |
| | 100A | UDB100H 2PT4S0000C 00100 | | UDB100H 3PT4S0000C 00100 | | | |

Specifications and Standard Order Codes



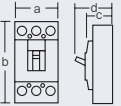
| Standard order code and unit |

40/45°C

| Model / Breaking capacity at AC380 / 415V | Rated current | 2 pole | | 3 pole | | Specification | Category |
|--|------------------|--------------------------|--------------|--------------------------|--------------|---|-------------|
| | | Code | Unit (EA) | Code | Unit (EA) | | |
| UDB30S 5kA | 3A | UDB30S 2PT5S0000C 00003 | | UDB30S 3PT5S0000C 00003 | | Hydraulic magnetic trip 50°C, Screw type terminal connection, No option, 50/60Hz | MCCB /M1 |
| | 5A | UDB30S 2PT5S0000C 00005 | | UDB30S 3PT5S0000C 00005 | | | |
| | 10A | UDB30S 2PT5S0000C 00010 | | UDB30S 3PT5S0000C 00010 | | | |
| | 15A | UDB30S 2PT5S0000C 00015 | | UDB30S 3PT5S0000C 00015 | | | |
| | 20A | UDB30S 2PT5S0000C 00020 | | UDB30S 3PT5S0000C 00020 | | | |
| | 30A | UDB30S 2PT5S0000C 00030 | | UDB30S 3PT5S0000C 00030 | | | |
| UDB30H 10kA | 5A | UDB30H 2PT5S0000C 00005 | | UDB30H 3PT5S0000C 00005 | | | |
| | 10A | UDB30H 2PT5S0000C 00010 | | UDB30H 3PT5S0000C 00010 | | | |
| | 15A | UDB30H 2PT5S0000C 00015 | | UDB30H 3PT5S0000C 00015 | | | |
| | 20A | UDB30H 2PT5S0000C 00020 | | UDB30H 3PT5S0000C 00020 | | | |
| | 30A | UDB30H 2PT5S0000C 00030 | | UDB30H 3PT5S0000C 00030 | | | |
| UDB50S 5kA | 5A | UDB50S 2PT5S0000C 00005 | | UDB50S 3PT5S0000C 00005 | | | |
| | 10A | UDB50S 2PT5S0000C 00010 | | UDB50S 3PT5S0000C 00010 | | | |
| | 15A | UDB50S 2PT5S0000C 00015 | | UDB50S 3PT5S0000C 00015 | | | |
| | 20A | UDB50S 2PT5S0000C 00020 | | UDB50S 3PT5S0000C 00020 | | | |
| | 30A | UDB50S 2PT5S0000C 00030 | | UDB50S 3PT5S0000C 00030 | | | |
| | 40A | UDB50S 2PT5S0000C 00040 | | UDB50S 3PT5S0000C 00040 | | | |
| | 50A | UDB50S 2PT5S0000C 00050 | | UDB50S 3PT5S0000C 00050 | | | |
| UDB50H 10kA | 5A | UDB50H 2PT5S0000C 00005 | | UDB50H 3PT5S0000C 00005 | | | |
| | 10A | UDB50H 2PT5S0000C 00010 | | UDB50H 3PT5S0000C 00010 | | | |
| | 15A | UDB50H 2PT5S0000C 00015 | | UDB50H 3PT5S0000C 00015 | | | |
| | 20A | UDB50H 2PT5S0000C 00020 | | UDB50H 3PT5S0000C 00020 | | | |
| | 30A | UDB50H 2PT5S0000C 00030 | | UDB50H 3PT5S0000C 00030 | | | |
| | 40A | UDB50H 2PT5S0000C 00040 | | UDB50H 3PT5S0000C 00040 | | | |
| | 50A | UDB50H 2PT5S0000C 00050 | | UDB50H 3PT5S0000C 00050 | | | |
| UDB100S 5kA | 15A | UDB100S 2PT5S0000C 00015 | | UDB100S 3PT5S0000C 00015 | | | |
| | 20A | UDB100S 2PT5S0000C 00020 | | UDB100S 3PT5S0000C 00020 | | | |
| | 30A | UDB100S 2PT5S0000C 00030 | | UDB100S 3PT5S0000C 00030 | | | |
| | 40A | UDB100S 2PT5S0000C 00040 | | UDB100S 3PT5S0000C 00040 | | | |
| | 50A | UDB100S 2PT5S0000C 00050 | | UDB100S 3PT5S0000C 00050 | | | |
| | 60A | UDB100S 2PT5S0000C 00060 | | UDB100S 3PT5S0000C 00060 | | | |
| | 75A | UDB100S 2PT5S0000C 00075 | | UDB100S 3PT5S0000C 00075 | | | |
| | 100A | UDB100S 2PT5S0000C 00100 | | UDB100S 3PT5S0000C 00100 | | | |
| UDB100H 10kA | 15A | UDB100H 2PT5S0000C 00015 | | UDB100H 3PT5S0000C 00015 | | | |
| | 20A | UDB100H 2PT5S0000C 00020 | | UDB100H 3PT5S0000C 00020 | | | |
| | 30A | UDB100H 2PT5S0000C 00030 | | UDB100H 3PT5S0000C 00030 | | | |
| | 40A | UDB100H 2PT5S0000C 00040 | | UDB100H 3PT5S0000C 00040 | | | |
| | 50A | UDB100H 2PT5S0000C 00050 | | UDB100H 3PT5S0000C 00050 | | | |
| | 60A | UDB100H 2PT5S0000C 00060 | | UDB100H 3PT5S0000C 00060 | | | |
| | 75A | UDB100H 2PT5S0000C 00075 | | UDB100H 3PT5S0000C 00075 | | | |
| | 100A | UDB100H 2PT5S0000C 00100 | | UDB100H 3PT5S0000C 00100 | | | |

| Miniature type / Earth leakage circuit breaker 30AF |

UGD30L 5kA
UGD30H 5kA

| | | UGD30L | UGD30H | |
|---|---|---|---|----|
| | |  |  | |
| Ampere frame size | | 30AF | | |
| Number of poles (P) | | 2 | | |
| Degree of protection | | IP20 | | |
| Utilization category | | A | | |
| Protection | | earth leakage, overload, short-circuit | | |
| Rating | Rated current (A) | 15, 20, 30 | | |
| | Rated residual current [I Δ n] (mA) | 15, 30 | | |
| | Rated insulation voltage [Ui] (V) | AC250 | | |
| | Rated operational voltage [Ue] (V) | AC220 | | |
| | Rated impulse withstand voltage [Uimp] (kV) | 6 | | |
| Rated operating time (sec.) | | 0.03 | | |
| Rated short-circuit breaking capacity IEC 60947-2 K 60947-2 | Ultimate [Icu] (kA r.m.s.) | AC220/240V, 50-60Hz | | |
| | Service [Ics] % of [Icu] | 50 | | |
| Earth leakage protection | Earth leakage detection | by current transformer | | |
| | Earth leakage test button | ○ | | |
| | Earth leakage indicator | - | | |
| Trip mechanism | Thermal magnetic | ○ | | |
| Mounting | Direct mounting by screw | ○ | | |
| | DIN-rail | - | ○ | |
| Terminal connection | Screw | ○ | | |
| Dimensions (mm) |  | a Width | 35 | |
| | | b Height | 82.5 | |
| | | c Depth | 42 | 60 |
| | | d | 54.6 | 76 |
| Weight (kg, breaker only) | 2/3P | 0.12 | 0.14 | |

※ - The breaking capacity highlighted with blue and thick type is standard nominal value for each model in this catalogue.

1) *2P breaker has same dimension with 3P breaker, but the middle pole is removed.

| Standard order code and unit |

15mA

| Model / Breaking capacity at AC220 / 240V | Rated current | 2 pole | | Specification | Category |
|---|------------------|-------------------------|--------------|---|----------|
| | | Code | Unit (EA) | | |
| UGD30L 5kA | 15A | UGD30L 2PG3S0000C 00015 | | Fixed thermal & fixed instantaneous trip 15mA, 40/45°C, Screw type terminal connection, No option, 50/60Hz | ELCB/M6 |
| | 20A | UGD30L 2PG3S0000C 00020 | | | |
| | 30A | UGD30L 2PG3S0000C 00030 | | | |
| UGD30H 5kA | 15A | UGD30H 2PG3S0000C 00015 | | | |
| | 20A | UGD30H 2PG3S0000C 00020 | | | |
| | 30A | UGD30H 2PG3S0000C 00030 | | | |






30mA

| Model / Breaking capacity at AC220 / 240V | Rated current | 2 pole | | Specification | Category |
|---|------------------|-------------------------|--------------|---|----------|
| | | Code | Unit (EA) | | |
| UGD30L 5kA | 15A | UGD30L 2PG4S0000C 00015 | | Fixed thermal & fixed instantaneous trip 30mA, 40/45°C, Screw type terminal connection, No option, 50/60Hz | ELCB/M6 |
| | 20A | UGD30L 2PG4S0000C 00020 | | | |
| | 30A | UGD30L 2PG4S0000C 00030 | | | |
| UGD30H 5kA | 15A | UGD30H 2PG4S0000C 00015 | | | |
| | 20A | UGD30H 2PG4S0000C 00020 | | | |
| | 30A | UGD30H 2PG4S0000C 00030 | | | |

Specifications and Standard Order Codes

Miniature type / Earth leakage circuit breaker 30-50AF |

UMG30R 2.5kA
 UMG30S 5kA UMG30H 10kA
 UMG50S 5kA UMG50H 10kA

| | | UMG30R | UMB30S | UMB30H | UMB50S | UMB50H |
|---|--|---|---|---|---|---|
| | |  |  |  |  |  |
| Ampere frame size | | 30AF | | | 50AF | |
| Number of poles (P) | | 2 | | | 2 | |
| Degree of protection | | IP20 | | | IP20 | |
| Utilization category | | A | | | A | |
| Protection | | earth leakage, overload, short-circuit | | | earth leakage, overload, short-circuit | |
| Rating | Rated current (A) | 15, 20, 30 | | | 15, 20, 30, 40, 50 | |
| | Rated residual current [I _{Δn}] (mA) | 15,30 | | | 15,30 | |
| | Rated insulation voltage [U _i] (V) | AC250 | | | AC250 | |
| | Rated operational voltage [U _e] (V) | AC220 | | | AC220 | |
| | Rated impulse withstand voltage [U _{imp}] (kV) | 6 | | | 6 | |
| | Rated operating time (sec.) | 0.03 | | | 0.03 | |
| Rated short-circuit breaking capacity IEC 60947-2 K 60947-2 | Ultimate [I _{cu}] (kA r.m.s.) | 2.5 | 5 | 10 | 5 | 10 |
| | Service [I _{cs}] % of [I _{cu}] | 50 | | | 50 | |
| Earth leakage protection | Earth leakage detection | by current transformer | | | by current transformer | |
| | Earth leakage test button | ○ | | | ○ | |
| Trip mechanism | Hydraulic magnetic | — | — | ○ | — | ○ |
| | Thermal magnetic | ○ | ○ | — | ○ | — |
| Mounting | Direct mounting by screw | °□ | | | °□ | |
| | DIN-rail | °□ | | | °□ | |
| Terminal connection | Screw | °□ | | | °□ | |
| Dimensions (mm) | a | Width | 33 | 35 | 35 | 35 |
| | b | Height | 70 | 80 | 80 | 80 |
| | c | Depth | 42 | 60 | 60 | 60 |
| | d | | 57 | 76 | 76 | 76 |
| Weight (kg, breaker only) | 2/3P | 0.1 | 0.13 | | | 0.15 |

※ - The breaking capacity highlighted with blue and thick type is standard nominal value for each model in this catalogue.

Standard order code and unit |

15mA

| Model / Breaking capacity at AC220 / 240V | Rated current | 2 pole | | Specification | Category |
|---|-------------------------|-------------------------|----------|--|----------|
| | | Code | Unit(EA) | | |
| UMG30R 2.5kA | 15A | UMG30R 2PG3S0000C 00015 | | Hydraulic magnetic trip 15mA, 40/45°C, Screw type terminal connection, No option, 50/60Hz | ELCB/M6 |
| | 20A | UMG30R 2PG3S0000C 00020 | | | |
| | 30A | UMG30R 2PG3S0000C 00030 | | | |
| UMG30S 5kA | 15A | UMG30S 2PG3S0000C 00015 | | | |
| | 20A | UMG30S 2PG3S0000C 00020 | | | |
| | 30A | UMG30S 2PG3S0000C 00030 | | | |
| UMG30H 10kA | 15A | UMG30H 2PG3S0000C 00015 | | | |
| | 20A | UMG30H 2PG3S0000C 00020 | | | |
| | 30A | UMG30H 2PG3S0000C 00030 | | | |
| UMG50S 5kA | 15A | UMG50S 2PG3S0000C 00015 | | | |
| | 20A | UMG50S 2PG3S0000C 00020 | | | |
| | 30A | UMG50S 2PG3S0000C 00030 | | | |
| | 40A | UMG50S 2PG3S0000C 00040 | | | |
| | 50A | UMG50S 2PG3S0000C 00050 | | | |
| UMG50H 10kA | 15A | UMG50H 2PG3S0000C 00015 | | | |
| | 20A | UMG50H 2PG3S0000C 00020 | | | |
| | 30A | UMG50H 2PG3S0000C 00030 | | | |
| | 40A | UMG50H 2PG3S0000C 00040 | | | |
| 50A | UMG50H 2PG3S0000C 00050 | | | | |

30mA

| Model / Breaking capacity at AC220 / 240V | Rated current | 2 pole | | Specification | Category |
|---|-------------------------|-------------------------|----------|--|----------|
| | | Code | Unit(EA) | | |
| UMG30R 2.5kA | 15A | UMG30R 2PG4S0000C 00015 | | Hydraulic magnetic trip 30mA, 40/45°C, Screw type terminal connection, No option, 50/60Hz | ELCB/M6 |
| | 20A | UMG30R 2PG4S0000C 00020 | | | |
| | 30A | UMG30R 2PG4S0000C 00030 | | | |
| UMG30S 5kA | 15A | UMG30S 2PG4S0000C 00015 | | | |
| | 20A | UMG30S 2PG4S0000C 00020 | | | |
| | 30A | UMG30S 2PG4S0000C 00030 | | | |
| UMG30H 10kA | 15A | UMG30H 2PG4S0000C 00015 | | | |
| | 20A | UMG30H 2PG4S0000C 00020 | | | |
| | 30A | UMG30H 2PG4S0000C 00030 | | | |
| UMG50S 5kA | 15A | UMG50S 2PG4S0000C 00015 | | | |
| | 20A | UMG50S 2PG4S0000C 00020 | | | |
| | 30A | UMG50S 2PG4S0000C 00030 | | | |
| | 40A | UMG50S 2PG4S0000C 00040 | | | |
| | 50A | UMG50S 2PG4S0000C 00050 | | | |
| UMG50H 10kA | 15A | UMG50H 2PG4S0000C 00015 | | | |
| | 20A | UMG50H 2PG4S0000C 00020 | | | |
| | 30A | UMG50H 2PG4S0000C 00030 | | | |
| | 40A | UMG50H 2PG4S0000C 00040 | | | |
| 50A | UMG50H 2PG4S0000C 00050 | | | | |

Miniature type / Earth leakage circuit breaker 30-100AF |

UDG30S 5kA
UDG30H 10kA UDG50S 5kA
UDG50H 10kA UDG100S 5kA UDG100H 10kA



| | | UDG30S | UDG30H | UDG50S | UDG50H | UDG100S | UDG100H | |
|--|--|--|-----------|--|-----------|--|-----------|----|
| Ampere frame size | | 30AF | | 50AF | | 100AF | | |
| Number of poles (P) | | 2, 3 | | 2, 3 | | *2, 3 | | |
| Degree of protection | | IP20 | | IP20 | | IP20 | | |
| Utilization category | | A | | A | | A | | |
| Protection | | earth leakage, overload, short-circuit | | earth leakage, overload, short-circuit | | earth leakage, overload, short-circuit | | |
| Rating | Rated current [A] | 3 ¹⁾ , 5, 10, 15, 20, 30 | | 5, 10, 15, 20, 30, 40, 50 | | 15, 20, 30, 40, 50, 60, 75, 100 | | |
| | Rated residual current [$I_{\Delta n}$] [mA] | 15, 30 | | 15, 30 | | 30, 100 | | |
| | Rated insulation voltage [U_i] [V] | AC460 | | AC460 | | AC460 | | |
| | Rated operational voltage [U_e] [V] | 2P: AC220 3P: AC220/460 | | 2P: AC220 3P: AC220/460 | | 2P: AC220 3P: AC220/460 | | |
| | Rated impulse withstand voltage [U_{imp}] [kV] | 6 | | 6 | | 6 | | |
| | Rated operating time (sec.) | 0.03 | | 0.03 | | 0.03 | | |
| Rated short-circuit breaking capacity IEC 60947-2 K 60947-2 | Ultimate [Icu] [kA r.m.s.] | AC440/460V, 50-60Hz | 2.5 | 5-10A: 2.5 15-30A: 5 | 2.5 | 5-10A: 2.5 15-50A: 5 | 2.5 | 5 |
| | | AC380/415V, 50-60Hz | 2.5 | 5-10A: 2.5 15-30A: 5 | 2.5 | 5-10A: 2.5 15-50A: 5 | 2.5 | 5 |
| | | AC220/240V, 50-60Hz | 5 | 5-10A: 5 15-30A: 10 | 5 | 5-10A: 5 15-50A: 10 | 5 | 10 |
| | Service [Ics] % of [Icu] | 50 | | 50 | | 50 | | |
| Earth leakage protection | Earth leakage detection | by current transformer | | by current transformer | | by current transformer | | |
| | Earth leakage test button | ○ | | ○ | | ○ | | |
| | Earth leakage indicator | ○ | | ○ | | ○ | | |
| Trip mechanism | Hydraulic magnetic | | ○ | | ○ | | | |
| Mounting | Direct mounting by screw | ○ | | ○ | | ○ | | |
| | DIN-rail | ○ | | ○ | | ○ | | |
| Terminal connection | Screw | | ○ | | ○ | | | |
| Dimensions (mm) | | a Width | 50/75 | | 50/75 | | 752/75 | |
| | | b Height | 96 | | 96 | | 96 | |
| | | c Depth | 60 | | 60 | | 60 | |
| | | d | 80 | | 80 | | 80 | |
| Weight (kg, breaker only) | 2/3P | | 0.33/0.44 | | 0.33/0.44 | | 0.46/0.63 | |

※ - The breaking capacity highlighted with blue and thick type is standard nominal value for each model in this catalogue.

1) 3A is not applicable for UDG30H.

2) *2P breaker has same dimension with 3P breaker, but the middle pole is removed.

Accessories |

• Signal

| | | |
|--------------------------|----------------------|--------------------|
| Auxiliary switch | 1ab, Right-hand-side | AUX 10UD R1 |
| Trip alarm switch | 1ab, Right-hand-side | 2 pole ALT 10UD R1 |
| | 3 pole | ALT 10UD R2 |

• Terminal

| | | |
|---------------------------------------|---------|----------|
| Terminal cover¹⁾ | 2 pole | TCF ____ |
| | 3 pole | TCF ____ |
| Interpole barrier²⁾ | 2EA/SET | TQQ 10A |

※ 1) For both line and load side of MCCB, 2EA shall be ordered.

2) Supplied as standard component

Required quantity for both line and load side of MCCB: 2 pole 2EA, 3 pole 4EA

Specifications and Standard Order Codes

| Standard order code and unit |

15mA

| Model / Breaking capacity at AC380 / 415V | Rated current | 2 pole | | 3 pole | | Specification | Category |
|--|-------------------------|-------------------------|-------------------------|-------------------------|--------------|--|-------------|
| | | Code | Unit (EA) | Code | Unit (EA) | | |
| UDG30S 5kA | 3A | UDG30S 2PG4S0000C 00003 | | UDG30S 3PG4S0000C 00003 | | Hydraulic magnetic trip 15mA, 40/45°C, Screw type terminal connection, No option, 50/60Hz | ELCB /M6 |
| | 5A | UDG30S 2PG4S0000C 00005 | | UDG30S 3PG4S0000C 00005 | | | |
| | 10A | UDG30S 2PG4S0000C 00010 | | UDG30S 3PG4S0000C 00010 | | | |
| | 15A | UDG30S 2PG4S0000C 00015 | | UDG30S 3PG4S0000C 00015 | | | |
| | 20A | UDG30S 2PG4S0000C 00020 | | UDG30S 3PG4S0000C 00020 | | | |
| 30A | UDG30S 2PG4S0000C 00030 | | UDG30S 3PG4S0000C 00030 | | | | |
| UDG30H 10kA | 5A | UDG30H 2PG4S0000C 00005 | | UDG30H 3PG4S0000C 00005 | | | |
| | 10A | UDG30H 2PG4S0000C 00010 | | UDG30H 3PG4S0000C 00010 | | | |
| | 15A | UDG30H 2PG4S0000C 00015 | | UDG30H 3PG4S0000C 00015 | | | |
| | 20A | UDG30H 2PG4S0000C 00020 | | UDG30H 3PG4S0000C 00020 | | | |
| | 30A | UDG30H 2PG4S0000C 00030 | | UDG30H 3PG4S0000C 00030 | | | |
| UDG50S 5kA | 5A | UDG50S 2PG4S0000C 00005 | | UDG50S 3PG4S0000C 00005 | | | |
| | 10A | UDG50S 2PG4S0000C 00010 | | UDG50S 3PG4S0000C 00010 | | | |
| | 15A | UDG50S 2PG4S0000C 00015 | | UDG50S 3PG4S0000C 00015 | | | |
| | 20A | UDG50S 2PG4S0000C 00020 | | UDG50S 3PG4S0000C 00020 | | | |
| | 30A | UDG50S 2PG4S0000C 00030 | | UDG50S 3PG4S0000C 00030 | | | |
| | 40A | UDG50S 2PG4S0000C 00040 | | UDG50S 3PG4S0000C 00040 | | | |
| | 50A | UDG50S 2PG4S0000C 00050 | | UDG50S 3PG4S0000C 00050 | | | |
| UDG50H 10kA | 5A | UDG50H 2PG4S0000C 00005 | | UDG50H 3PG4S0000C 00005 | | | |
| | 10A | UDG50H 2PG4S0000C 00010 | | UDG50H 3PG4S0000C 00010 | | | |
| | 15A | UDG50H 2PG4S0000C 00015 | | UDG50H 3PG4S0000C 00015 | | | |
| | 20A | UDG50H 2PG4S0000C 00020 | | UDG50H 3PG4S0000C 00020 | | | |
| | 30A | UDG50H 2PG4S0000C 00030 | | UDG50H 3PG4S0000C 00030 | | | |
| | 40A | UDG50H 2PG4S0000C 00040 | | UDG50H 3PG4S0000C 00040 | | | |
| | 50A | UDG50H 2PG4S0000C 00050 | | UDG50H 3PG4S0000C 00050 | | | |

30mA

| Model / Breaking capacity at AC380 / 415V | Rated current | 2 pole | | 3 pole | | Specification | Category |
|--|------------------|-------------------------|--------------|-------------------------|--------------|--|-------------|
| | | Code | Unit (EA) | Code | Unit (EA) | | |
| UDG30S 5kA | 3A | UDG30S 2PG4S0000C 00003 | | UDG30S 3PG4S0000C 00003 | | Hydraulic magnetic trip 30mA, 40/45°C, Screw type terminal connection, No option, 50/60Hz | ELCB /M6 |
| | 5A | UDG30S 2PG4S0000C 00005 | | UDG30S 3PG4S0000C 00005 | | | |
| | 10A | UDG30S 2PG4S0000C 00010 | | UDG30S 3PG4S0000C 00010 | | | |
| | 15A | UDG30S 2PG4S0000C 00015 | | UDG30S 3PG4S0000C 00015 | | | |
| | 20A | UDG30S 2PG4S0000C 00020 | | UDG30S 3PG4S0000C 00020 | | | |
| | 30A | UDG30S 2PG4S0000C 00030 | | UDG30S 3PG4S0000C 00030 | | | |
| UDG30H 10kA | 5A | UDG30H 2PG4S0000C 00005 | | UDG30H 3PG4S0000C 00005 | | | |
| | 10A | UDG30H 2PG4S0000C 00010 | | UDG30H 3PG4S0000C 00010 | | | |
| | 15A | UDG30H 2PG4S0000C 00015 | | UDG30H 3PG4S0000C 00015 | | | |
| | 20A | UDG30H 2PG4S0000C 00020 | | UDG30H 3PG4S0000C 00020 | | | |
| | 30A | UDG30H 2PG4S0000C 00030 | | UDG30H 3PG4S0000C 00030 | | | |
| UDG50S 5kA | 5A | UDG50S 2PG4S0000C 00005 | | UDG50S 3PG4S0000C 00005 | | | |
| | 10A | UDG50S 2PG4S0000C 00010 | | UDG50S 3PG4S0000C 00010 | | | |
| | 15A | UDG50S 2PG4S0000C 00015 | | UDG50S 3PG4S0000C 00015 | | | |
| | 20A | UDG50S 2PG4S0000C 00020 | | UDG50S 3PG4S0000C 00020 | | | |
| | 30A | UDG50S 2PG4S0000C 00030 | | UDG50S 3PG4S0000C 00030 | | | |
| | 40A | UDG50S 2PG4S0000C 00040 | | UDG50S 3PG4S0000C 00040 | | | |
| | 50A | UDG50S 2PG4S0000C 00050 | | UDG50S 3PG4S0000C 00050 | | | |

30mA

| Model / Breaking capacity at AC380 / 415V | Rated current | 2 pole | | 3 pole | | Specification | Category |
|--|--------------------------|--------------------------|--------------------------|--------------------------|--------------|--|-------------|
| | | Code | Unit (EA) | Code | Unit (EA) | | |
| UDG50H 10kA | 5A | UDG50H 2PG4S0000C 00005 | | UDG50H 3PG4S0000C 00005 | | Hydraulic magnetic trip 30mA, 40/45°C, Screw type terminal connection, No option, 50/60Hz | ELCB /M6 |
| | 10A | UDG50H 2PG4S0000C 00010 | | UDG50H 3PG4S0000C 00010 | | | |
| | 15A | UDG50H 2PG4S0000C 00015 | | UDG50H 3PG4S0000C 00015 | | | |
| | 20A | UDG50H 2PG4S0000C 00020 | | UDG50H 3PG4S0000C 00020 | | | |
| | 30A | UDG50H 2PG4S0000C 00030 | | UDG50H 3PG4S0000C 00030 | | | |
| | 40A | UDG50H 2PG4S0000C 00040 | | UDG50H 3PG4S0000C 00040 | | | |
| UDG100S 5kA | 15A | UDG100S 2PG4S0000C 00015 | | UDG100S 3PG4S0000C 00015 | | | |
| | 20A | UDG100S 2PG4S0000C 00020 | | UDG100S 3PG4S0000C 00020 | | | |
| | 30A | UDG100S 2PG4S0000C 00030 | | UDG100S 3PG4S0000C 00030 | | | |
| | 40A | UDG100S 2PG4S0000C 00040 | | UDG100S 3PG4S0000C 00040 | | | |
| | 50A | UDG100S 2PG4S0000C 00050 | | UDG100S 3PG4S0000C 00050 | | | |
| | 60A | UDG100S 2PG4S0000C 00060 | | UDG100S 3PG4S0000C 00060 | | | |
| | 75A | UDG100S 2PG4S0000C 00075 | | UDG100S 3PG4S0000C 00075 | | | |
| UDG100H 10kA | 100A | UDG100S 2PG4S0000C 00100 | | UDG100S 3PG4S0000C 00100 | | | |
| | 15A | UDG100H 2PG4S0000C 00015 | | UDG100H 3PG4S0000C 00015 | | | |
| | 20A | UDG100H 2PG4S0000C 00020 | | UDG100H 3PG4S0000C 00020 | | | |
| | 30A | UDG100H 2PG4S0000C 00030 | | UDG100H 3PG4S0000C 00030 | | | |
| | 40A | UDG100H 2PG4S0000C 00040 | | UDG100H 3PG4S0000C 00040 | | | |
| | 50A | UDG100H 2PG4S0000C 00050 | | UDG100H 3PG4S0000C 00050 | | | |
| | 60A | UDG100H 2PG4S0000C 00060 | | UDG100H 3PG4S0000C 00060 | | | |
| | 75A | UDG100H 2PG4S0000C 00075 | | UDG100H 3PG4S0000C 00075 | | | |
| 100A | UDG100H 2PG4S0000C 00100 | | UDG100H 3PG4S0000C 00100 | | | | |

100mA

| Model / Breaking capacity at AC380 / 415V | Rated current | 2 pole | | 3 pole | | Specification | Category |
|--|------------------|--------------------------|--------------|--------------------------|--------------|---|-------------|
| | | Code | Unit (EA) | Code | Unit (EA) | | |
| UDG100S 5kA | 15A | UDG100S 2PG5S0000C 00015 | | UDG100S 3PG5S0000C 00015 | | Hydraulic magnetic trip 100mA, 40/45°C, Screw type terminal connection, No option, 50/60Hz | ELCB /M6 |
| | 20A | UDG100S 2PG5S0000C 00020 | | UDG100S 3PG5S0000C 00020 | | | |
| | 30A | UDG100S 2PG5S0000C 00030 | | UDG100S 3PG5S0000C 00030 | | | |
| | 40A | UDG100S 2PG5S0000C 00040 | | UDG100S 3PG5S0000C 00040 | | | |
| | 50A | UDG100S 2PG5S0000C 00050 | | UDG100S 3PG5S0000C 00050 | | | |
| | 60A | UDG100S 2PG5S0000C 00060 | | UDG100S 3PG5S0000C 00060 | | | |
| | 75A | UDG100S 2PG5S0000C 00075 | | UDG100S 3PG5S0000C 00075 | | | |
| | 100A | UDG100S 2PG5S0000C 00100 | | UDG100S 3PG5S0000C 00100 | | | |
| UDG100H 10kA | 15A | UDG100H 2PG5S0000C 00015 | | UDG100H 3PG5S0000C 00015 | | | |
| | 20A | UDG100H 2PG5S0000C 00020 | | UDG100H 3PG5S0000C 00020 | | | |
| | 30A | UDG100H 2PG5S0000C 00030 | | UDG100H 3PG5S0000C 00030 | | | |
| | 40A | UDG100H 2PG5S0000C 00040 | | UDG100H 3PG5S0000C 00040 | | | |
| | 50A | UDG100H 2PG5S0000C 00050 | | UDG100H 3PG5S0000C 00050 | | | |
| | 60A | UDG100H 2PG5S0000C 00060 | | UDG100H 3PG5S0000C 00060 | | | |
| | 75A | UDG100H 2PG5S0000C 00075 | | UDG100H 3PG5S0000C 00075 | | | |
| | 100A | UDG100H 2PG5S0000C 00100 | | UDG100H 3PG5S0000C 00100 | | | |